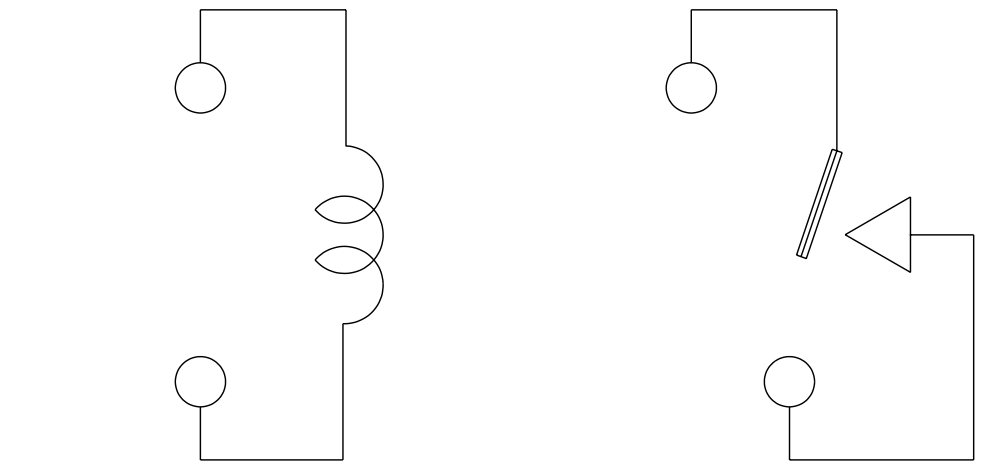
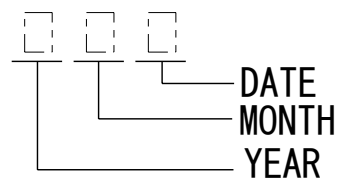


THIS DRAWING IS UNPUBLISHED. RELEASED FOR PUBLICATION  
 © COPYRIGHT BY TYCO ELECTRONICS CORPORATION. ALL RIGHTS RESERVED.

LOC	DIST	REVISIONS						
		P	LTR	DESCRIPTION	ECN	DATE	DWN	APVD
HH		B		MODIFY VENT HOLE&CORRECT MISTAKE	ECO-06-008136	21-MAR-06	F. B	C. H. HSU



(A) NOTE:  
 1. LOT NO SYSTEM AS FOLLOWS:



CONNECTION FIGURE

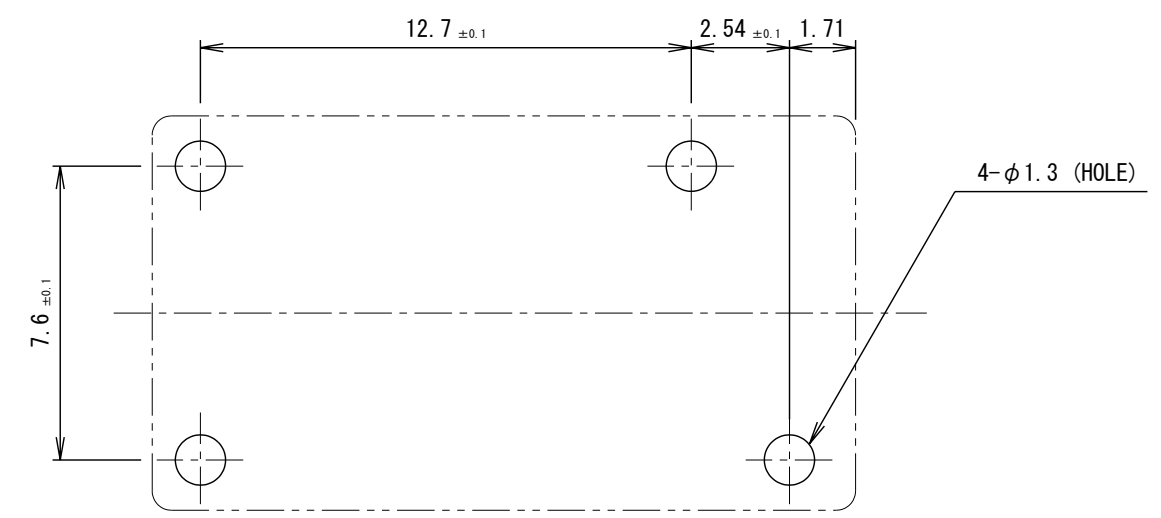
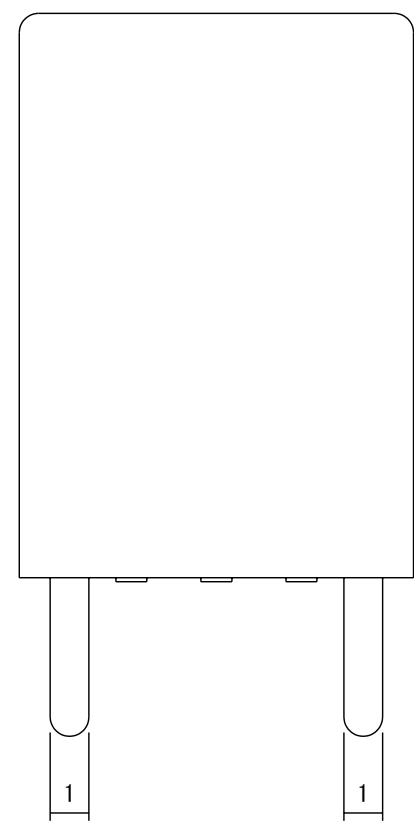
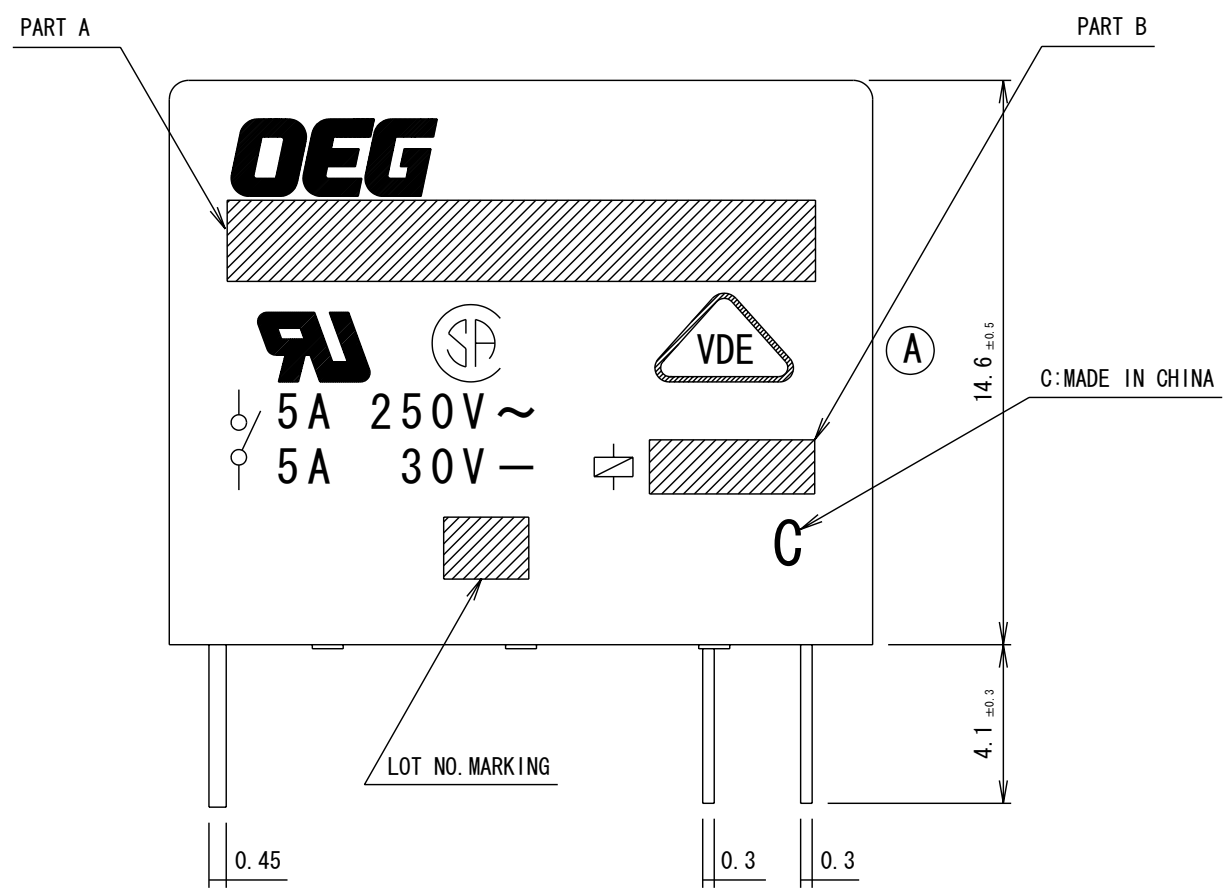
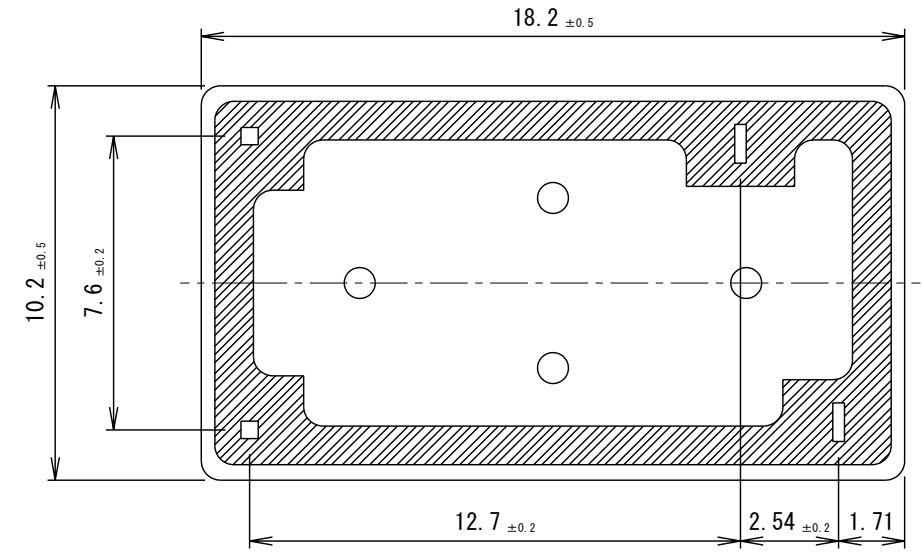


FIGURE FOR PRINTED CIRCUIT BOARD PROCESSING (BOTTOM VIEW)



THIS DRAWING IS A CONTROLLED DOCUMENT FOR TYCO ELECTRONICS CORPORATION  
 IT IS SUBJECT TO CHANGE AND THE CONTROLLING ENGINEERING ORGANIZATION  
 SHOULD BE CONTACTED FOR THE LATEST REVISION.

DIMENSIONS: 單位: 耗 mm	TOLERANCES UNLESS OTHERWISE SPECIFIED:	
	0 PLC	±
MATERIAL 材料	1 PLC	±
	2 PLC	±
	3 PLC	±
	4 PLC	±
FINISH 仕上		±

DWN	H. SASAKI	<b>tyco</b> Tyco Electronics EC K.K. Tochigi, Japan	
CHK	Y. OIKAWA		
APVD	A. NAGAI	NAME 名称	
PRODUCT SPEC 製品規格	OJ-SH-DM SPEC, 000		
APPLICATION SPEC 取付適用規格	SIZE	CAGE CODE	DRAWING NO 番号
WEIGHT	A3	00779	1461406
CUSTOMER DRAWING		SCALE 尺度	SHEET 1 OF 2
		5 : 1	REV B

4

3

2

1


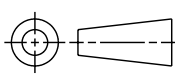
THIS DRAWING IS UNPUBLISHED. RELEASED FOR PUBLICATION  
 © COPYRIGHT BY TYCO ELECTRONICS CORPORATION. ALL RIGHTS RESERVED.

LOC	DIST	REVISIONS 変更						
		P	LTR	DESCRIPTION	ECN	DATE	DWN	APVD
HH								

1461406-6	OJ-SH-148DM, 000	SEAL UP INSPECTION ON EVERY PRODUCT	108-79012	48VDC	OJ-SH-148DM	g
1461406-5	OJ-SH-124DM, 000	SEAL UP INSPECTION ON EVERY PRODUCT	108-79011	24VDC	OJ-SH-124DM	f
1461406-4	OJ-SH-112DM, 000	SEAL UP INSPECTION ON EVERY PRODUCT	108-79010	12VDC	OJ-SH-112DM	e
1461406-3	OJ-SH-109DM, 000	SEAL UP INSPECTION ON EVERY PRODUCT	108-79009	9VDC	OJ-SH-109DM	d
1461406-2	OJ-SH-106DM, 000	SEAL UP INSPECTION ON EVERY PRODUCT	108-79008	6VDC	OJ-SH-106DM	c
1461406-1	OJ-SH-105DM, 000	SEAL UP INSPECTION ON EVERY PRODUCT	108-79007	5VDC	OJ-SH-105DM	b
1461406-7	OJ-SH-103DM, 000	SEAL UP INSPECTION ON EVERY PRODUCT	108-79006	3VDC	OJ-SH-103DM	a
AMP PART NO	EC TYPE NAME	DESCRIPTION	PRODUCT SPEC	PART B	PART A	TYPE

RELAY TYPE

AR	AR	AR	AR	AR	AR	AR	AR			UV RESIN	SEEL (VENT HOLE)	16
AR	AR	AR	AR	AR	AR	AR	AR			EPOXY RESIN	SEEL (BASE & BOBBIN)	15
1	1	1	1	1	1	1	1			3UEW	MAGNETIC WIRE	14
1	1	1	1	1	1	1	1	94V-0		P. B. T	CASE	13
1	1	1	1	1	1	1	1	94V-0		P. B. T	BASE	12
1	1	1	1	1	1	1	1	94V-0		P. B. T	BOBBIN	11
2	2	2	2	2	2	2	2		SOLDER DIP	C. P WIRE	COIL TERMINAL	10
1	1	1	1	1	1	1	1	94V-0		P. P. S	CARD	9
1	1	1	1	1	1	1	1			Ag ALLOY	MOVABLE CONTACT	8
1	1	1	1	1	1	1	1			Ag	NO. CONTACT	7
1	1	1	1	1	1	1	1			STEEL	HINGE SPRING	6
1	1	1	1	1	1	1	1		SOLDER DIP	PBP	NO. TERMINAL	5
1	1	1	1	1	1	1	1		SOLDER DIP	PBS	MOVABLE SPRING	4
1	1	1	1	1	1	1	1		NIP	STEEL	CORE	3
1	1	1	1	1	1	1	1		NIP	STEEL	ARMATURE	2
1	1	1	1	1	1	1	1		NIP	STEEL	YOKE	1
g	f	e	d	c	b	a		INCOMBUSTIBILITY	TREATMENT	MATERIAL	DESCRIPTION	ITEM

THIS DRAWING IS A CONTROLLED DOCUMENT FOR TYCO ELECTRONICS CORPORATION IT IS SUBJECT TO CHANGE AND THE CONTROLLING ENGINEERING ORGANIZATION SHOULD BE CONTACTED FOR THE LATEST REVISION.		DWN		 Tyco Electronics EC K. K. Tochigi, Japan	
DIMENSIONS: 單位: 耗 mm		CHK			
		APVD		NAME 名称	
TOLERANCES UNLESS OTHERWISE SPECIFIED: 0 PLC ± 1 PLC ± 2 PLC ± 3 PLC ± 4 PLC ± ANGLES ±		PRODUCT SPEC 製品規格		OJ-SH-DM SPEC, 000	
MATERIAL 材料		APPLICATION SPEC 取付通用規格		SIZE A3	
FINISH 仕上		WEIGHT		CAGE CODE 00779	
		CUSTOMER DRAWING		DRAWING NO 番号 1461406	
				RESTRICTED TO	
				SCALE 尺度	
				SHEET 2 OF 2	
				REV B	