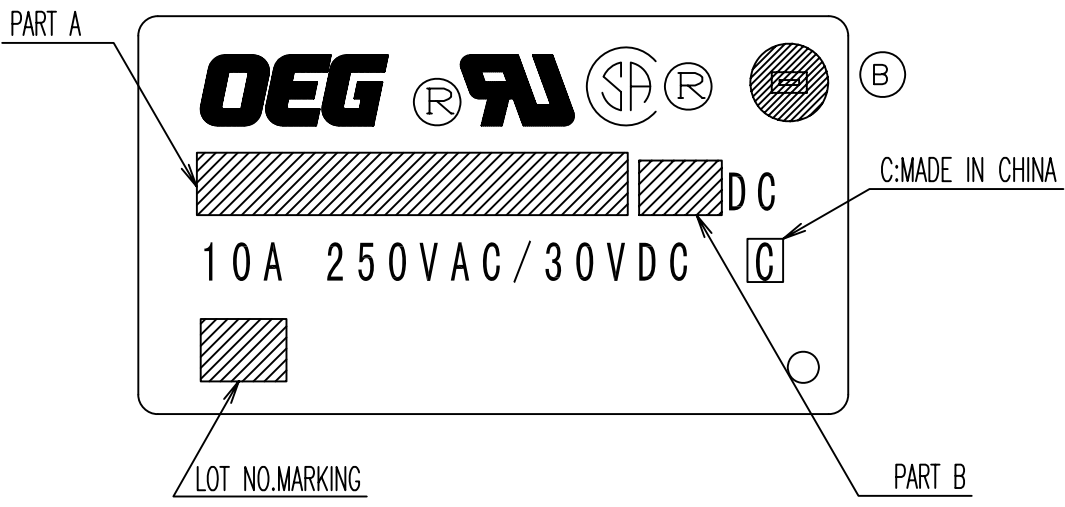


THIS DRAWING IS UNPUBLISHED. | RELEASED FOR PUBLICATION
 © COPYRIGHT BY TYCO ELECTRONICS CORPORATION, ALL RIGHTS RESERVED.

LOC HH | DIST

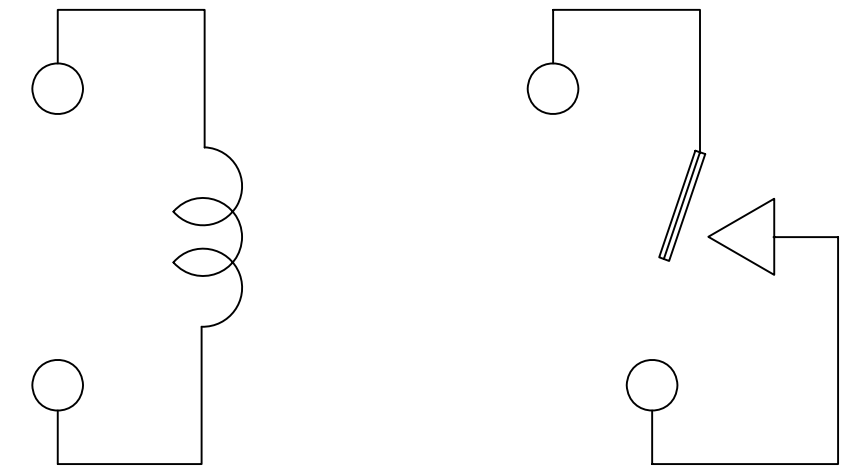
REVISIONS

P	LTR	DESCRIPTION	ECN	DATE	DWN	APVD
	01	RELEASE	FK00-0096-04	07-JUN-04	H.S	A.N
B		MODIFY VENT HOLE&ADD NOTE	ECO-06-008136	15-FEB-06	JG	HSU



(B) NOTES:
 1. LOT NUMBERING SYSTEM AS FOLLOWS:

 DATE
 MONTH
 YEAR



CONNECTION FIGURE

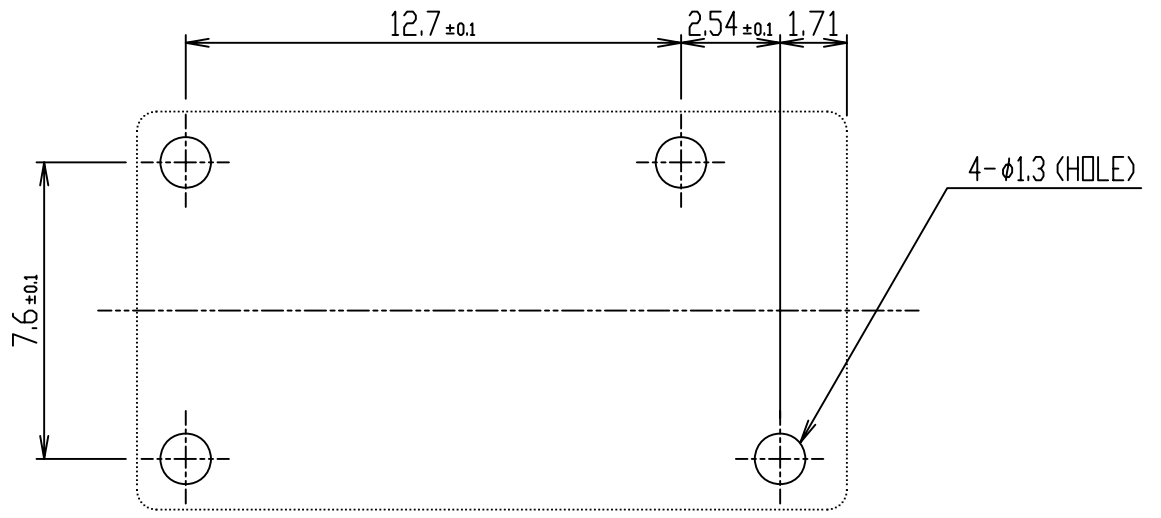
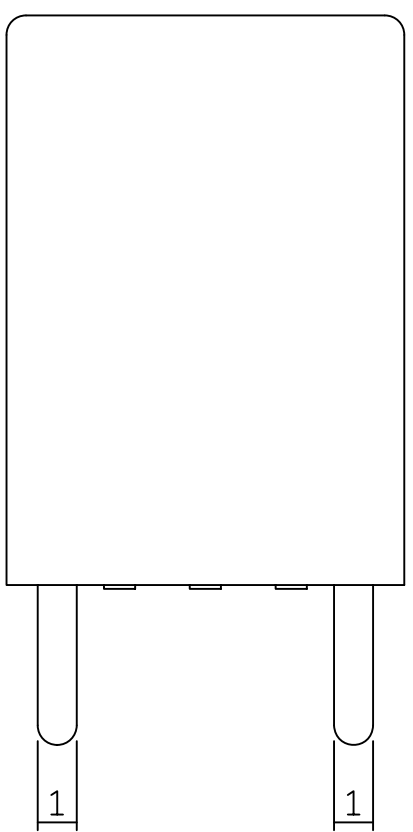
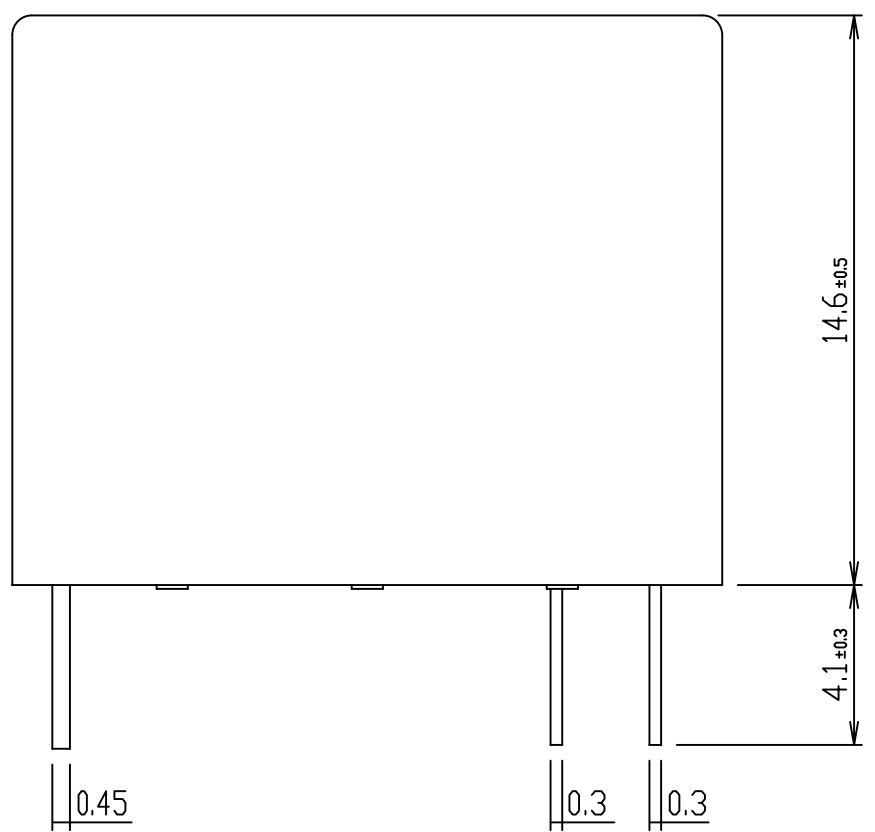
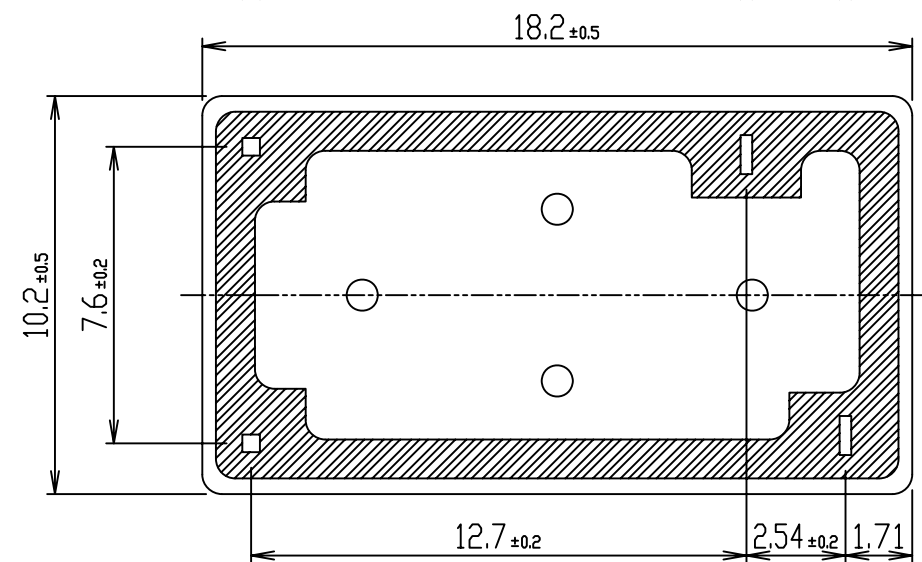


FIGURE FOR PRINTED CIRCUIT BOARD PROCESSING (BOTTOM VIEW)



THIS DRAWING IS A CONTROLLED DOCUMENT FOR TYCO ELECTRONICS CORPORATION IT IS SUBJECT TO CHANGE AND THE CONTROLLING ENGINEERING ORGANIZATION SHOULD BE CONTACTED FOR THE LATEST REVISION.

DIMENSIONS: 單位: 毫米 mm

TOLERANCES UNLESS OTHERWISE SPECIFIED:

0 PLC	±
1 PLC	±
2 PLC	±
3 PLC	±
4 PLC	±
ANGLES	±

MATERIAL 材料

FINISH 仕上

DWN	H.SASAKI	Tyco Electronics EC K.K. Tochigi, Japan
CHK	Y.OIKAWA	
APVD	A.NAGAI	NAME 名称
PRODUCT SPEC	製品規格	OJ-SH-HM SPEC,000
APPLICATION SPEC	取付適用規格	SEE SPEC TABLE
WEIGHT		SIZE A3
CUSTOMER DRAWING		CAGE CODE 00779
		DRAWING NO. 1461405
		RESTRICTED TO
		SCALE 5:1
		SHEET 1 OF 2
		REV B


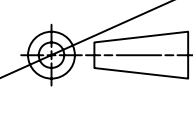
THIS DRAWING IS UNPUBLISHED. RELEASED FOR PUBLICATION
 © COPYRIGHT BY TYCO ELECTRONICS CORPORATION. ALL RIGHTS RESERVED.

LOC	HH	DIST	REVISIONS 変更						
			P	LTR	DESCRIPTION	ECN	DATE	DWN	APVD

1461405-4	OJ-SH-148HM, 000	SEAL UP INSPECTION ON EVERY PRODUCT	108-79740	48V	OJ-SH-148HM	g
1461405-6	OJ-SH-124HM, 000	SEAL UP INSPECTION ON EVERY PRODUCT	108-79741	24V	OJ-SH-124HM	f
1461405-5	OJ-SH-112HM, 000	SEAL UP INSPECTION ON EVERY PRODUCT	108-79743	12V	OJ-SH-112HM	e
1461405-2	OJ-SH-109HM, 000	SEAL UP INSPECTION ON EVERY PRODUCT	108-79744	9V	OJ-SH-109HM	d
1461405-1	OJ-SH-106HM, 000	SEAL UP INSPECTION ON EVERY PRODUCT	108-79745	6V	OJ-SH-106HM	c
1461405-3	OJ-SH-105HM, 000	SEAL UP INSPECTION ON EVERY PRODUCT	108-79746	5V	OJ-SH-105HM	b
1461405-7	OJ-SH-103HM, 000	SEAL UP INSPECTION ON EVERY PRODUCT	108-79747	3V	OJ-SH-103HM	a
AMP PART NO	EC TYPE NAME	DESCRIPTION	PRODUCT SPEC	PART B	PART A	TYPE

RELAY TYPE

AR	AR	AR	AR	AR	AR	AR	AR			UV RESIN	SEEL (VENT HOLE)	16
AR	AR	AR	AR	AR	AR	AR	AR			EPOXY RESIN	SEEL (BASE & BOBBIN)	15
1	1	1	1	1	1	1	1			3UEW	MAGNETIC WIRE	14
1	1	1	1	1	1	1	1	94V-0		P.B.T	CASE	13
1	1	1	1	1	1	1	1	94V-0		P.B.T	BASE	12
1	1	1	1	1	1	1	1	94V-0		P.B.T	BOBBIN	11
2	2	2	2	2	2	2	2		SOLDER DIP	C.P WIRE	COIL TERMINAL	10
1	1	1	1	1	1	1	1	94V-0		P.P.S	CARD	9
1	1	1	1	1	1	1	1			Ag ALLOY	MOVABLE CONTACT	8
1	1	1	1	1	1	1	1			Ag	NO.CONTACT	7
1	1	1	1	1	1	1	1			STEEL	HINGE SPRING	6
1	1	1	1	1	1	1	1		SOLDER DIP	PBP	NO.TERMINAL	5
1	1	1	1	1	1	1	1		SOLDER DIP	Cu ALLOY	MOVABLE SPRING	4
1	1	1	1	1	1	1	1		NIP	STEEL	CORE	3
1	1	1	1	1	1	1	1		NIP	STEEL	ARMATURE	2
1	1	1	1	1	1	1	1		NIP	STEEL	YOKE	1
g	f	e	d	c	b	a		INCOMBUSTIBILITY	TREATMENT	MATERIAL	DESCRIPTION	ITEM

THIS DRAWING IS A CONTROLLED DOCUMENT FOR TYCO ELECTRONICS CORPORATION. IT IS SUBJECT TO CHANGE AND THE CONTROLLING ENGINEERING ORGANIZATION SHOULD BE CONTACTED FOR THE LATEST REVISION.		DWN	 Tyco Electronics EC K.K. Tochigi, Japan			
DIMENSIONS: 単位: 特		CHK				
		APVD	NAME 名称			
TOLERANCES UNLESS OTHERWISE SPECIFIED: 0 PLC ± 1 PLC ± 2 PLC ± 3 PLC ± 4 PLC ± ANGLES ±		PRODUCT SPEC 製品規格	OJ-SH-HM SPEC,000			
MATERIAL 材料		APPLICATION SPEC 取付適用規格	SIZE A3	CAGE CODE 00779	DRAWING NO 番号 1461405	RESTRICTED TO
FINISH 仕上		WEIGHT	CUSTOMER DRAWING		SCALE 尺度	SHEET 2 OF 2 REV B