

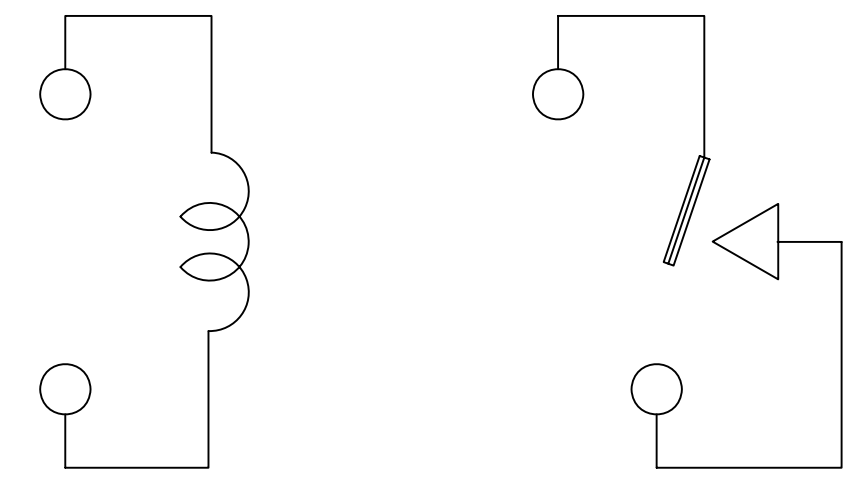
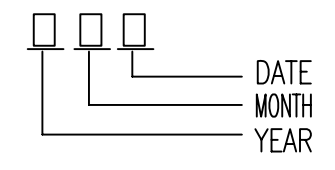
THIS DRAWING IS UNPUBLISHED. RELEASED FOR PUBLICATION
 © COPYRIGHT BY TYCO ELECTRONICS CORPORATION. ALL RIGHTS RESERVED.

LOC HH DIST

REVISIONS
変更

P	LTR	DESCRIPTION	ECN	DATE	DWN	APVD
	01	RELEASE	FK00-0096-04	07-JUN-04	H.S	A.N
	B1	MODIFY ANT HOLE&ADD NOTE	ECO-06-008136	15-FEB-06	JG	HSU

(B1) NOTES:
 1.LOT NUMBERING SYSTEM AS FOLLOWS:



CONNECTION FIGURE

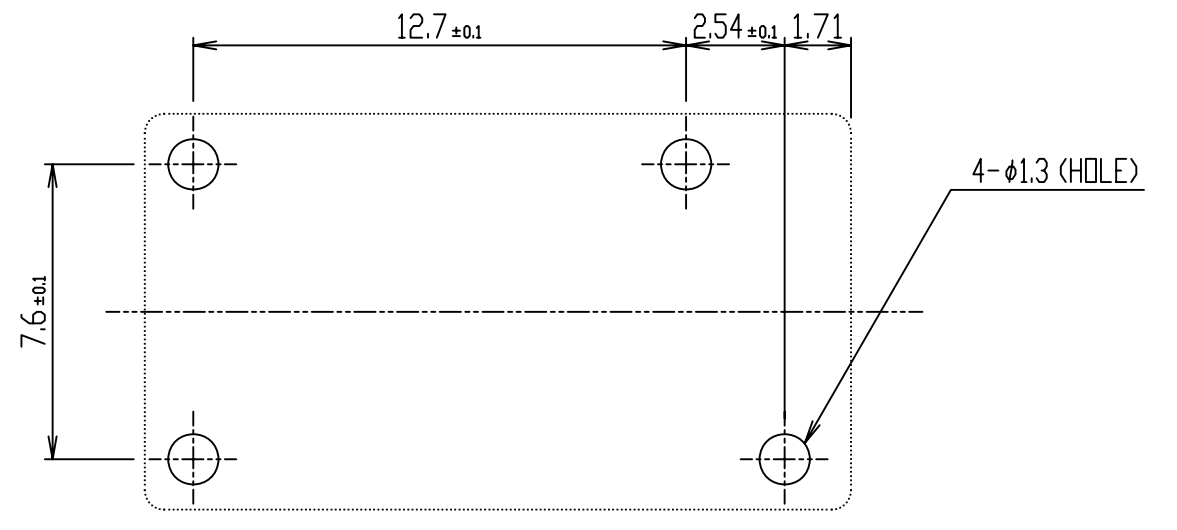
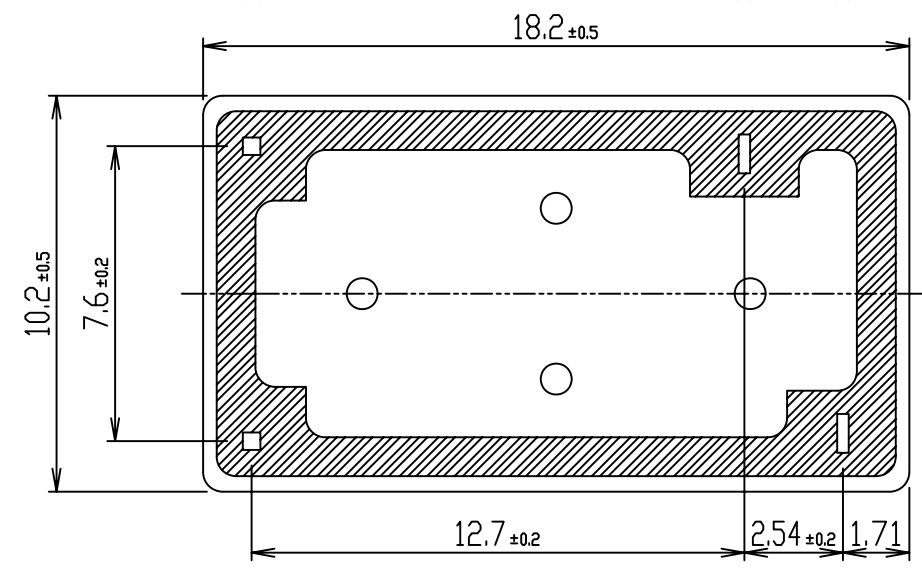
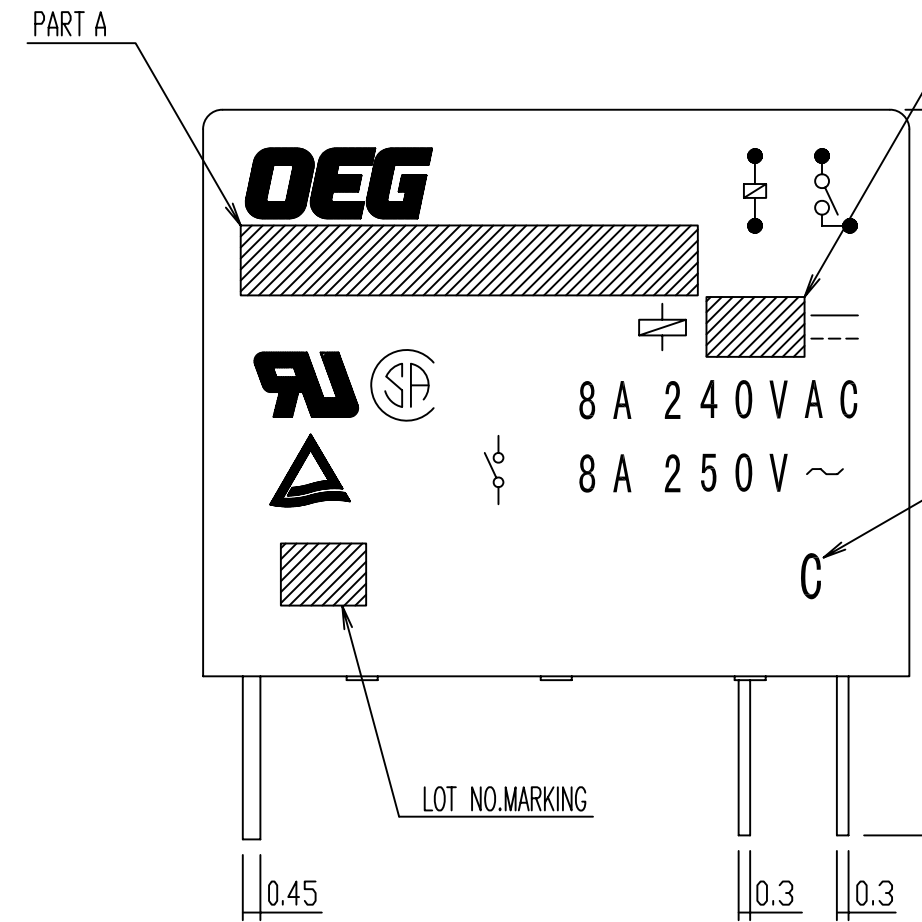


FIGURE FOR PRINTED CIRCUIT BOARD PROCESSING
 (BOTTOM VIEW)



C:MADE IN CHINA

THIS DRAWING IS A CONTROLLED DOCUMENT FOR TYCO ELECTRONICS CORPORATION IT IS SUBJECT TO CHANGE AND THE CONTROLLING ENGINEERING ORGANIZATION SHOULD BE CONTACTED FOR THE LATEST REVISION.		DWN	H.SASAKI		Tyco Electronics EC K.K. Tochigi, Japan
DIMENSIONS: <small>単位: 特</small> mm		CHK	Y.OIKAWA		
TOLERANCES UNLESS OTHERWISE SPECIFIED: 0 PLC ± 1 PLC ± 2 PLC ± 3 PLC ± 4 PLC ± ANGLES ±		APVD	A.NAGAI		NAME <small>名称</small>
MATERIAL		PRODUCT SPEC	SEE PRODUCT SPEC		OJ-SH-LMH SPEC,000
FINISH <small>仕上</small>		APPLICATION SPEC	取付適用規格		SIZE
CUSTOMER DRAWING		WEIGHT	A3		CAGE CODE
			00779		DRAWING NO
			C=		1461247
			SCALE		5:1
			SHEET		1 OF 2
			REV		B1

THIS DRAWING IS UNPUBLISHED. RELEASED FOR PUBLICATION
 © COPYRIGHT BY TYCO ELECTRONICS CORPORATION. ALL RIGHTS RESERVED.

LOC HH	DIST	REVISIONS 変更						
		P	LTR	DESCRIPTION	ECN	DATE	DWN	APVD

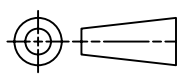
1461247-3	OJ-SH-124LMH, 000	SEAL UP INSPECTION ON EVERY PRODUCT	108-79075	24V	OJ-SH-124LMH	g
1419129-1	OJ-SH-118LMH, 000	SEAL UP INSPECTION ON EVERY PRODUCT	—	18V	OJ-SH-118LMH	f
9-1419128-8	OJ-SH-112LMH, 000	SEAL UP INSPECTION ON EVERY PRODUCT	108-79074	12V	OJ-SH-112LMH	e
1461247-2	OJ-SH-109LMH, 000	SEAL UP INSPECTION ON EVERY PRODUCT	108-79073	9V	OJ-SH-109LMH	d
1461247-1	OJ-SH-106LMH, 000	SEAL UP INSPECTION ON EVERY PRODUCT	108-79072	6V	OJ-SH-106LMH	c
8-1419128-1	OJ-SH-105LMH, 000	SEAL UP INSPECTION ON EVERY PRODUCT	108-79071	5V	OJ-SH-105LMH	b
1461247-4	OJ-SH-103LMH, 000	SEAL UP INSPECTION ON EVERY PRODUCT	108-79070	3V	OJ-SH-103LMH	a
AMP PART NO	EC TYPE NAME	DESCRIPTION	PRODUCT SPEC	PART B	PART A	TYPE

RELAY TYPE

AR	AR	AR	AR	AR	AR	AR			UV RESIN	SEEL (VENT HOLE)	16	
AR	AR	AR	AR	AR	AR	AR			EPOXY RESIN	SEEL (BASE & BOBBIN)	15	
1	1	1	1	1	1	1			3UEW	MAGNETIC WIRE	14	
1	1	1	1	1	1	1	94V-0		P.B.T	CASE	13	
1	1	1	1	1	1	1	94V-0		P.B.T	BASE	12	
1	1	1	1	1	1	1	94V-0		P.B.T	BOBBIN	11	
2	2	2	2	2	2	2		SOLDER DIP	C.P WIRE	COIL TERMINAL	10	
1	1	1	1	1	1	1	94V-0		P.P.S	CARD	9	
1	1	1	1	1	1	1			Ag ALLOY	MOVABLE CONTACT	8	
1	1	1	1	1	1	1			Ag ALLOY	NO.CONTACT	7	
1	1	1	1	1	1	1			STEEL	HINGE SPRING	6	
1	1	1	1	1	1	1		SOLDER DIP	Cu ALLOY	NO.TERMINAL	5	
1	1	1	1	1	1	1		SOLDER DIP	Cu ALLOY	MOVABLE SPRING	4	
1	1	1	1	1	1	1		NIP	STEEL	CORE	3	
1	1	1	1	1	1	1		NIP	STEEL	ARMATURE	2	
1	1	1	1	1	1	1		NIP	STEEL	YOKE	1	
g	f	e	d	c	b	a		INCOMBUSTIBILITY	TREATMENT	MATERIAL	DESCRIPTION	ITEM

THIS DRAWING IS A CONTROLLED DOCUMENT FOR TYCO ELECTRONICS CORPORATION IT IS SUBJECT TO CHANGE AND THE CONTROLLING ENGINEERING ORGANIZATION SHOULD BE CONTACTED FOR THE LATEST REVISION.

DIMENSIONS:
単位: 寸
mm



TOLERANCES UNLESS OTHERWISE SPECIFIED:
 0 PLC ±
 1 PLC ±
 2 PLC ±
 3 PLC ±
 4 PLC ±
 ANGLES ±

MATERIAL
材料

FINISH
仕上

DWN

CHK

APVD

PRODUCT SPEC
製品規格

APPLICATION SPEC
取付適用規格

WEIGHT

CUSTOMER DRAWING

tyco Tyco Electronics EC K.K.
Tochigi, Japan

NAME
名称

OJ-SH-LMH SPEC,000

SIZE A3 CAGE CODE 00779 DRAWING NO 1461247 RESTRICTED TO

SCALE 尺度 SHEET 2 OF 2 REV B1