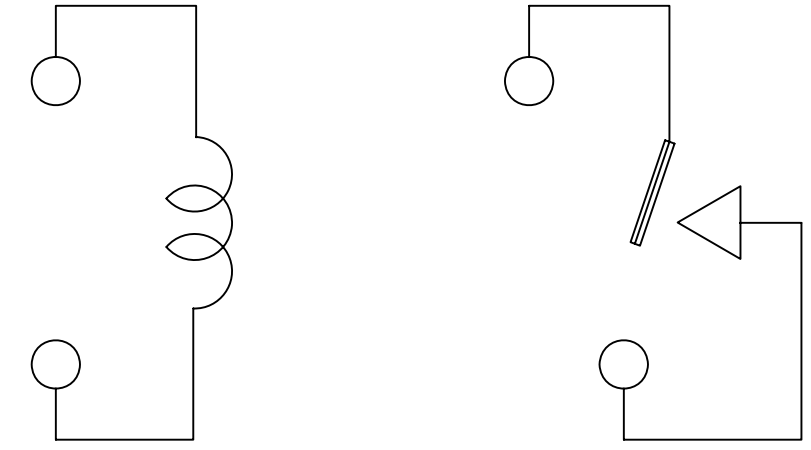
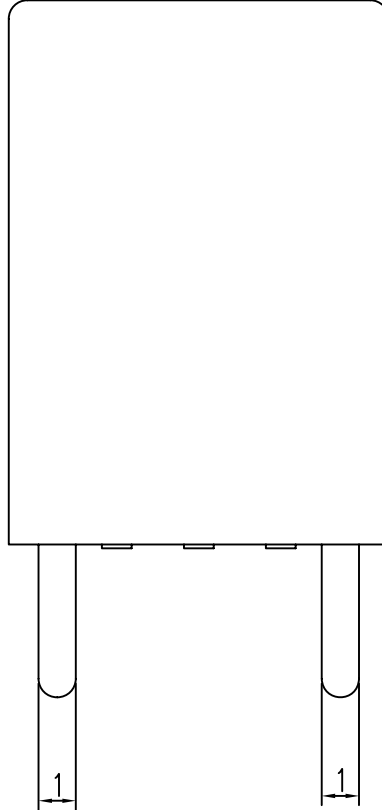
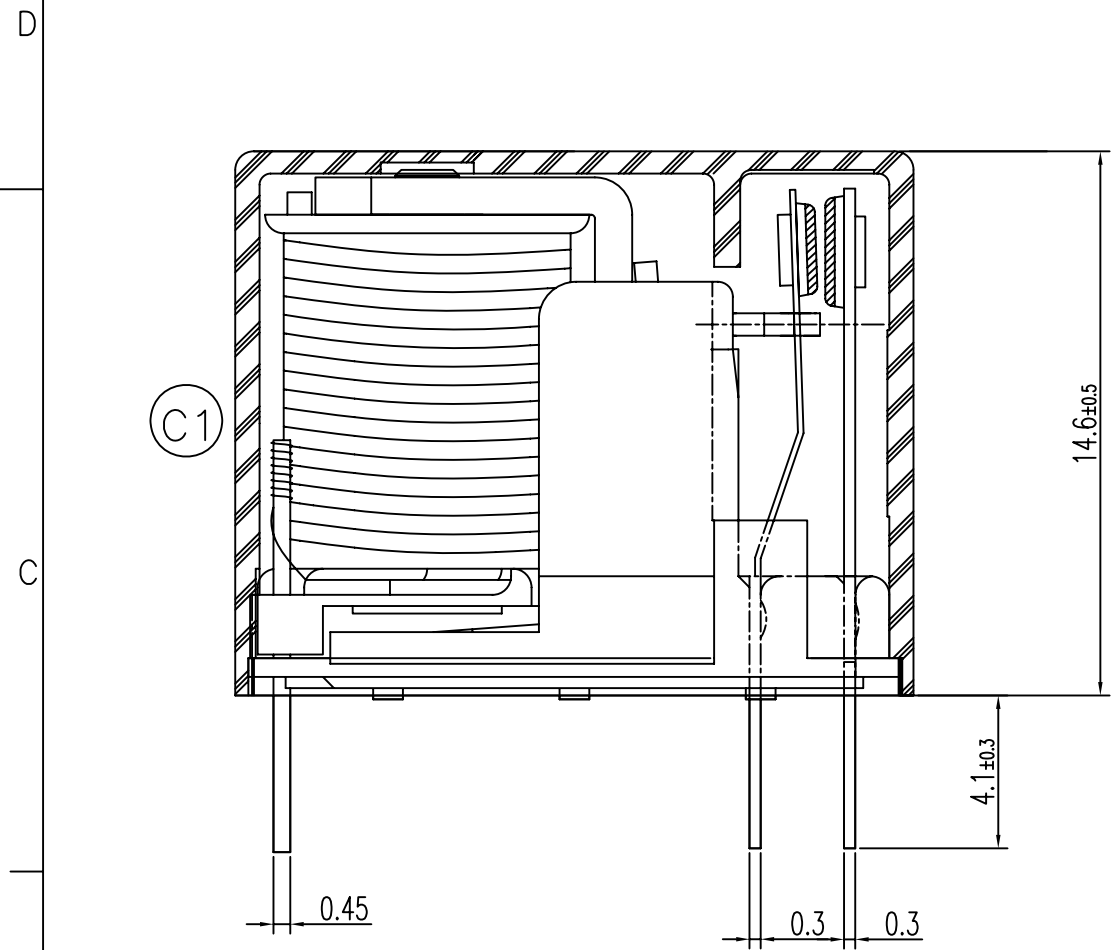


THIS DRAWING IS UNPUBLISHED. RELEASED FOR PUBLICATION
 ©COPYRIGHT BY TYCO ELECTRONICS CORPORATION. ALL RIGHTS RESERVED.

LOC HH	DIST	REVISIONS						
		P	LTR	DESCRIPTION	ECN	DATE	DWN	APVD
			C	MODIFY VENT HOLE&ADD NOTE	ECO-06-008136	15-FEB-06	JG	HSU
			C1	MARKING CORRECT MISTAKE	ECO-06-016318	30-JUN-06	F.B	HSU



CONNECTION FIGURE

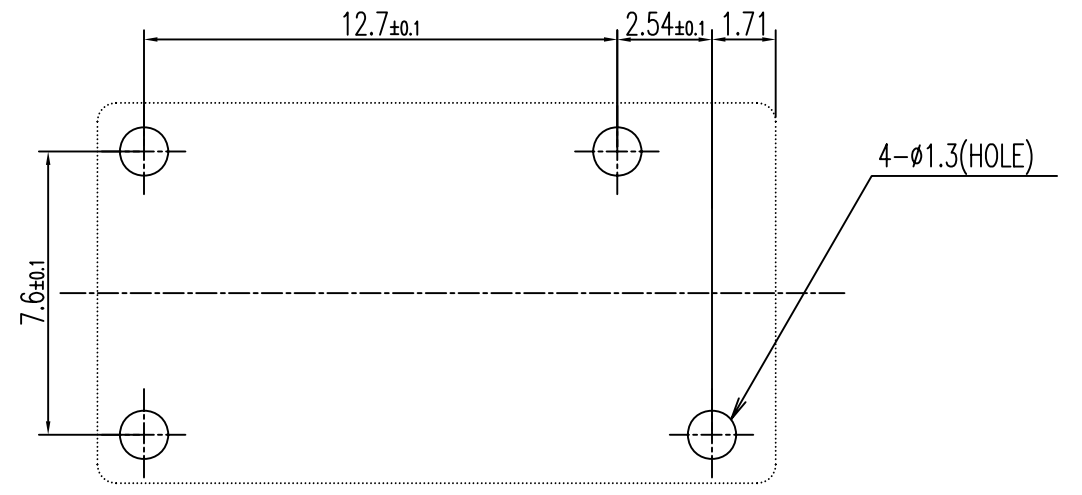
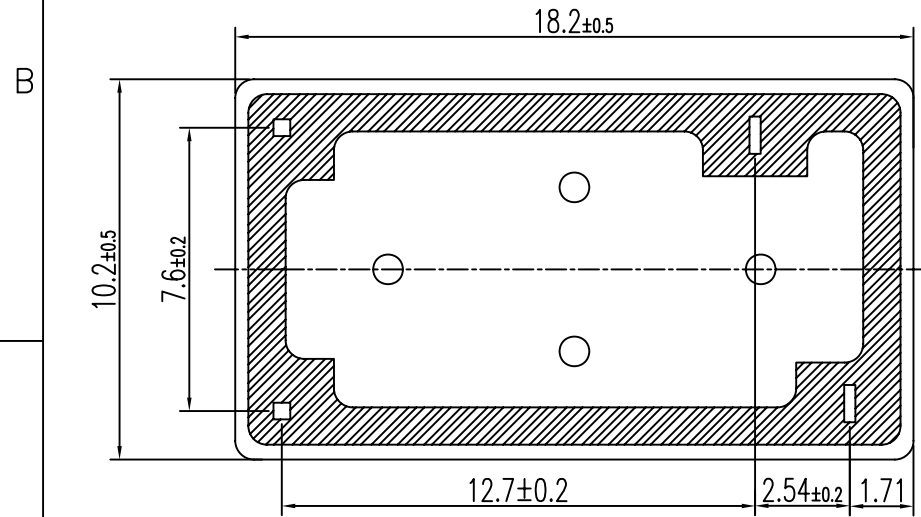
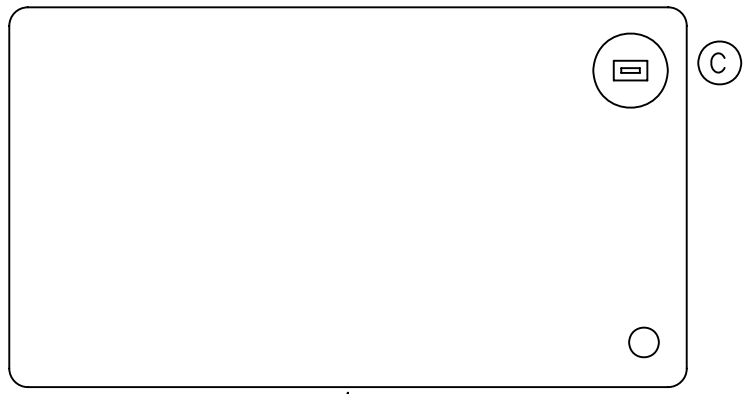


FIGURE FOR PRINTED CIRCUIT BOARD PROCESSING
(BOTTOM VIEW)

Diagram dimension	Tolerance
0.99mm max.	±0.1mm
1 - 2.99mm	±0.2mm
3mm min.	±0.3mm

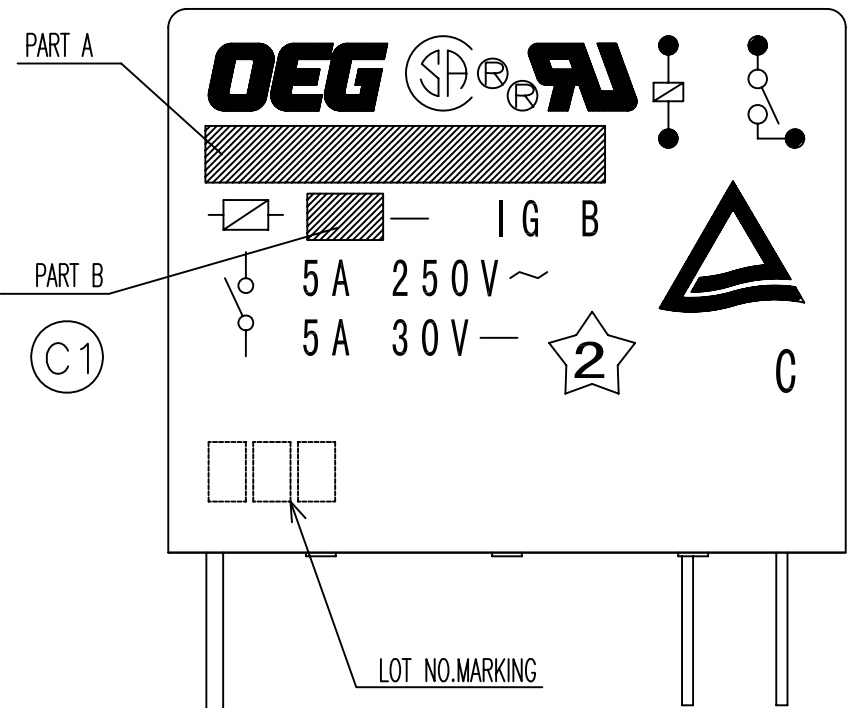
THIS DRAWING IS A CONTROLLED DOCUMENT FOR TYCO ELECTRONICS CORPORATION IT IS SUBJECT TO CHANGE AND THE CONTROLLING ENGINEERING ORGANIZATION SHOULD BE CONTACTED FOR THE LATEST REVISION.		DWN H.SASAKI	Tyco Electronics EC K.K. Tochigi, Japan	
DIMENSIONS: mm		CHK Y.OIKAWA		
		APVD A.NAGAI	OJE-SS-DM SPEC,000	
TOLERANCES UNLESS OTHERWISE SPECIFIED:		PRODUCT SPEC		
MATERIAL SEE MATERIAL TABLE		FINISH	APPLICATION SPEC	
		WEIGHT	SIZE A3	GAGE CODE 00779
			DRAWING NO 1461104	RESTRICTED TO
			CUSTOMER DRAWING	
			SCALE 5:1	SHEET 1 OF 2
				REV C1

LOC HH	DIST	REVISIONS						
		P	LTR	DESCRIPTION	ECN	DATE	DWN	APVD

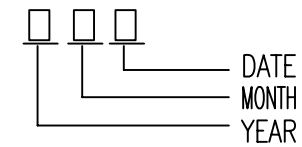


MARKING SIDE

MARKING DRAWING



NOTES:
 1. LOT NUMBERING SYSTEM AS FOLLOWS:



1461104-3	OJE-SS-148DM, 000	108-79033	48V	OJE-SS-148DM	g
6-1419128-2	OJE-SS-124DM, 000	108-79032	24V	OJE-SS-124DM	f
4-1419128-2	OJE-SS-112DM, 000	108-79031	12V	OJE-SS-112DM	e
3-1419128-3	OJE-SS-109DM, 000	108-79030	9V	OJE-SS-109DM	d
3-1419128-1	OJE-SS-106DM, 000	108-79029	6V	OJE-SS-106DM	c
2-1419128-8	OJE-SS-105DM, 000	108-79028	5V	OJE-SS-105DM	b
1461104-1	OJE-SS-103DM, 000	108-79027	3V	OJE-SS-103DM	a
AMP PART NO	EC TYPE NAME	PRODUCT SPEC	PART B	PART A	TYPE

RELAY TYPE

AR	AR	AR	AR	AR	AR	AR	AR						
1	1	1	1	1	1	1	1			EPOXY RESIN	SEEL		15
1	1	1	1	1	1	1	1			3UEW	MAGNETIC WIRE		14
1	1	1	1	1	1	1	1	94V-0		P.B.T	CASE		13
1	1	1	1	1	1	1	1	94V-0		P.B.T	BASE		12
1	1	1	1	1	1	1	1	94V-0		P.B.T	BOBBIN		11
2	2	2	2	2	2	2	2		SOLDER DIP	C.P WIRE	COIL TERMINAL		10
1	1	1	1	1	1	1	1	94V-0		P.P.S	CARD		9
1	1	1	1	1	1	1	1			Ag ALLOY	MOVABLE CONTACT		8
1	1	1	1	1	1	1	1			Ag	NO.CONTACT		7
1	1	1	1	1	1	1	1			STEEL	HINGE SPRING		6
1	1	1	1	1	1	1	1		SOLDER DIP	PBP	NO.TERMINAL		5
1	1	1	1	1	1	1	1		SOLDER DIP	PBS	MOVABLE SPRING		4
1	1	1	1	1	1	1	1		NIP	STEEL	CORE		3
1	1	1	1	1	1	1	1		NIP	STEEL	ARMATURE		2
1	1	1	1	1	1	1	1		NIP	STEEL	YOKE		1
q	f	e	d	c	b	a		INCOMBUSTIBILITY	TREATMENT	MATERIAL	DESCRIPTION	ITEM	

THIS DRAWING IS A CONTROLLED DOCUMENT FOR TYCO ELECTRONICS CORPORATION IT IS SUBJECT TO CHANGE AND THE CONTROLLING ENGINEERING ORGANIZATION SHOULD BE CONTACTED FOR THE LATEST REVISION.		DWN	H.SASAKI		Tyco Electronics EC K.K. Tochigi, Japan			
DIMENSIONS: mm		CHK	Y.OIKAWA					
TOLERANCES UNLESS OTHERWISE SPECIFIED: 0 PLC ± 1 PLC ± 2 PLC ± 3 PLC ± 4 PLC ±		APVD	A.NAGAI		OJE-SS-DM SPEC,000			
MATERIAL SEE MATERIAL TABLE		PRODUCT SPEC						
FINISH		APPLICATION SPEC			SIZE	GAGE CODE	DRAWING NO	RESTRICTED TO
		WEIGHT			A3	00779	© 1461104	
		CUSTOMER DRAWING			SCALE	SHEET	REV	
					5:1	2 of 2	C1	