

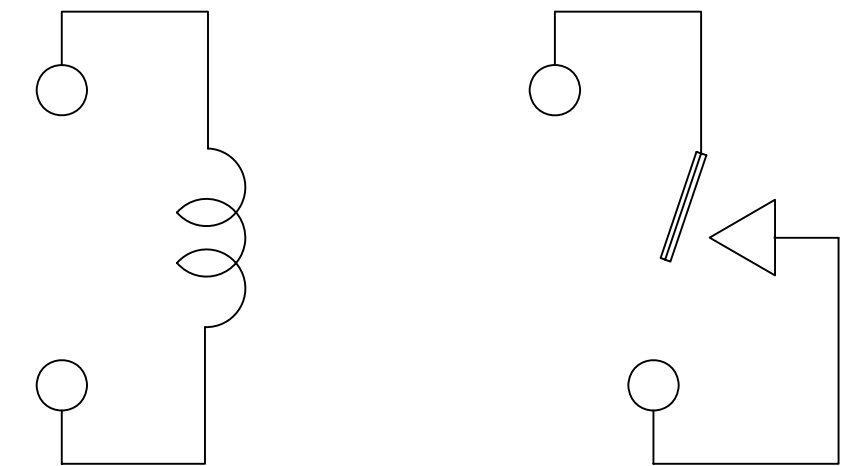
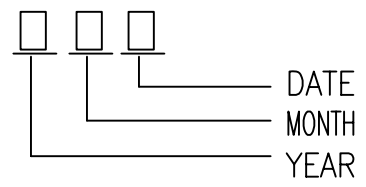
THIS DRAWING IS UNPUBLISHED. RELEASED FOR PUBLICATION
 © COPYRIGHT BY TYCO ELECTRONICS CORPORATION. ALL RIGHTS RESERVED.

LOC HH DIST

REVISIONS
変更

P	LTR	DESCRIPTION	ECN	DATE	DWN	APVD
0		RELEASE	FK00-0104-04	22-JUN-04	H.S	A.N
D		MODIFY VENT HOLE&ADD TYPE	ECO-06-008136	15-FEB-06	JG	HSU

(D) NOTES:
 1.LOT NUMBERING SYSTEM AS FOLLOWS:



CONNECTION FIGURE

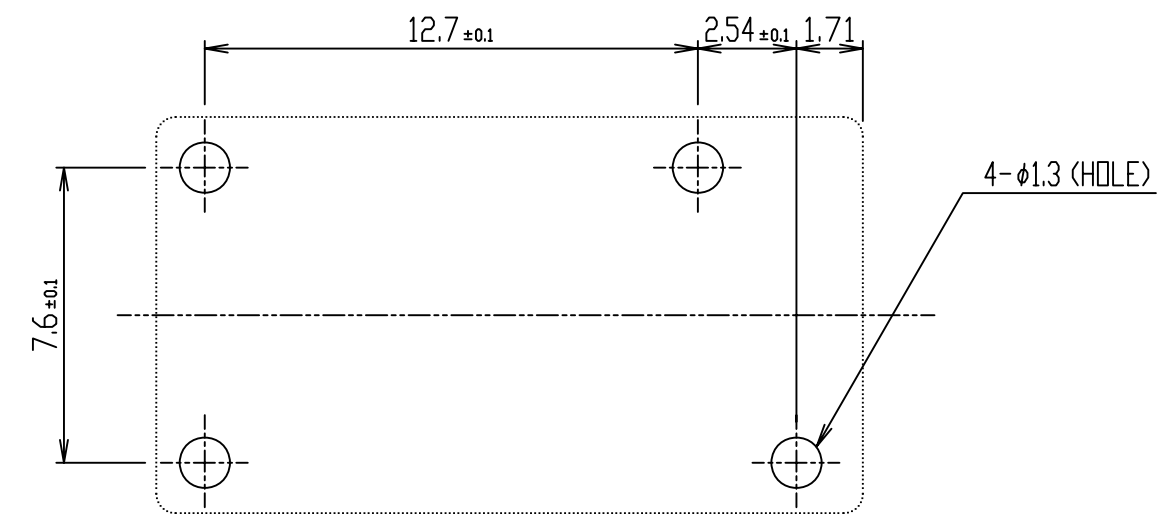
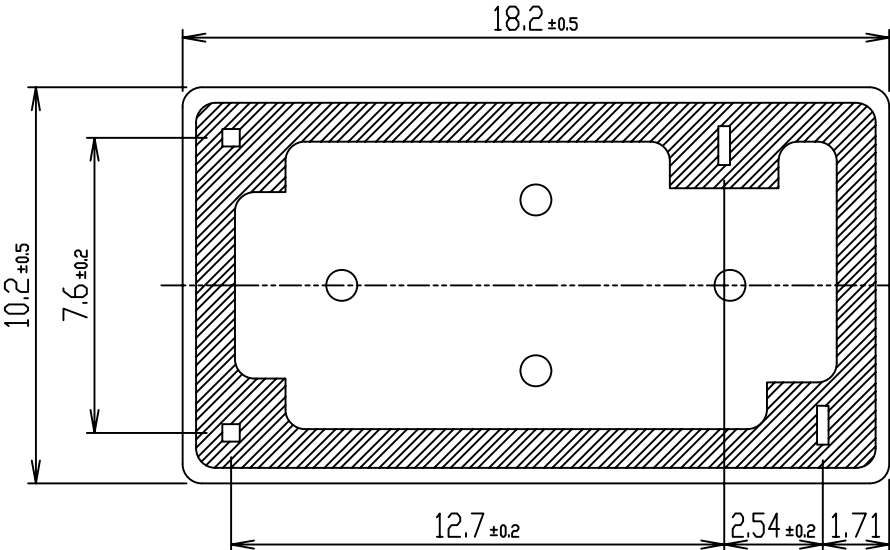
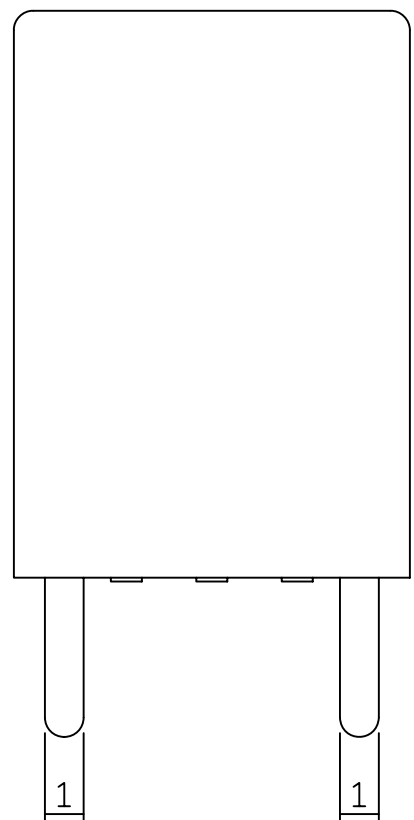
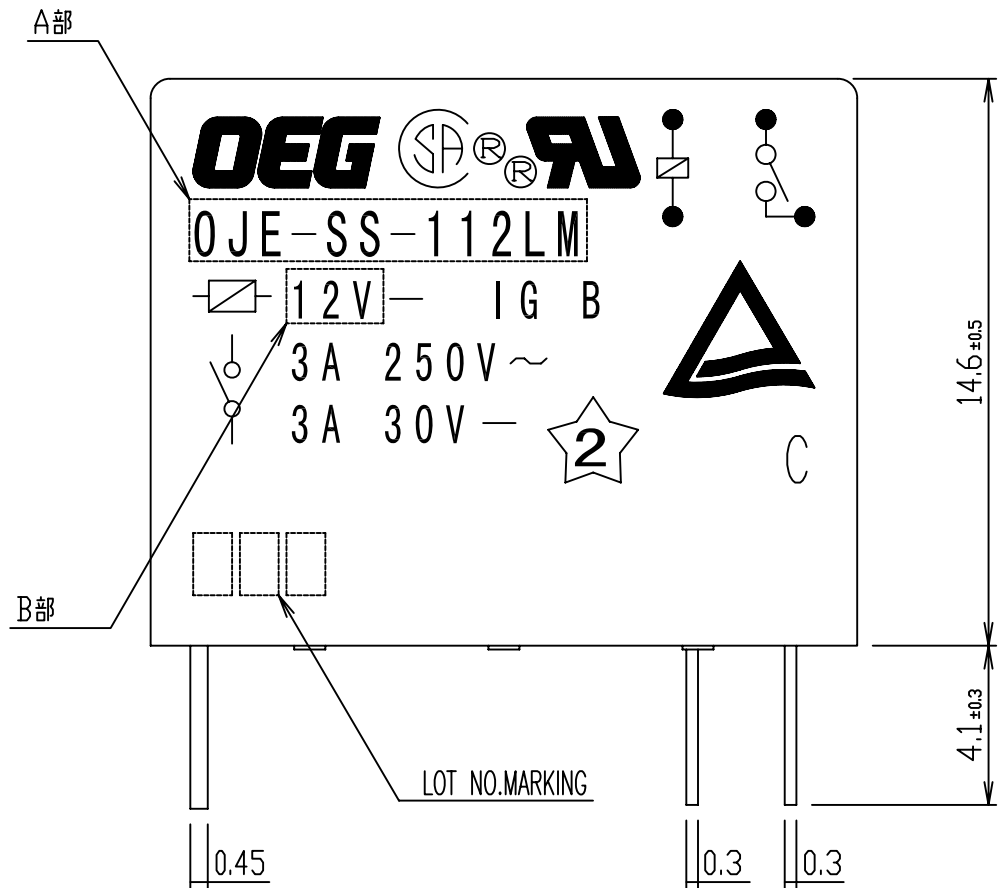
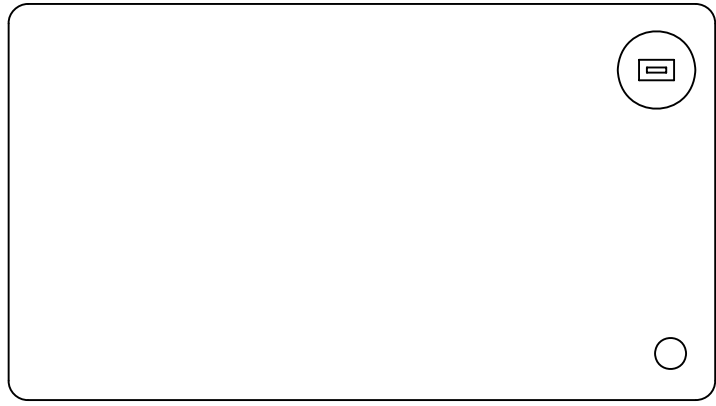


FIGURE FOR PRINTED CIRCUIT BOARD PROCESSING
 (BOTTOM VIEW)



THIS DRAWING IS A CONTROLLED DOCUMENT FOR TYCO ELECTRONICS CORPORATION IT IS SUBJECT TO CHANGE AND THE CONTROLLING ENGINEERING ORGANIZATION SHOULD BE CONTACTED FOR THE LATEST REVISION.		DWN	H.SASAKI		Tyco Electronics EC K.K. Tochigi, Japan
DIMENSIONS: 単位: 種 mm		CHK	Y.OIKAWA		
TOLERANCES UNLESS OTHERWISE SPECIFIED:		APVD	A.NAGAI		NAME 名称
0 PLC ± 1 PLC ± 2 PLC ± 3 PLC ± 4 PLC ± ANGLES ±		PRODUCT SPEC	SEE PRODUCT SPEC		OJE-SS-LM SPEC,000
MATERIAL 材料		APPLICATION SPEC	取付適用規格		SIZE A3
FINISH 仕上		WEIGHT	CAGE CODE	DRAWING NO	RESTRICTED TO
		CUSTOMER DRAWING	00779	1461035	
		SCALE	5:1	SHEET	1 OF 2
		REV	D		

THIS DRAWING IS UNPUBLISHED.

RELEASED FOR PUBLICATION

© COPYRIGHT

BY TYCO ELECTRONICS CORPORATION. ALL RIGHTS RESERVED.

LOC HH DIST

REVISIONS

P	LTR	DESCRIPTION	ECN	DATE	DWN	APVD

①	1461035-2	OJE-SS-118LM, 000	—	18V	OJE-SS-118LM	g
②	5-1419144-0	OJE-SS-103LM, 000	108-79040	3V	OJE-SS-103LM	f
	6-1419128-7	OJE-SS-124LM, 000	108-79045	24V	OJE-SS-124LM	e
	4-1419128-6	OJE-SS-112LM, 000	108-79044	12V	OJE-SS-112LM	d
	3-1419128-9	OJE-SS-109LM, 000	108-79043	9V	OJE-SS-109LM	c
	1461035-1	OJE-SS-106LM, 000	108-79042	6V	OJE-SS-106LM	b
	3-1419128-0	OJE-SS-105LM, 000	108-79041	5V	OJE-SS-105LM	a
	AMP PART NO	EC TYPE NAME	PRODUCT SPEC	PART B	PART A	TYPE

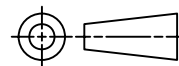
RELAY TYPE

①②

AR	AR	AR	AR	AR	AR	AR			EPOXY RESIN	SEEL (BASE & BOBBIN)	ITEM
1	1	1	1	1	1	1			3UEW	MAGNETIC WIRE	15
1	1	1	1	1	1	1	94V-0		P.B.T	CASE	14
1	1	1	1	1	1	1	94V-0		P.B.T	BASE	13
1	1	1	1	1	1	1	94V-0		P.B.T	BOBBIN	12
2	2	2	2	2	2	2		SOLDER DIP	C.P WIRE	COIL TERMINAL	11
1	1	1	1	1	1	1	94V-0		P.P.S	CARD	10
1	1	1	1	1	1	1			Ag	MOVABLE CONTACT	9
1	1	1	1	1	1	1			Ag	NO.CONTACT	8
1	1	1	1	1	1	1			STEEL	HINGE SPRING	7
1	1	1	1	1	1	1		SOLDER DIP	Cu ALLOY	NO.TERMINAL	6
1	1	1	1	1	1	1		SOLDER DIP	Cu ALLOY	MOVABLE SPRING	5
1	1	1	1	1	1	1		NIP	STEEL	CORE	4
1	1	1	1	1	1	1		NIP	STEEL	ARMATURE	3
1	1	1	1	1	1	1		NIP	STEEL	YOKE	2
1	1	1	1	1	1	1			STEEL	YOKE	1
g	f	e	d	c	b	a	INCOMBUSTIBILITY	TREATMENT	MATERIAL	DESCRIPTION	ITEM

THIS DRAWING IS A CONTROLLED DOCUMENT FOR TYCO ELECTRONICS CORPORATION IT IS SUBJECT TO CHANGE AND THE CONTROLLING ENGINEERING ORGANIZATION SHOULD BE CONTACTED FOR THE LATEST REVISION.

DIMENSIONS: 単位: 耗 mm



TOLERANCES UNLESS OTHERWISE SPECIFIED:

0 PLC	±
1 PLC	±
2 PLC	±
3 PLC	±
4 PLC	±
ANGLES	±

MATERIAL 材料

FINISH 仕上

DWN

CHK

APVD

PRODUCT SPEC 製品規格

APPLICATION SPEC 取付適用規格

WEIGHT

CUSTOMER DRAWING

tyco Electronics

Tyco Electronics EC K.K. Tochigi, Japan

NAME 名称

OJE-SS-LM SPEC,000

SIZE

A3

CAGE CODE

00779

DRAWING NO

番号

1461035

RESTRICTED TO

SCALE

SHEET

2 OF 2

REV

D