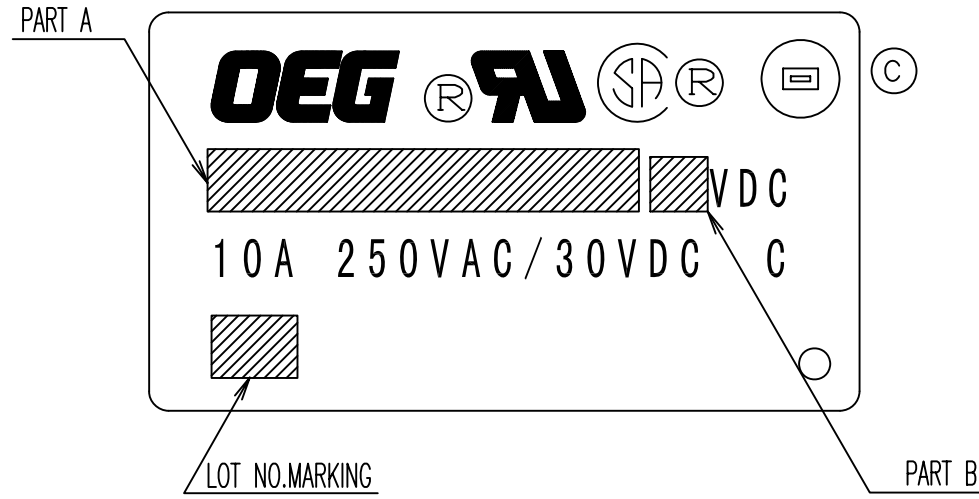


THIS DRAWING IS UNPUBLISHED. RELEASED FOR PUBLICATION  
 © COPYRIGHT BY TYCO ELECTRONICS CORPORATION. ALL RIGHTS RESERVED.

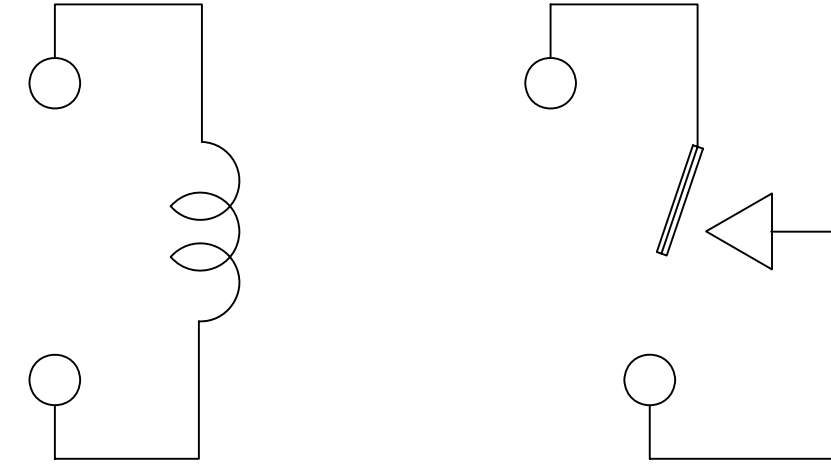
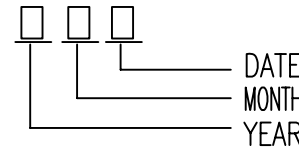
LOC HH DIST

REVISIONS

P	LTR	DESCRIPTION	ECN	DATE	DWN	APVD
0		RELEASE	FK00-0104-04	23-JUN-04	H.S	A.N
C		MODIFY ANT HOLE&ADD TYPE	ECO-06-008136	15-FEB-06	JG	HSU



NOTES:  
 1. LOT NUMBERING SYSTEM AS FOLLOWS:



CONNECTION FIGURE

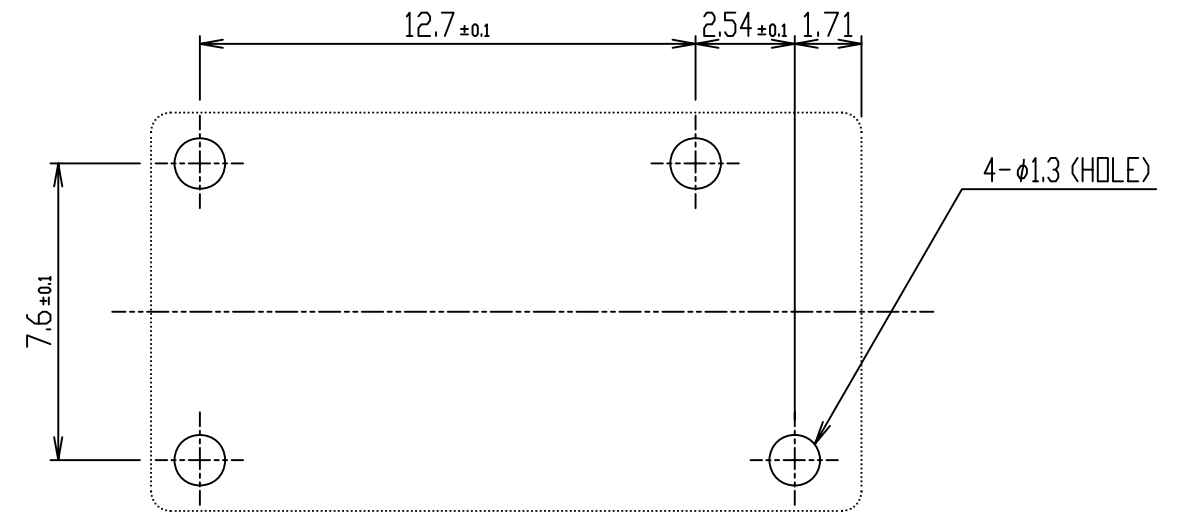
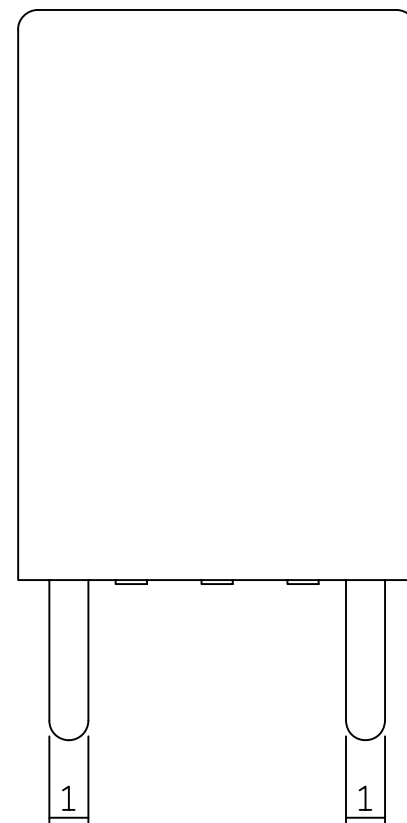
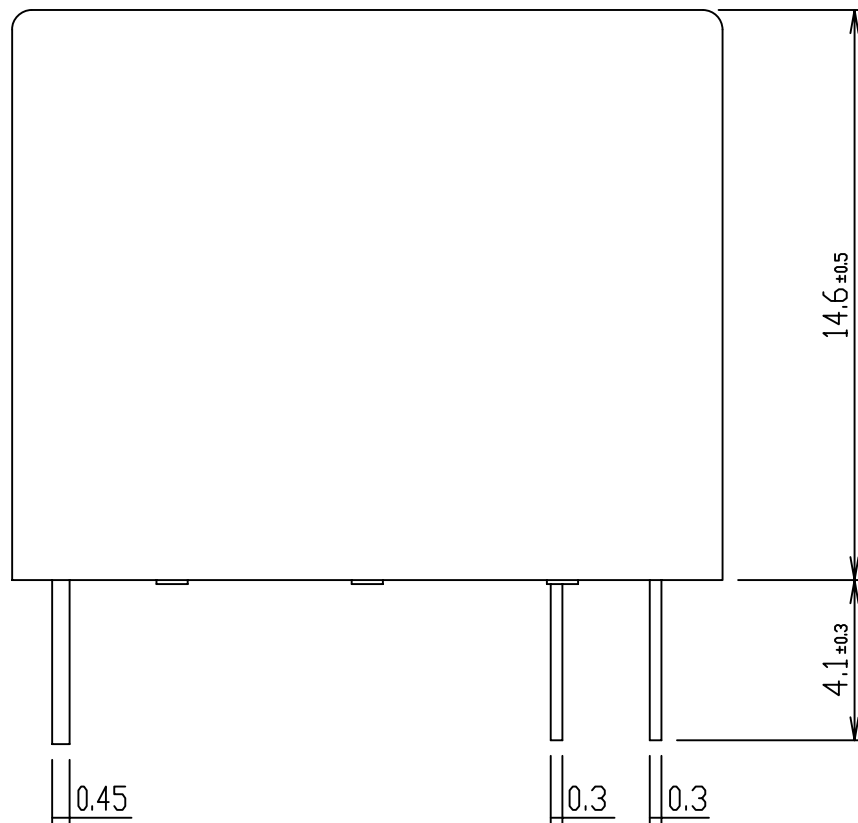
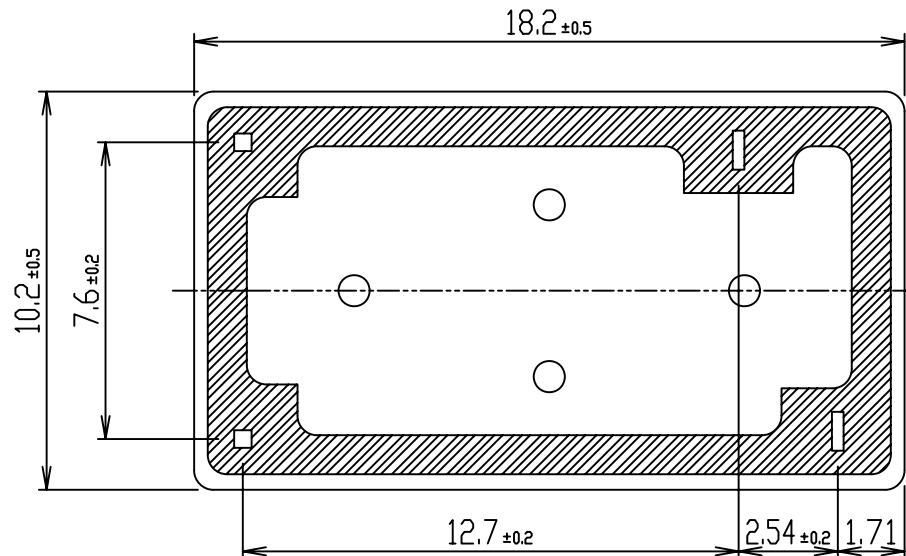


FIGURE FOR PRINTED CIRCUIT BOARD PROCESSING (BOTTOM VIEW)



THIS DRAWING IS A CONTROLLED DOCUMENT FOR TYCO ELECTRONICS CORPORATION  
 IT IS SUBJECT TO CHANGE AND THE CONTROLLING ENGINEERING ORGANIZATION  
 SHOULD BE CONTACTED FOR THE LATEST REVISION.

DIMENSIONS:  
 単位: 耗  
 mm

TOLERANCES UNLESS OTHERWISE SPECIFIED:

0 PLC	±
1 PLC	±
2 PLC	±
3 PLC	±
4 PLC	±
ANGLES	±

MATERIAL  
 材料

FINISH  
 仕上

DWN	H.SASAKI	Tyco Electronics EC K.K. Tochigi, Japan
CHK	Y.OIKAWA	
APVD	A.NAGAI	NAME 名称
PRODUCT SPEC 製品規格	SEE SPEC TABLE	OJE-SS-HM SPEC,000
APPLICATION SPEC 取付適用規格		
WEIGHT		SIZE A3
		CAGE CODE 00779
		DRAWING NO 番号 1461103
CUSTOMER DRAWING	SCALE 尺度 5:1	SHEET 1 OF 2
		REV C

THIS DRAWING IS UNPUBLISHED. | RELEASED FOR PUBLICATION

© COPYRIGHT | BY TYCO ELECTRONICS CORPORATION. ALL RIGHTS RESERVED.

LOC HH	DIST	REVISIONS 変更						
		P	LTR	DESCRIPTION	ECN	DATE	DWN	APVD

1461103-3	OJE-SS-148HM, 000	48V	OJE-SS-148HM	h
6-1419128-4	OJE-SS-124HM, 000	24V	OJE-SS-124HM	g
1461103-2	OJE-SS-118HM, 000	18V	OJE-SS-118HM	f
4-1419128-3	OJE-SS-112HM, 000	12V	OJE-SS-112HM	e
3-1419128-5	OJE-SS-109HM, 000	9V	OJE-SS-109HM	d
3-1419128-2	OJE-SS-106HM, 000	6V	OJE-SS-106HM	c
2-1419128-9	OJE-SS-105HM, 000	5V	OJE-SS-105HM	b
1461103-1	OJE-SS-103HM, 000	3V	OJE-SS-103HM	a
AMP PART NO	EC TYPE NAME	PART B	PART A	TYPE

AR	AR	AR	AR	AR	AR	AR	AR	AR						
1	1	1	1	1	1	1	1	1			EPOXY RESIN	SEEL (BASE & BOBBIN)	15	
1	1	1	1	1	1	1	1	1			3UEW	MAGNETIC WIRE	14	
1	1	1	1	1	1	1	1	1	94V-0		P.B.T	CASE	13	
1	1	1	1	1	1	1	1	1	94V-0		P.B.T	BASE	12	
1	1	1	1	1	1	1	1	1	94V-0		P.B.T	BOBBIN	11	
2	2	2	2	2	2	2	2	2		SOLDER DIP	C.P WIRE	COIL TERMINAL	10	
1	1	1	1	1	1	1	1	1	94V-0			CARD	9	
1	1	1	1	1	1	1	1	1			Ag ALLOY	MOVABLE CONTACT	8	
1	1	1	1	1	1	1	1	1			Ag	NO.CONTACT	7	
1	1	1	1	1	1	1	1	1			STEEL	HINGE SPRING	6	
1	1	1	1	1	1	1	1	1		SOLDER DIP	PBP	NO.TERMINAL	5	
1	1	1	1	1	1	1	1	1		SOLDER DIP	Cu ALLOY	MOVABLE SPRING	4	
1	1	1	1	1	1	1	1	1		NIP	STEEL	CORE	3	
1	1	1	1	1	1	1	1	1		NIP	STEEL	ARMATURE	2	
1	1	1	1	1	1	1	1	1		NIP	STEEL	YOKE	1	
h	q	f	e	d	c	b	a		INCOMBUSTIBILITY	TREATMENT	MATERIAL	DESCRIPTION	ITEM	

THIS DRAWING IS A CONTROLLED DOCUMENT FOR TYCO ELECTRONICS CORPORATION  
IT IS SUBJECT TO CHANGE AND THE CONTROLLING ENGINEERING ORGANIZATION  
SHOULD BE CONTACTED FOR THE LATEST REVISION.

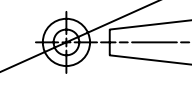
DIMENSIONS:  
単位: 寸

TOLERANCES UNLESS OTHERWISE SPECIFIED:

0 PLC	±
1 PLC	±
2 PLC	±
3 PLC	±
4 PLC	±
ANGLES	±

MATERIAL  
材料

FINISH  
仕上



DWN

CHK

APVD

PRODUCT SPEC  
製品規格

APPLICATION SPEC  
取付適用規格

WEIGHT

CUSTOMER DRAWING

**tyco** Tyco Electronics EC K.K.  
**Electronics** Tochigi, Japan

NAME  
名称  
OJE-SS-HM SPEC,000

SIZE A3 CAGE CODE 00779 DRAWING NO 1461103 RESTRICTED TO

SCALE 1:1 SHEET 2 OF 2 REV C