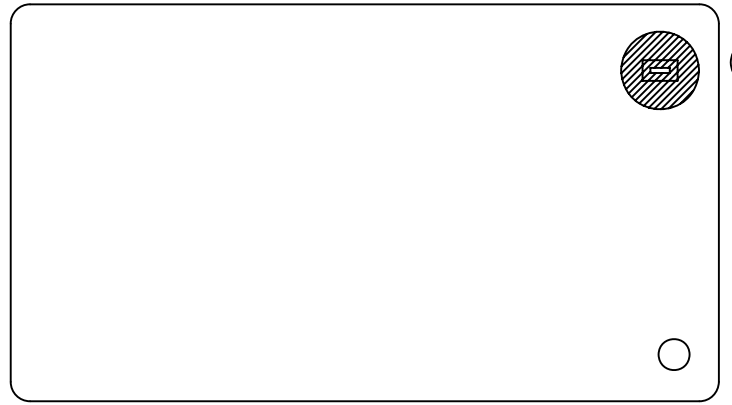


THIS DRAWING IS UNPUBLISHED. | RELEASED FOR PUBLICATION
 © COPYRIGHT BY TYCO ELECTRONICS CORPORATION. ALL RIGHTS RESERVED.

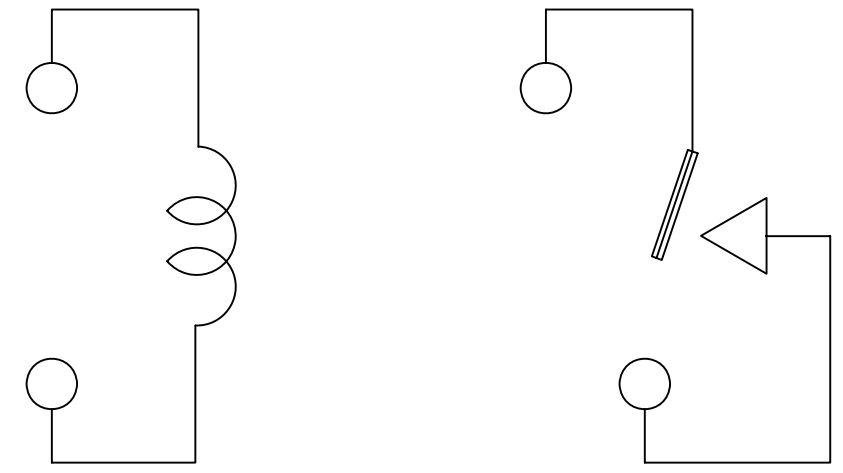
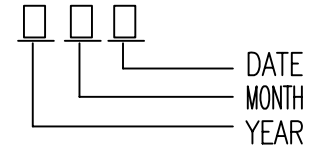
LOC HH DIST

REVISIONS

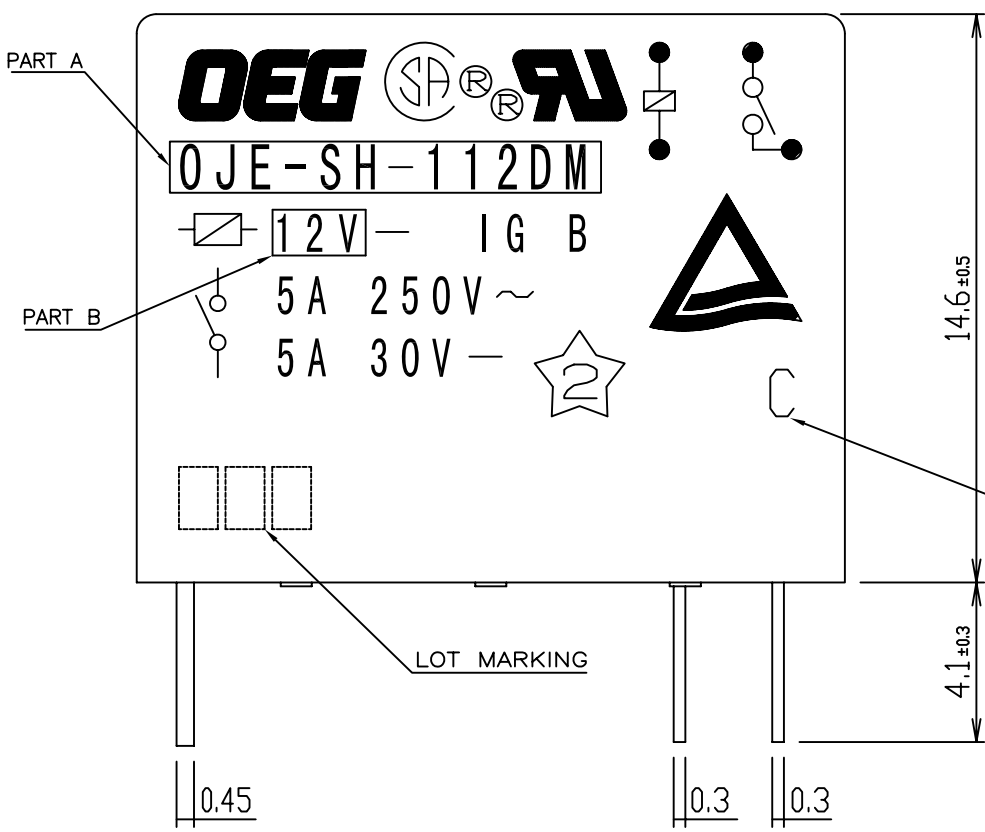
P	LTR	DESCRIPTION	ECN	DATE	DWN	APVD
	01	RELEASE	FK00-0096-04	07-JUN-04	H.S	A.N
B		MODIFY VENT HOLE&ADD TYPE	ECO-06-008136	14-FEB-06	JG	HSU



(B) NOTES:
 1.LOT NUMBERING SYSTEM AS FOLLOWS:



CONNECTION FIGURE



C:MADE IN CHINA

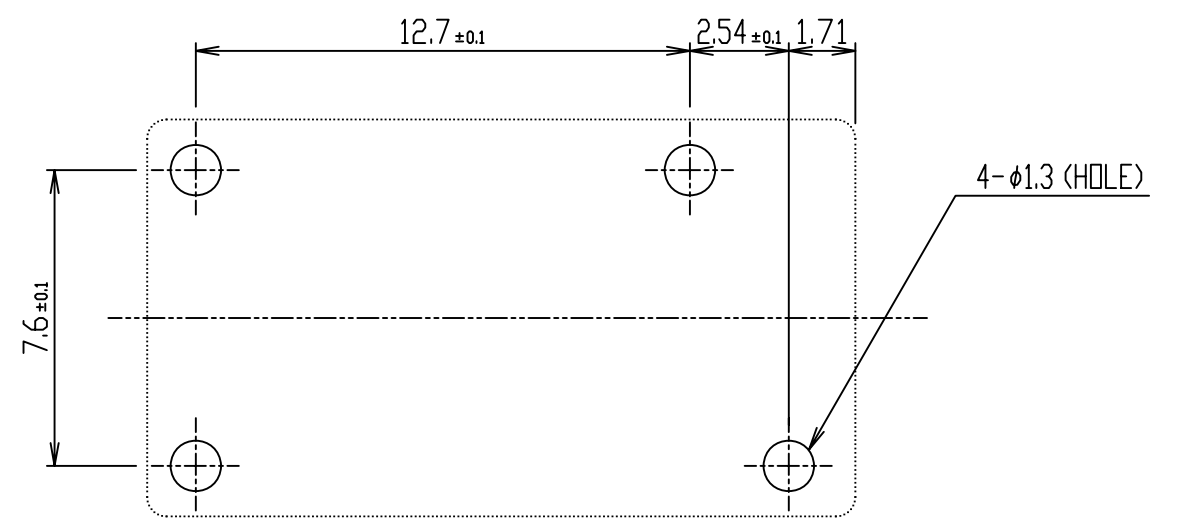
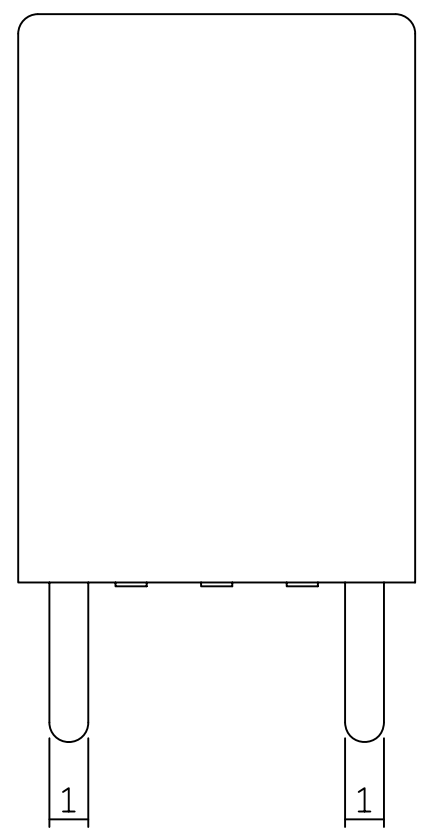
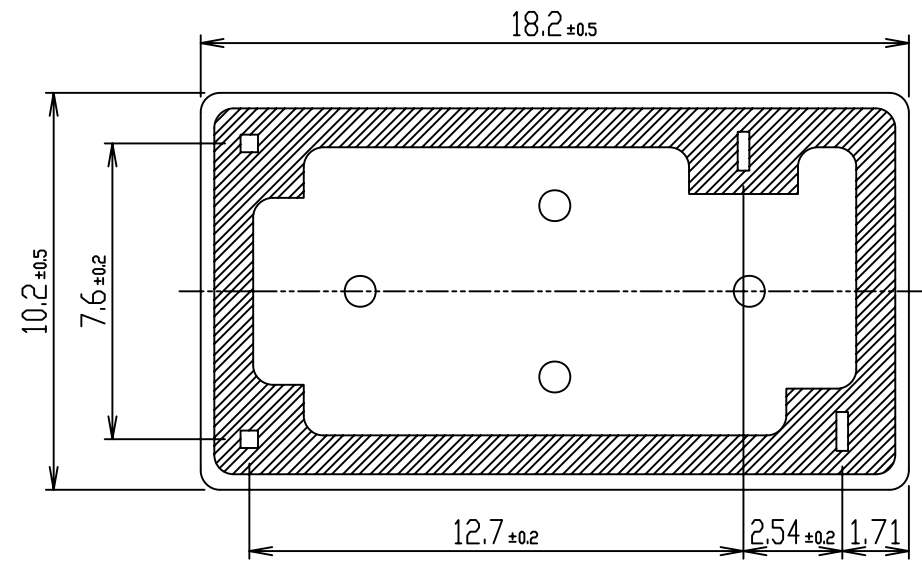


FIGURE FOR PRINTED CIRCUIT BOARD PROCESSING (BOTTOM VIEW)



THIS DRAWING IS A CONTROLLED DOCUMENT FOR TYCO ELECTRONICS CORPORATION. IT IS SUBJECT TO CHANGE AND THE CONTROLLING ENGINEERING ORGANIZATION SHOULD BE CONTACTED FOR THE LATEST REVISION.		DWN	H.SASAKI		Tyco Electronics EC K.K. Tochigi, Japan	
DIMENSIONS: 單位: mm		CHK	Y.OIKAWA			
TOLERANCES UNLESS OTHERWISE SPECIFIED:		APVD	A.NAGAI		NAME	OJE-SH-DM SPEC,000
0 PLC ±		PRODUCT SPEC	SEE PRODUCT SPEC		製品規格	
1 PLC ±		APPLICATION SPEC	取付適用規格		取得適用規格	SIZE
2 PLC ±		MATERIAL	WEIGHT		DRAWING NO	RESTRICTED TO
3 PLC ±			CUSTOMER DRAWING			
4 PLC ±		FINISH	SCALE		SHEET	OF
ANGLES ±			5:1			
FINISH		天度		REV		B

4 | 3 | 2 | 1

THIS DRAWING IS UNPUBLISHED. | RELEASED FOR PUBLICATION

© COPYRIGHT | BY TYCO ELECTRONICS CORPORATION. ALL RIGHTS RESERVED.


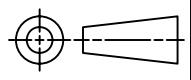
LOC HH	DIST	REVISIONS 変更						
		P	LTR	DESCRIPTION	ECN	DATE	DWN	APVD

1461400-6	OJE-SH-148DM, 000	SEAL UP INSPECTION ON EVERY PRODUCT	108-79026	48V	OJE-SH-148DM	h
1461400-5	OJE-SH-124DM, 000	SEAL UP INSPECTION ON EVERY PRODUCT	108-79025	24V	OJE-SH-124DM	g
4-1419144-9	OJE-SH-118DM, 000	SEAL UP INSPECTION ON EVERY PRODUCT	—	18V	OJE-SH-118DM	f
1461400-4	OJE-SH-112DM, 000	SEAL UP INSPECTION ON EVERY PRODUCT	108-79024	12V	OJE-SH-112DM	e
1461400-3	OJE-SH-109DM, 000	SEAL UP INSPECTION ON EVERY PRODUCT	108-79023	9V	OJE-SH-109DM	d
1461400-2	OJE-SH-106DM, 000	SEAL UP INSPECTION ON EVERY PRODUCT	108-79022	6V	OJE-SH-106DM	c
1461400-1	OJE-SH-105DM, 000	SEAL UP INSPECTION ON EVERY PRODUCT	108-79021	5V	OJE-SH-105DM	b
1461400-7	OJE-SH-103DM, 000	SEAL UP INSPECTION ON EVERY PRODUCT	108-79020	3V	OJE-SH-103DM	a
AMP PART NO	EC TYPE NAME	DESCRIPTION	PRODUCT SPEC	PART B	PART A	TYPE

RELAY TYPE

AR	AR	AR	AR	AR	AR	AR	AR	AR			UV RESIN	SEEL (VENT HOLE)	16
AR	AR	AR	AR	AR	AR	AR	AR	AR			EPOXY RESIN	SEEL (BASE & BOBBIN)	15
1	1	1	1	1	1	1	1	1			3UEW	MAGNETIC WIRE	14
1	1	1	1	1	1	1	1	1	94V-0		P.B.T	CASE	13
1	1	1	1	1	1	1	1	1	94V-0		P.B.T	BASE	12
1	1	1	1	1	1	1	1	1	94V-0		P.B.T	BOBBIN	11
2	2	2	2	2	2	2	2	2		SOLDER DIP	C.P WIRE	COIL TERMINAL	10
1	1	1	1	1	1	1	1	1	94V-0		P.P.S	CARD	9
1	1	1	1	1	1	1	1	1			Ag ALLOY	MOVABLE CONTACT	8
1	1	1	1	1	1	1	1	1			Ag	NO.CONTACT	7
1	1	1	1	1	1	1	1	1			STEEL	HINGE SPRING	6
1	1	1	1	1	1	1	1	1		SOLDER DIP	PBP	NO.TERMINAL	5
1	1	1	1	1	1	1	1	1		SOLDER DIP	PBS	MOVABLE SPRING	4
1	1	1	1	1	1	1	1	1		NIP	STEEL	CORE	3
1	1	1	1	1	1	1	1	1		NIP	STEEL	ARMATURE	2
1	1	1	1	1	1	1	1	1		NIP	STEEL	YOKE	1
h	g	f	e	d	c	b	a		INCOMBUSTIBILITY	TREATMENT	MATERIAL	DESCRIPTION	ITEM

THIS DRAWING IS A CONTROLLED DOCUMENT FOR TYCO ELECTRONICS CORPORATION IT IS SUBJECT TO CHANGE AND THE CONTROLLING ENGINEERING ORGANIZATION SHOULD BE CONTACTED FOR THE LATEST REVISION.

DIMENSIONS: 単位: 耗 mm	TOLERANCES UNLESS OTHERWISE SPECIFIED: 0 PLC ± 1 PLC ± 2 PLC ± 3 PLC ± 4 PLE ± ANGLES ±	DWN	 Tyco Electronics EC K.K. Tochigi, Japan	
		CHK	NAME 名称 OJE-SH-DM SPEC,000	
MATERIAL 材料	FINISH 仕上	APVD	SIZE	RESTRICTED TO
		PRODUCT SPEC 製品規格	A3	
		APPLICATION SPEC 取付適用規格	CAGE CODE 00779	DRAWING NO 番号 1461400
		WEIGHT	SCALE 尺度	SHEET 2 OF 2
		CUSTOMER DRAWING		REV B