

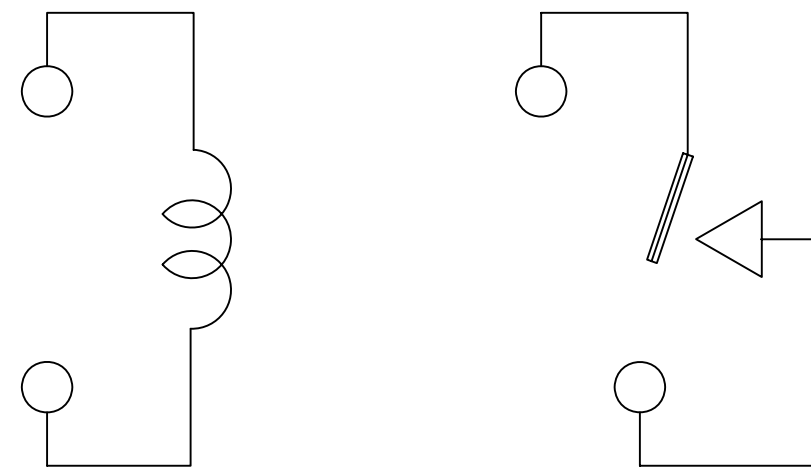
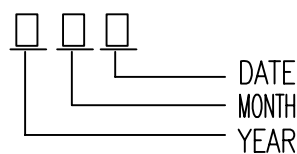
THIS DRAWING IS UNPUBLISHED. RELEASED FOR PUBLICATION  
 © COPYRIGHT BY TYCO ELECTRONICS CORPORATION. ALL RIGHTS RESERVED.

LOC HH DIST

REVISIONS  
変更

P	LTR	DESCRIPTION	ECN	DATE	DWN	APVD
	01	RELEASE	FK00-0096-04	07-JUN-04	H.S	A.N
B		MODIFY VENT HOLE	ECO-06-008136	15-FEB-06	JG	HSU

(B) NOTES:  
1. LOT NUMBERING SYSTEM AS FOLLOWS:



CONNECTION FIGURE

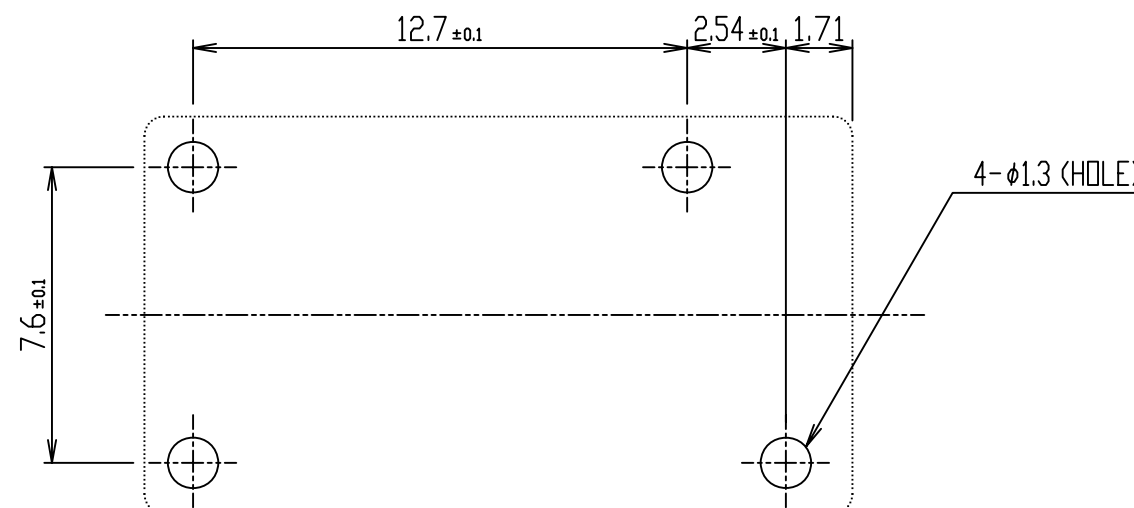
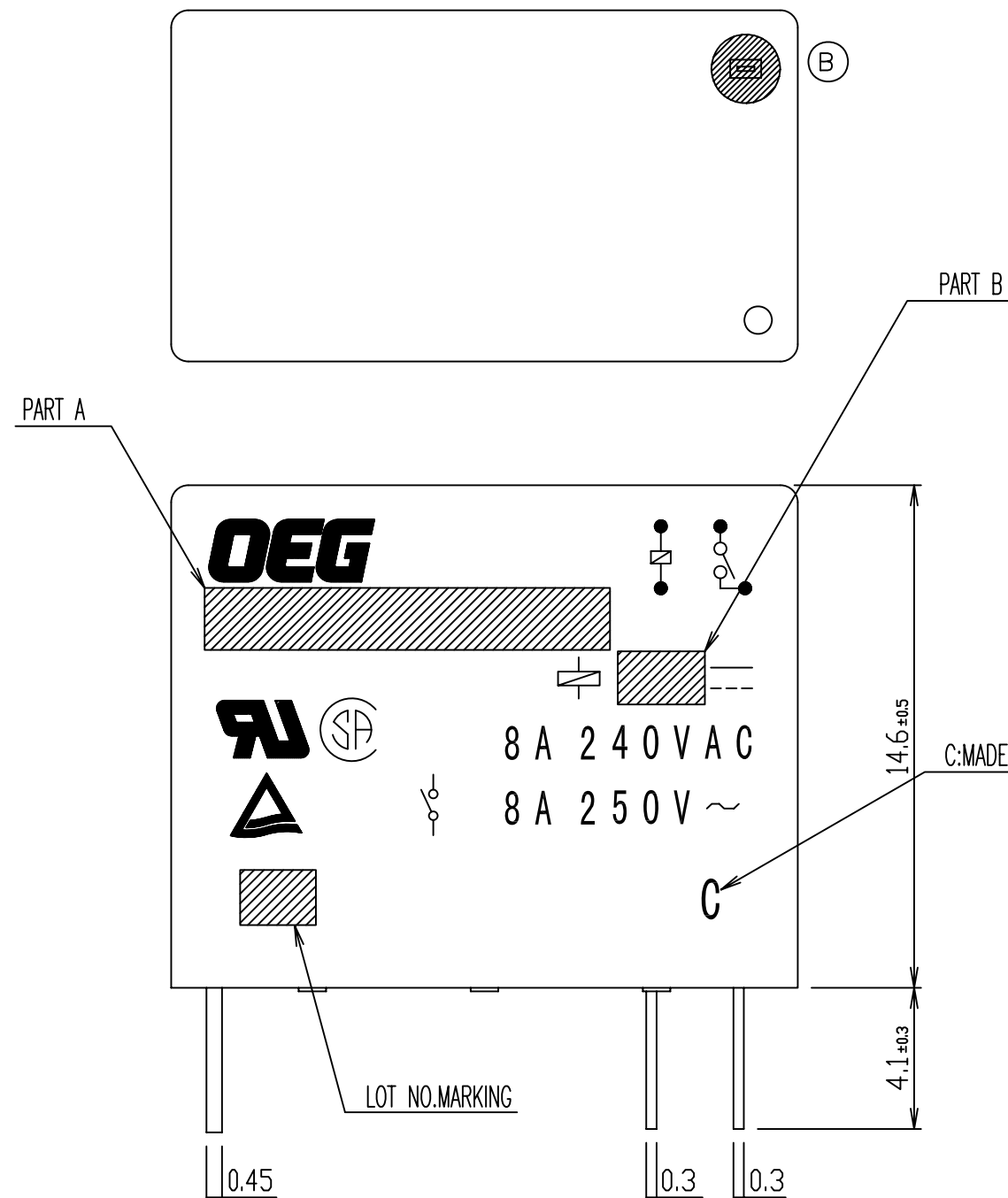
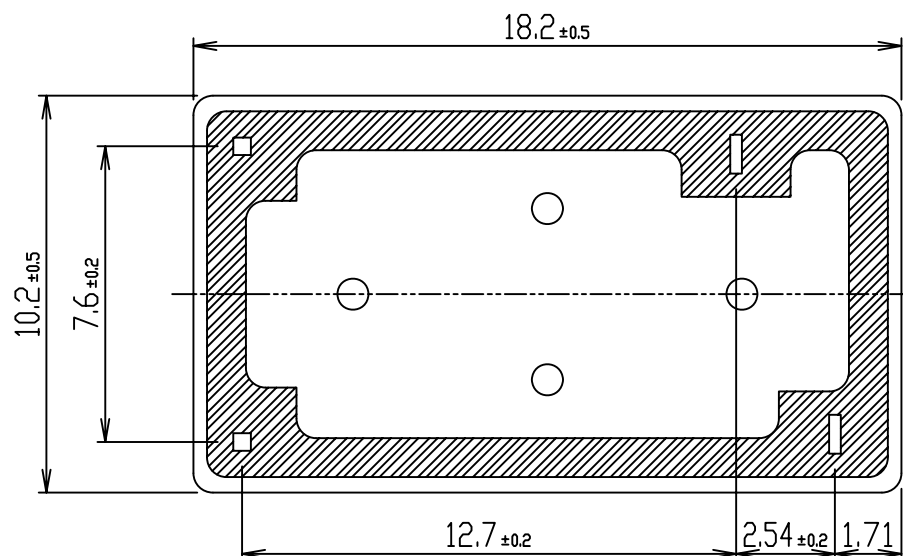


FIGURE FOR PRINTED CIRCUIT BOARD PROCESSING  
(BOTTOM VIEW)



C: MADE IN CHINA



THIS DRAWING IS A CONTROLLED DOCUMENT FOR TYCO ELECTRONICS CORPORATION  
IT IS SUBJECT TO CHANGE AND THE CONTROLLING ENGINEERING ORGANIZATION  
SHOULD BE CONTACTED FOR THE LATEST REVISION.

DIMENSIONS: 単位: mm	TOLERANCES UNLESS OTHERWISE SPECIFIED:
	0 PLC ± 1 PLC ± 2 PLC ± 3 PLC ± 4 PLC ± ANGLES ±

MATERIAL 材料 FINISH 仕上

DWN	H.SASAKI
CHK	Y.OIKAWA
APVD	A.NAGAI
PRODUCT SPEC 製品規格	SEE PRODUCT SPEC
APPLICATION SPEC 取付適用規格	

WEIGHT

**tyco** Tyco Electronics EC K.K.  
**Electronics** Tochigi, Japan

NAME 名称	OJE-SH-LMH SPEC,000		
SIZE	CAGE CODE	DRAWING NO 番号	RESTRICTED TO
A3	00779	1461403	

CUSTOMER DRAWING SCALE 5:1 SHEET 1 OF 2 REV B

THIS DRAWING IS UNPUBLISHED. RELEASED FOR PUBLICATION  
 © COPYRIGHT BY TYCO ELECTRONICS CORPORATION. ALL RIGHTS RESERVED.

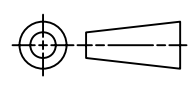
LOC HH	DIST	REVISIONS 変更						
		P	LTR	DESCRIPTION	ECN	DATE	DWN	APVD


1461403-5	OJE-SH-124LMH, 000	SEAL UP INSPECTION ON EVERY PRODUCT	108-79051	24V	OJE-SH-124LMH	f
1461403-4	OJE-SH-112LMH, 000	SEAL UP INSPECTION ON EVERY PRODUCT	108-79050	12V	OJE-SH-112LMH	e
1461403-2	OJE-SH-109LMH, 000	SEAL UP INSPECTION ON EVERY PRODUCT	108-79049	9V	OJE-SH-109LMH	d
1461403-1	OJE-SH-106LMH, 000	SEAL UP INSPECTION ON EVERY PRODUCT	108-79048	6V	OJE-SH-106LMH	c
1461403-3	OJE-SH-105LMH, 000	SEAL UP INSPECTION ON EVERY PRODUCT	108-79047	5V	OJE-SH-105LMH	b
1461403-6	OJE-SH-103LMH, 000	SEAL UP INSPECTION ON EVERY PRODUCT	108-79046	3V	OJE-SH-103LMH	a
AMP PART NO	EC TYPE NAME	DESCRIPTION	PRODUCT SPEC	PART B	PART A	TYPE

RELAY TYPE

AR	AR	AR	AR	AR	AR			UV RESIN	SEEL (VENT HOLE)	16
AR	AR	AR	AR	AR	AR			EPOXY RESIN	SEEL (BASE & BOBBIN)	15
1	1	1	1	1	1			3JEW	MAGNETIC WIRE	14
1	1	1	1	1	1	94V-0		P.B.T	CASE	13
1	1	1	1	1	1	94V-0		P.B.T	BASE	12
1	1	1	1	1	1	94V-0		P.B.T	BOBBIN	11
2	2	2	2	2	2		SOLDER DIP	C.P WIRE	COIL TERMINAL	10
1	1	1	1	1	1	94V-0		P.P.S	CARD	9
1	1	1	1	1	1			Ag ALLOY	MOVABLE CONTACT	8
1	1	1	1	1	1			Ag ALLOY	NO.CONTACT	7
1	1	1	1	1	1			STEEL	HINGE SPRING	6
1	1	1	1	1	1		SOLDER DIP	Cu ALLOY	NO.TERMINAL	5
1	1	1	1	1	1		SOLDER DIP	Cu ALLOY	MOVABLE SPRING	4
1	1	1	1	1	1		NIP	STEEL	CORE	3
1	1	1	1	1	1		NIP	STEEL	ARMATURE	2
1	1	1	1	1	1		NIP	STEEL	YOKE	1
f	e	d	c	b	a	INCOMBUSTIBILITY	TREATMENT	MATERIAL	DESCRIPTION	ITEM

THIS DRAWING IS A CONTROLLED DOCUMENT FOR TYCO ELECTRONICS CORPORATION  
 IT IS SUBJECT TO CHANGE AND THE CONTROLLING ENGINEERING ORGANIZATION  
 SHOULD BE CONTACTED FOR THE LATEST REVISION.

DIMENSIONS: 単位: 耗 mm	TOLERANCES UNLESS OTHERWISE SPECIFIED:
	0 PLC ± 1 PLC ± 2 PLC ± 3 PLC ± 4 PLC ± ANGLES ±
MATERIAL 材料	FINISH 仕上

DWN	 Tyco Electronics EC K.K. Tochigi, Japan			
CHK	NAME 名称			
APVD	OJE-SH-LMH SPEC,000			
PRODUCT SPEC 製品規格	SIZE	CAGE CODE	DRAWING NO 番号	RESTRICTED TO
APPLICATION SPEC 取付適用規格	A3	00779	1461403	
WEIGHT	CUSTOMER DRAWING			
	SCALE 尺度	SHEET	OF	REV
	5:1	2	2	B