

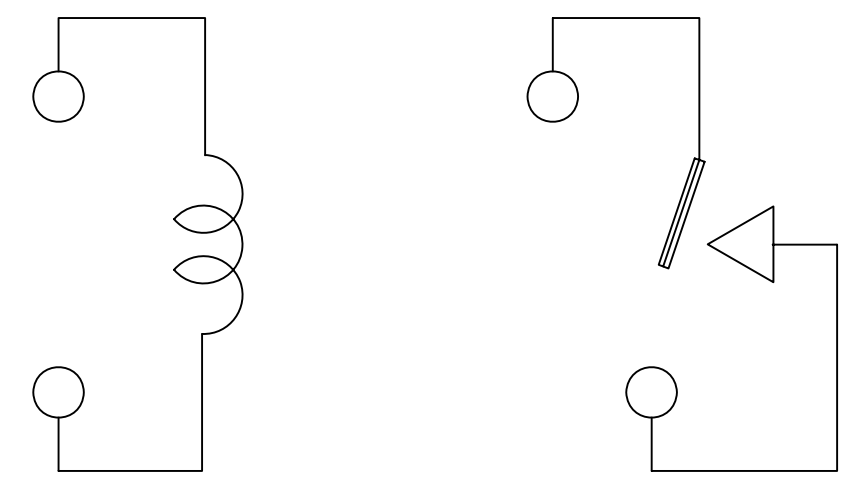
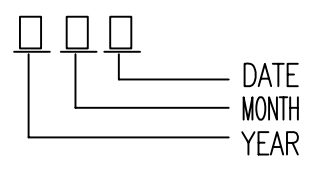
THIS DRAWING IS UNPUBLISHED. RELEASED FOR PUBLICATION
 © COPYRIGHT BY TYCO ELECTRONICS CORPORATION. ALL RIGHTS RESERVED.

LOC HH DIST

REVISIONS 変更

P	LTR	DESCRIPTION	ECN	DATE	DWN	APVD
	01	RELEASE	FK00-0096-04	07-JUN-04	H.S	A.N
A		MODIFY VENT HOLE&ADD NOTE	ECO-06-008136	15-FEB-06	JG	HSU

(A) NOTES:
 1.LOT NUMBERING SYSTEM AS FOLLOWS:



CONNECTION FIGURE

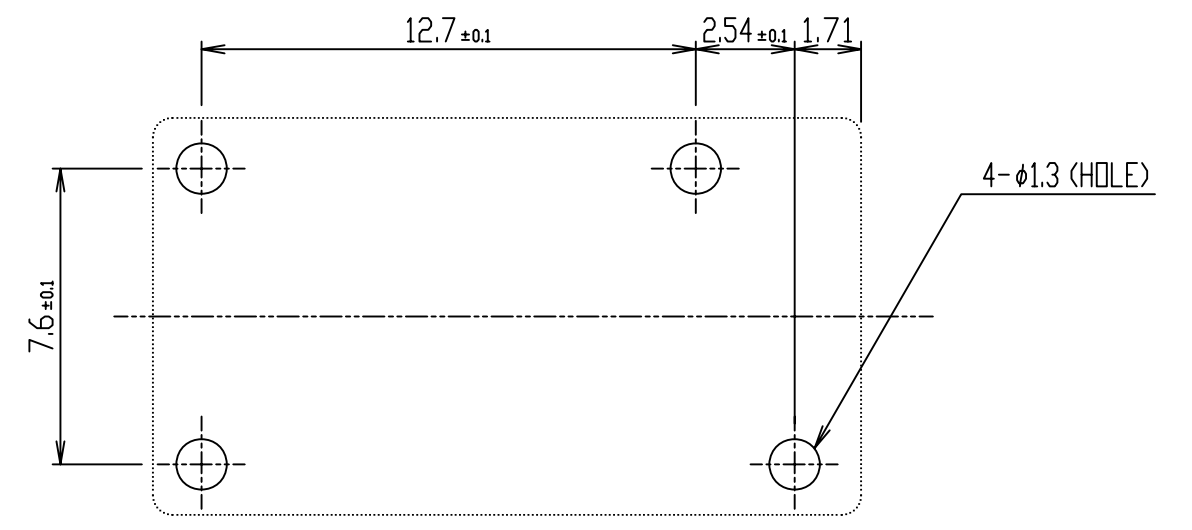
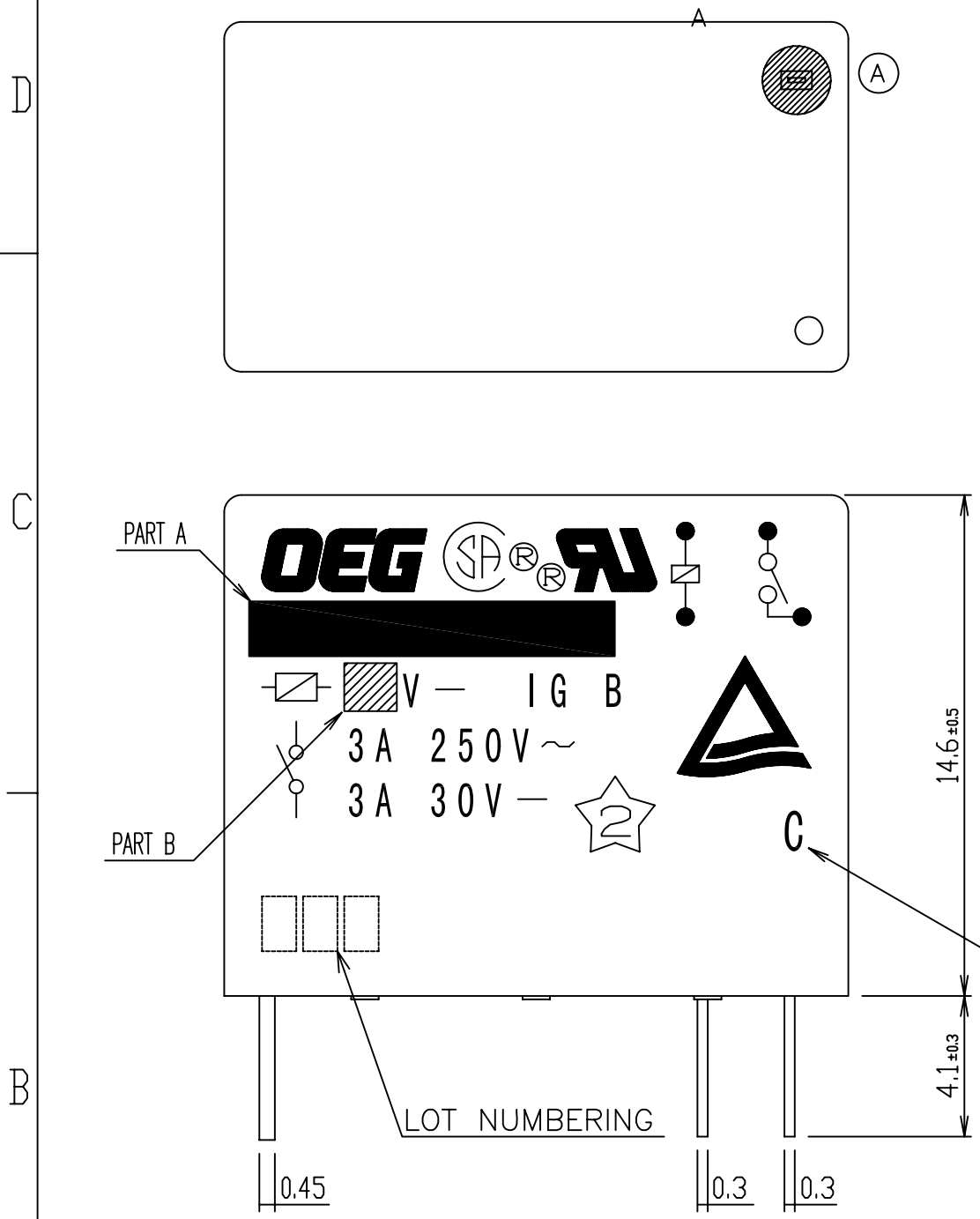
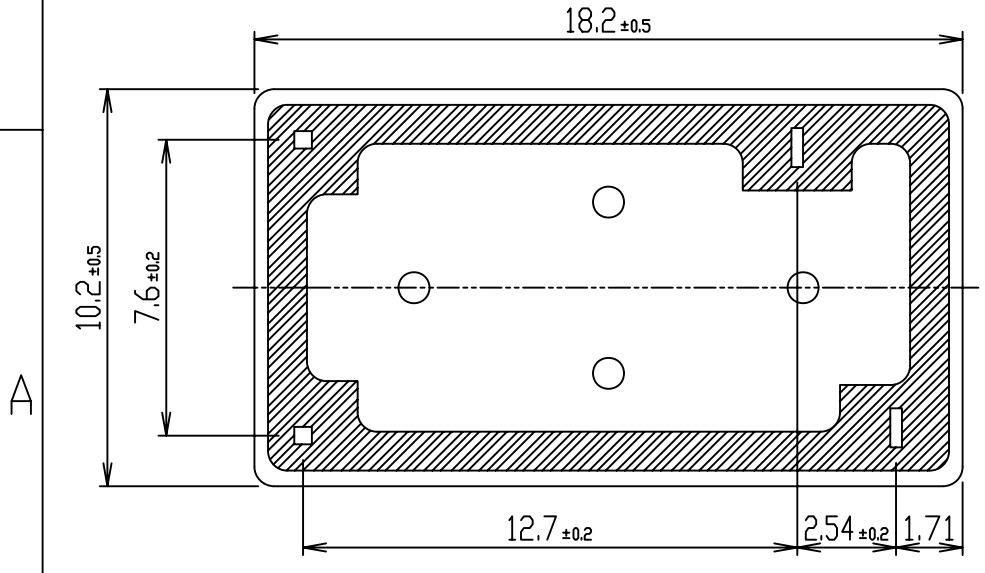


FIGURE FOR PRINTED CIRCUIT BOARD PROCESSING (BOTTOM VIEW)



C:MADE IN CHINA



THIS DRAWING IS A CONTROLLED DOCUMENT FOR TYCO ELECTRONICS CORPORATION. IT IS SUBJECT TO CHANGE AND THE CONTROLLING ENGINEERING ORGANIZATION SHOULD BE CONTACTED FOR THE LATEST REVISION.		DWN H.SASAKI	Tyco Electronics EC K.K. Tochigi, Japan	
DIMENSIONS: 単位: 寸 mm		CHK Y.OIKAWA		
TOLERANCES UNLESS OTHERWISE SPECIFIED:		APVD A.NAGAI	NAME 名称	
0 PLC ±		PRODUCT SPEC 製品規格 SEE PRODUCT SPEC	OJE-SH-LM SPEC,000	
1 PLC ±		APPLICATION SPEC 取付適用規格	SIZE A3	CAGE CODE 00779
2 PLC ±		WEIGHT	DRAWING NO 番号 1461401	RESTRICTED TO
3 PLC ±		CUSTOMER DRAWING	SCALE 5:1	
4 PLC ±			SHEET 1 OF 2	
ANGLES ±		REV A		
FINISH 仕上				

4

3

2

1

THIS DRAWING IS UNPUBLISHED.

RELEASED FOR PUBLICATION

© COPYRIGHT

BY TYCO ELECTRONICS CORPORATION. ALL RIGHTS RESERVED.

LDC
HH

DIST


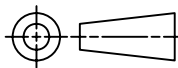
REVISIONS
変更

P	LTR	DESCRIPTION	ECN	DATE	DWN	APVD

1461401-4	OJE-SH-124LM, 000	SEAL UP INSPECTION ON EVERY PRODUCT	108-79039	24V	OJE-SH-124LM	f
1461401-5	OJE-SH-112LM, 000	SEAL UP INSPECTION ON EVERY PRODUCT	108-79038	12V	OJE-SH-112LM	e
1461401-1	OJE-SH-109LM, 000	SEAL UP INSPECTION ON EVERY PRODUCT	108-79037	9V	OJE-SH-109DM	d
1461401-3	OJE-SH-106LM, 000	SEAL UP INSPECTION ON EVERY PRODUCT	108-79036	6V	OJE-SH-106LM	c
1461401-2	OJE-SH-105LM, 000	SEAL UP INSPECTION ON EVERY PRODUCT	108-79035	5V	OJE-SH-105LM	b
1461401-6	OJE-SH-103LM, 000	SEAL UP INSPECTION ON EVERY PRODUCT	108-79034	3V	OJE-SH-103LM	a
AMP PART NO	EC TYPE NAME	DESCRIPTION	PRODUCT SPEC	PART B	PART A	TYPE

RELAY TYPE

AR	AR	AR	AR	AR	AR			UV RESIN	SEEL (VENT HOLE)	16
AR	AR	AR	AR	AR	AR			EPOXY RESIN	SEEL (BASE & BOBBIN)	15
1	1	1	1	1	1			3UEW	MAGNETIC WIRE	14
1	1	1	1	1	1	94V-0		P.B.T	CASE	13
1	1	1	1	1	1	94V-0		P.B.T	BASE	12
1	1	1	1	1	1	94V-0		P.B.T	BOBBIN	11
2	2	2	2	2	2		SOLDER DIP	C.P WIRE	COIL TERMINAL	10
1	1	1	1	1	1	94V-0		P.P.S	CARD	9
1	1	1	1	1	1			Ag	MOVABLE CONTACT	8
1	1	1	1	1	1			Ag	NO.CONTACT	7
1	1	1	1	1	1			STEEL	HINGE SPRING	6
1	1	1	1	1	1		SOLDER DIP	Cu ALLOY	NO.TERMINAL	5
1	1	1	1	1	1		SOLDER DIP	Cu ALLOY	MOVABLE SPRING	4
1	1	1	1	1	1		NIP	STEEL	CORE	3
1	1	1	1	1	1		NIP	STEEL	ARMATURE	2
1	1	1	1	1	1		NIP	STEEL	YOKE	1
f	e	d	c	b	a	INCOMBUSTIBILITY	TREATMENT	MATERIAL	DESCRIPTION	ITEM

THIS DRAWING IS A CONTROLLED DOCUMENT FOR TYCO ELECTRONICS CORPORATION IT IS SUBJECT TO CHANGE AND THE CONTROLLING ENGINEERING ORGANIZATION SHOULD BE CONTACTED FOR THE LATEST REVISION.		DWN	 Tyco Electronics EC K.K. Tochigi, Japan		
DIMENSIONS: 單位: 耗 mm		CHK			
		APVD	NAME 名称		
TOLERANCES UNLESS OTHERWISE SPECIFIED: 0 PLC ± 1 PLC ± 2 PLC ± 3 PLC ± 4 PLC ± ANGLES ±		PRODUCT SPEC 製品規格	OJE-SH-LM SPEC,000		
MATERIAL 材料		APPLICATION SPEC 取付適用規格	SIZE A3	CAGE CODE 00779	DRAWING NO 番号 1461401
FINISH 仕上		WEIGHT	RESTRICTED TO		
CUSTOMER DRAWING		SCALE 尺度	SHEET 2 OF 2		REV A