

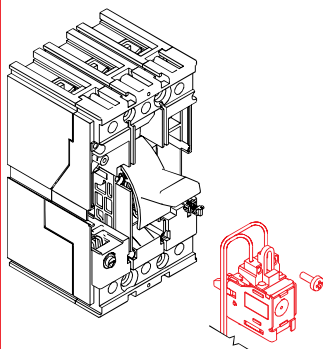
Accessories

Electrical

T1 - T7



KT3S4



T1 with KT3S4



T7 X1 Shunt trip - UVR

Shunt trips -(Standard) ①

For remote opening of circuit breaker. Guaranteed operation for a voltage of between 75-110% of the rated power supply voltage. T1-T6 mounts in the left hand cavity cannot be used with UVR on 2-3P breakers

Frame Size	Voltage	Factory Installation ①		Field Installation						
		Catalog number suffix	List price adder	Catalog number	List Price					
T1-T3	480 - 500VAC 220-250VAC/DC 380 - 440VAC 110 - 125VAC/DC 48 - 60VAC/DC 24 - 30VAC/DC 12VDC	S1	\$ 535	KT3S1 KT3S2 KT3S3 KT3S4 KT3S7 KT3S8 KT3S9	\$ 490					
		S2								
		S3								
		S4								
		S7								
		S8								
		S9								
		Ts3				480VAC/250VDC 240 VAC 120VAC/125VDC 48VDC 24VAC/VDC 12VDC	S1	535	KTS3S1 KTS3S2 KTS3S4 KTS3S7 KTS3S8 KTS3S9	490
							S2			
S4										
S7										
S8										
S9										
T4, T5, T6 ③	480-500VAC 220/250VAC/DC 380-440VAC 110-125VAC/DC 48-60VAC/DC 24VAC/DC 12VDC		S1	535	KT5S1 KT5S2 KT5S3 KT5S4 KT5S7 KT5S8 KT5S9		490			
			S2							
			S3							
		S4								
		S7								
		S8								
		S9								
		T7	415-440VAC 380-400VAC 240-250VAC/DC 220-240VAC/DC 120-127VAC/DC 110-120VAC/DC 60VAC/DC 48VAC/DC 30VAC/DC 24VAC/DC			S1		535	KT7XS1 KT7XS2 KT7XS3 KT7XS4 KT7XS5 KT7XS6 KT7XS7 KT7XS8 KT7XS9 KT7XS0	490
						S2				
S3										
S4										
S5										
S6										
S7										
S8										
S9										
S0										

Shunt trip connector (REQUIRED for Ts3) ②

Frame Size	Mounting	Installation	Field Kit	List Price
Ts3	Fixed Mount ②	Included when shunt trip factory installed	KTS3C-SU	\$ 45
Ts3	Draw-out ②	Included when shunt trip factory installed	KTS3C-SUP	

Shunt trips (Permanent Supply) ①

For remote opening of circuit breaker. Guaranteed operation for a voltage of between 75-110% of the rated power supply voltage. These shunt trips have much lower power consumption.

Frame Size	Voltage	Factory Installation ①		Field Installation	
		Catalog number suffix	List price adder	Catalog number	List Price
Ts3	24VDC 120VAC	SA	\$ 535	KTS3SA KTS3SB	\$ 490
		SB			
T4, T5, T6 ③	24-30VDC 110/120VAC	SA	535	KT5SA KT5SB	490
		SB			

Shunt trip connector (REQUIRED for Ts3) ②

Frame Size	Mounting	Installation	Field Kit	List Price
Ts3	Fixed Mount ②	Included when shunt trip factory installed	KTS3C-SU	\$ 45
	Draw-out ②	Included when shunt trip factory installed	KTS3C-SUP	

① For factory installation add suffix given to end of circuit breaker catalog number per accessory format.
 ② Must be ordered separately for field installation.
 ③ SAT5 Discount schedule.

Accessories

Electrical

T1 - T7



KT3U2



T7 X1 Shunt trip - UVR

Undervoltage release - UVR

Will trip circuit breaker when connected voltage drops to 35-70% of the undervoltage release voltage rating. Will allow circuit breaker to close when voltage is approximately 85% of the rated voltage. T1-T6 mounts in the left hand cavity cannot be used with shunt trip on 2-3P breakers

Frame Size	Voltage	Factory Installation ①		Field Installation	
		Catalog number suffix	List price adder	Catalog number	List Price
T1-T3	480 - 500VAC	U1	\$ 535	KT3U1	\$ 490
	220-250VAC/DC	U2		KT3U2	
	380 - 440VAC	U3		KT3U3	
	110 - 125VAC/DC	U4		KT3U4	
	60VAC/DC	U5		KT3U5	
	48VAC/DC	U7		KT3U7	
	24 - 30VAC/DC	U8		KT3U8	
Ts3	480VAC	U1	535	KTS3U1	490
	240VAC	U2		KTS3U2	
	24VAC	U3		KTS3U3	
	120VAC	U4		KTS3U4	
	250VDC	U5		KTS3U5	
	125VDC	U6		KTS3U6	
	48VDC	U7		KTS3U7	
	24VDC	U8		KTS3U8	
T4, T5, T6 ③	480-500VAC	U1	535	KT5U1	490
	220/250VAC/DC	U2		KT5U2	
	380-440VAC	U3		KT5U3	
	110-125VAC/DC	U4		KT5U4	
	60VAC/DC	U5		KT5U5	
	48VAC/DC	U7		KT5U7	
	24VAC/DC	U8		KT5U8	
T7	415-440VAC	U1	535	KT7XU1	490
	380-400VAC	U2		KT7XU2	
	240-250VAC/DC	U3		KT7XU3	
	220-240VAC/DC	U4		KT7XU4	
	120-127VAC/DC	U5		KT7XU5	
	110-120VAC/DC	U6		KT7XU6	
	60VAC/DC	U7		KT7XU7	
	48VAC/DC	U8		KT7XU8	
	30VAC/DC	U9		KT7XU9	
	24VAC/DC	U0		KT7XU0	

Undervoltage trip connector (REQUIRED for Ts3) ②

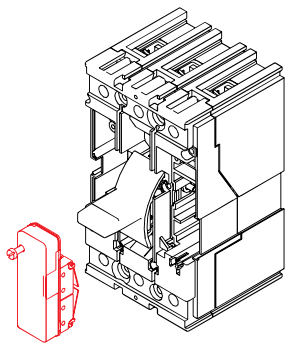
Ts3	Fixed Mount ② Plug-In/Draw-out ②	Field Kit	
		Included when under voltage factory installed Included when under voltage factory installed	KTS3C-SU KTS3C-SUP
			\$ 45

① For factory installation add suffix given to end of circuit breaker catalog number per accessory format.
 ② Must be ordered separately for field installation.
 ③ SAT5 Discount schedule.

Accessories

Electrical

T1 - T7



T1 with K3TAS



KTS3AS

Auxiliary contacts - AUX ①

Auxiliary contacts are for indication of the circuit breaker open-closed. Bell alarm contacts (BA) can be used to indicate circuit breaker tripped.

Frame Size		Factory Installation ①		Field Installation	
		Catalog number suffix	List price adder	Catalog number	List Price
T1-T3 ②	1 Form C + 1BA	A	\$ 433	KT3AS	\$ 380
	3 Form C + 1BA	A3	770	KT3AS3	725
	3 Form C + 1BA 24VDC	A3AU	770	KT3AS3-AU	725
T2	T2 PR221DS 1 Form C + 1BA	A	433	KT2AS-E	380
Ts3	2 Form C	A	430	KTS3AS	275
	1 Form C + 1 BA	BA		KTS3BA	380
T4, T5, T6 ④	1 Form C + 1BA 250VAC/VDC	A	433	KT5AS	388
	3 Form C + 1BA 250VAC/VDC	A3	770	KT5AS3	725
	3 Form C + 1BA 24VDC	A3AU	770	KT5AS3-AU	725
T7	1 Form C + 1BA 400VAC/250VDC	A	446	KT7AS	396
	2 Form C 400VAC/250VDC	A2			
	1 Form C + 1BA 24VDC	AAU			
	2 Form C 24VDC	A2AU			

Auxiliary contact connector (REQUIRED for Ts3) ③

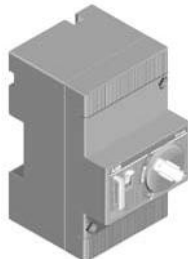
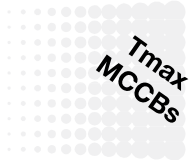
Ts3	Fixed Mount ③ Plug-In /Drawout ③	Included Included	Field Kit	
			KTS3C-AB KTS3C-ABP	\$ 45

① For factory installation add suffix to end of breaker part number per accessory format .
 ② Not compatible for T2 with PR221DS trip unit.
 ③ Must be ordered separately for field installation.
 ④ SAT5 Discount schedule.

Accessories

Motor operators

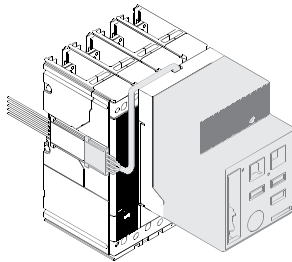
T1 - T7



KT3M1



KT5M2



K1S3M2

Electrical operators

Allows remote opening and closing of circuit breaker

Frame size	Voltage	Catalog number	List price
------------	---------	----------------	------------

Solenoid operator

T1-T3	48 - 60VDC	KT3M1	\$ 850
	110 - 250VAC/DC	KT3M2	

Direct action motor operator

Ts3	240VAC/250VDC	KTS3M2	1,799
	120VAC/125VDC	KTS3M4	
	48VDC	KTS3M7	
	24VDC	KTS3M8	

Motor operator connector (REQUIRED for Ts3) ①

Ts3	Fixed Mount ①	KTS3C-M	45
	Plug-In / Draw-out ①	KTS3C-MP	

Stored energy motor operator

T4, T5	220-250VAC/DC	KT5M2	2,385
	110--125-VAC/DC	KT5M4	
	48-60VDC	KT5M7	
	24VDC	KT5M8	

Contact for remote/manual operation (stored energy operator)

T4, T5, T6 ②	-	KT5MA	220
--------------	---	-------	-----

Stored energy motor operator

T6	220-250VAC/DC	KT6M2	4,990
	110--125-VAC/DC	KT6M4	
	48-60VDC	KT6M7	
	24VDC	KT6M8	
	380VAC	KT6M3	

① Must be ordered separately for field installation
 ② SAT5 Discount schedule.

Accessories

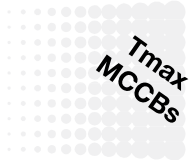
Trip units

Frame Size		Catalog number	List Price
Rating plugs			
T7	400A Rating plug 600A Rating plug 800 Rating plug 1000A Rating plug 1200 Rating plug	KT7X0400RP KT7X0600RP KT7X0800RP KT7X1000RP KT7X1200RP	\$ 125
Modules for T7 PR332 electronic trip units			
T7	Communication module (Modbus RTU) Battery power supply unit ①	PR330/D-M PR030/B	4,500 275
Neutral current transformers (required for 4 wire ground fault systems)			
T4	100A 150A 250A	KT4NCT-100 KT4NCT-150 KT4NCT-250	300
T5	300A 400A	KT5NCT-300 KT5NCT-400	300
T6	600A 800A	KT6NCT-600 KT6NCT-800	770
Test sets			
	Test and configuration unit ③ Trip coil test-all Tmax electronic trip unit except PR33*	PR010/T K7TUT	12,500 210
	External Bluetooth communication module ① Includes diagnostic software for Modbus / Bluetooth networks	BT030	3,335
Actuator module			
T7	Actuator module ②	PR330/R-T7	700

① Always supplied with PR332/P trip unit.
② Must be ordered when using PR330/D-M.
③ Discount schedule EDX.

Technical data

Shunt trips/Undervoltages



Standard shunt trip

Voltage	Inrush Power Consumption							
	T1,T2,T3		Ts3		T4,T5,T6		T7	
	AC (VA)	DC (W)	AC (VA)	DC (W)	AC (VA)	DC (W)	AC (VA)	DC (W)
12 VDC	-	50	-	120	-	150	-	-
24 VAC/DC	-	-	100	100 or 4 ①	-	-	300	300
24...30 VAC/DC	50	50	-	-	150	150	-	-
30 VAC/DC	-	-	-	-	-	-	300	300
48 VAC/DC	-	-	-	120	-	-	300	300
48...60 VAC/DC	60	60	-	-	150	150	-	-
60 VAC/DC	-	-	-	-	-	-	300	300
100...120 VAC/DC	-	-	100 or 4 ①	-	-	-	300	300
120...127 VAC/DC	-	-	-	-	-	-	300	300
110...127 VAC 110...125 VDC	50	50	-	120	150	150	-	-
220...240 VAC/DC	-	-	-	-	-	-	300	300
220...240 VAC 220...250 VDC	50	50	100	120	150	150	-	-
240...250 VAC/DC	-	-	-	-	-	-	300	300
380...400 VAC	-	-	-	-	-	-	300	-
380...440 VAC	55	-	-	-	150	-	-	-
415...440 VAC	-	-	-	-	-	-	300	-
480 VAC	-	-	100	-	-	-	-	-
480...525 VAC	55	-	-	-	150	-	-	-
Opening Time (ms)	15	15	≤15	≤15	15	15	20	20

Permanent supply shunt trip

Voltage	T4,T5,T6	
	AC (VA)	DC (W)
24 VAC/DC	4	4
100...120 VAC	4	-

Undervoltage

Voltage	Power consumption during permanent operation							
	T1,T2,T3		Ts3		T4, T5, T6		T7	
	AC (VA)	DC (W)	AC (VA)	DC (W)	AC (VA)	DC (W)	AC (VA)	DC (W)
24 VAC/DC	-	-	6	3	-	-	3.5	3.5
24...30 VAC/DC	1.5	1.5	-	-	6	3	-	-
30 VAC/DC	-	-	-	-	-	-	3.5	3.5
48 VAC/DC	1	1	6	3	6	3	-	-
60 VAV/DC	1	1	-	-	6	3	-	-
110...120 VAC/DC	-	-	6	-	-	-	3.5	3.5
120...127 VAC/DC	-	-	-	-	-	-	3.5	3.5
110...127 VAC 110...125 VDC	2	2	-	-	6	3	-	-
220...240 VAC/DC	-	-	-	-	-	-	3.5	3.5
220...240 VAC 220...250 VDC	2.5	2.5	-	3	6	3	-	-
220...250 VAC	-	-	6	-	-	-	-	-
240...250 VAC/DC	-	-	-	-	-	-	3.5	3.5
380...400 VAC	-	-	-	-	-	-	3.5	-
380...440 VAC	3	-	-	-	6	-	-	-
415 - 440 VAC	-	-	-	-	-	-	3.5	-
480...525 VAC	4	-	-	-	6	-	-	-
480 VAC	-	-	6	-	-	-	-	-
Opening Time (ms)	15	15	≤18	≤18	≤25	≤25	≤25	≤25

① Shunt trip permanent supply

Technical data

Electrical operators

Electrical operator, T1-T3

Rated Voltage		AC	DC
		-	48...60
		110...250	110...250
Operating Voltage		85...110% Un	
Inrush power absorption during operation		1800 (VA)	1000 (W)
Power on stand by		< 100 (mW)	
Time	opening (s)	< 0.1	
	closing (s)	< 0.1	
Minimum control impulse time on opening and closing (ms)		>100	

This unit is permanently supplied on stand by, a control is applied by means of external contact in a low power circuit.

Contact characteristics:

Voltage AC/DC=24V

Current 50 mA

Electrical operator, Ts3

Rated Voltage		AC	DC
		-	24
		-	48...60
		120	125
		240	250
		440	-
Operating Voltage		85...110 % Un	
Inrush power absorption		500 (VA)	500 (W)
Service power absorption		350 (VA)	350 (W)
Time constant (ms)		18	
Duration	opening (s)	0.1	
	closing (s)	0.1	
Minimum duration of the opening and closing command impulse (ms)		≥150	

Electrical operator, T4-T5

Voltage		AC	DC
		-	24
		-	48...60
		110...125	110...125
		220-250	220-250
		380	-
Operating Voltage		85...110%	
Inrush power consumption		≤ 300VA	≤ 300W
In service power consumption		≤150VA	≤150W
Duration	opening (s)	1.5	
	closing (s)	< 0.1	
	resetting (s)	3	
Minimum duration of the opening and closing command impulse (ms)		≥100	

Electrical operator, T6

Voltage		AC	DC
		-	24
		-	48...60
		110-125	110-125
		220-250	220-250
		380	-
Operating Voltage		85...110%	
Inrush power consumption		≤ 400VA	≤ 400W
In service power consumption		≤150VA	≤150W
Duration	opening (s)	3	
	closing (s)	< 0.1	
	resetting (s)	5	
Minimum duration of the opening and closing command impulse (ms)		≥100	

Accessories

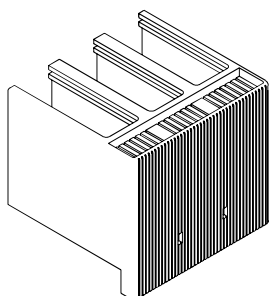
Mechanical

T1 - T7

Tmax
MCCBs



KT3100-3



KT1HTC-3



KT4LTC-3

Standard cable terminal

Frame	Wire Size	Catalog number (set of 3)	List Price	Catalog number (set of 4)	List Price
T1	14 AWG-1/0	Integral	—	Integral	—
T2	14 AWG-1/0	KT2100-3	\$ 9	KT2100-4	\$ 12
T3	14 AWG - 1/0	KT3100-3	9	KT3100-4	12
	4 AWG - 300 kcmil	KT3225-3	18	KT3225-4	24
Ts3	14-2	K3TA ③	6	K3TA-4 ③	8
	14-1/0	K4TB ③	6	K4TB-4 ③	8
	2-4/0	K4TC ③	6	K4TC-4 ③	8
	4-300 kcmil	K4TD ③	15	K4TD-4 ③	20
T4	14 AWG-1/0	KT4100-3	9	KT4100-4	12
	6 AWG-350 kcmil	KT4250-3	30	KT4250-4	40
T5	250 kcmil-500 kcmil	KT5300-3	45	KT5300-4	60
T5 ①	(2) 3/0-250 kcmil	KT5400-3	45	KT5400-4	60
T5 ②	(2) 3/0-500 kcmil	KT5600-3	225	—	—
T6	(2) 250-500 kcmil ③	K6TH ③	75	K6TH-4 ③	100
	(3) 2/0-400 kcmil ③	K6TJ ③	135	K6TJ-4 ③	180
T7 ①	(4) 4/0-500 kcmil	KT7X1200-3	560	KT7X1200-4	747

Standard cable lug kits with power control taps

Frame	Wire Size	Catalog number (set of 3)	List Price	Catalog number (set of 4)	List Price
T3	14 AWG - 1/0	KT3100-3C	\$ 16	KT3100-4C	\$ 19
	4 AWG - 300 kcmil	KT3225-3C	18	KT3225-4C	31
Ts3	14 AWG-1/0	K4TBC	12	K4TBC-4	20
	2 AWG-4/0	K4TCC	12	K4TCC-4	20
	4 AWG-300 kcmil	K4TDC	21	K4TDC-4	31
T4	14 AWG-1/0	KT4100-3C	15	KT4100-4C	20
	6 AWG-350 kcmil	KT4250-3C	36	KT4250-4C	48
T5	250 kcmil-500 kcmil	KT5300-3C	51	KT5300-4C	68
T5 ①	(2) 3/0-250 kcmil	KT5400-3C	51	KT5400-4C	68
T6	(2) 250-500 kcmil	K6THC ③	81	K6THC-4 ③	109
	(3) 2/0-400 kcmil	K6TJC ③	141	K6TJC-4 ③	190

Terminal covers for fixed breakers - Low profile-kit includes two pieces

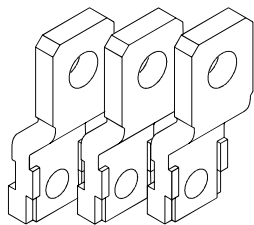
Frame	Catalog number (3 pole)	List Price	Catalog number (4 pole)	List Price
T1	KT1LTC-3	\$ 35	KT1LTC-4	\$ 47
T2	KT2LTC-3	40	KT2LTC-4	54
T3	KT3LTC-3	50	KT3LTC-4	68
Ts3	KTS3LTC-3	55	KTS3LTC-4	74
T4	KT4LTC-3	55	KT4LTC-4	74
T5	KT5LTC-3	60	KT5LTC-4	81
T6	KT6LTC-3	75	KT6LTC-4	101
T7	KT7XLTC-3	80	KT7XLTC-4	108

Terminal covers for fixed breakers - High profile-kit includes two pieces

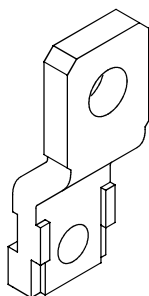
Frame	Catalog number (3 pole)	List Price	Catalog number (4 pole)	List price
T1	KT1HTC-3	\$ 37	KT1HTC-4	\$ 50
T2	KT2HTC-3	43	KT2HTC-4	58
T3	KT3HTC-3	53	KT3HTC-4	72
Ts3	KTS3HTC-3	58	KTS3HTC-4	78
T4	KT4HTC-3	58	KT4HTC-4	78
T5	KT5HTC-3	63	KT5HTC-4	85
T6	KT6HTC-3	85	KT6HTC-4	108
T7	KT7XHTC-3	90	KT7XHTC-4	115

- ① Comes standard with high profile terminal covers.
- ② Uses front extended spreaded terminals... refer to technical catalog.
- ③ Discount schedule SA.

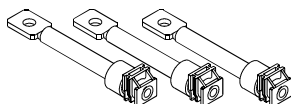
Accessories Mechanical T1 - T7



KT2EF-3



KT4EF-_{..}



KT2R-3

Phase barriers - Low profile 100mm-3.93 in

Frame	4 pcs (3p)	List Price	6 pcs (4p)	List Price
T1-T3	KT3PBL-3	\$ 28	KT3PBL-4	\$ 42
T4-T5	KT5PBL-3	28	KT5PBL-4	42
T6	KT6PBL-3	42	KT6PBL-4	57
T7	KT7PBL-3	50	KT7PBL-4	68

Phase barriers - High profile 200mm-7.87 in

Frame	4 pcs (3p)	List Price	6 pcs (4p)	List Price
T1-T3	KT3PBH-3	\$ 42	KT3PBH-4	\$ 63
T4-T5	KT5PBH-3	42	KT5PBH-4	63
T7	KT7PBH-3	67	KT7PBH-4	90

Saddle terminals for Copper Cables - IEC

Frame	Catalog number (Set of 3)	List Price	Catalog number (Set of 4)	List Price
T2	KT2100S-3	\$ 34	KT2100S-4	\$ 46
T3	KT3225S-3	52	KT3225S-4	70
Ts3	K4TES ③	30	K4TES-4 ④	40
T4	KT4250S-3	41	KT4250S-4	55
T5	KT5300S-3	270	KT5300S-4	365

Extended front terminals

Frame	Catalog number (set of 3)	List Price	Catalog number (set of 4)	List Price
T2	KT2EF-3	\$ 26	KT2EF-4	\$ 35
T3	KT3EF-3	33	KT3EF-4	44
Ts3	KTS3EF-3	65	KTS3EF-4	88
T4	KT4EF-3	55	KT4EF-4	73
T5	KT5EF-3	115	KT5EF-4	155

Rear terminals ①

Frame	Catalog number (set of 3)	List Price	Catalog number (set of 4)	List Price
T2	KT2R-3	\$ 78	KT2R-4	\$ 105
T3	KT3R-3	98	KT3R-4	131
T4	KT4R-3	60	KT4R-4	80
T5	KT5R-3	122	KT5R-4	163
T6	KT6R-3	350	KT6R-4	473
T7	KT7R-3	407	KT7R-4	550

Distribution cable lug kit ②

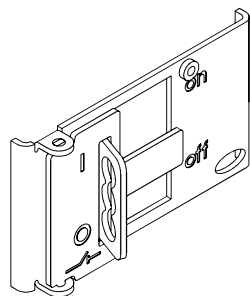
Frame	Wire Size	Catalog number (set of 3)	List Price	Catalog number (set of 4)	List Price
T3	(6) #14-6	KT3TN	\$ 125	KT3TN-4	\$ 167
Ts3	(6) #14-6	KTS3TN	125	KTS3TN-4	169
T4	(6) #14-6	KT4TN	125	KT4TN-4	167
T5	(6) #14-1/0	KT5TGD	240	KT5TGD-4	320

① Includes low profile terminal cover.
 ② Includes high profile terminal cover.
 ③ Set of six, Discount schedule SA.
 ④ Set of eight, Discount schedule SA.

Accessories

Mechanical, T1 - T7

Locking devices and handle operators



KT3LD

Padlock locking device

Frame	Style	Locking Position	Breaker Mounting	Catalog number	List Price
T1,T2,T3	PLL	OPEN/CLOSED OPEN	Fixed	KT3LD KT3LDO	\$ 35
Ts3	FLD	OPEN	Fixed, Plug-In Draw-Out	KTS3FLD KTS3FLDW	87 125
T4-T5	FLD	OPEN	Fixed, Plug-In Draw-out	KT5FLD KT5FLDW	40 55
T6	FLD	OPEN	Fixed, Plug-In Draw-out	KT6FLD KT6FLDW	220 240
T7	PLL	OPEN	Fixed, Drawout	KT7LDO	260

Keylocks-rotary handle mechanism

Frame	Style	Locking Position	Keys	Catalog number	List Price
T1,T2,T3	RHL	OPEN/CLOSED	Different	KT3RHL3	\$ 94
Ts3	-	OPEN	Different	KT53KLFD	58
T4-T5	KLF-D	OPEN	Different	KT5KLFD	58
T6	KLF-D	OPEN	Different	KT6KLFD	68
T7	KLF-D	OPEN	Different	KT7KLFD	79



KT5RH

Direct mount rotary operator handle

Frame	Breaker Mounting	Catalog number	List Price
T1,T2,T3	Fixed, Plug-In	KT3RH	\$ 146
Ts3	Fixed, Plug-In	KTS3RH	150
Ts3	Draw-out	KTS3RHW	150
T5	Fixed, Plug-In	KT5RH	135
T5	Draw-Out	KT5RHW	135
T6	Fixed, Plug-In	KT6RH	450
T6	Draw-out	KT6RHW	450
T7	Fixed, Plug-In	KT7RH	450

Variable depth handle operators

Frame	NEMA rating	Mechanism catalog number	List Price	Shaft catalog number	List Price	Handle catalog number	List Price
T1-T3	1,3R,12	-	-	-	-	OHB65J6 ① OHY65J6 ①	\$ 80
	4, 4X	KT3VD-M	\$ 72	OXp6X430 (16.9") ②	\$ 28	OHB80L6 ① OHY80L6 ①	130
	1	-	-	KT3VD-S (11.8")	35	KT3VD-H	87
Ts3	1,3R,12	-	-	OXp10X148 (5.8") ②	24	OHB95J10 ① OHY95J10 ①	80
	4,4X	KTS3VD-M	72	OXp10X225 (8.9") ①	26	OHB95L10 ① OHY95L10 ①	120
	-	-	-	OXp10X500 (19.7") ①	32	-	-
	1	-	-	KT3VD-S (20")	35	KTS3VD-H	87
T4-T5	1,3R,12	-	-	OXp10X148 (5.8") ①	24	OHB95J10 ① OHY95J10 ①	80
	4,4X	KT5VD-M	65	OXp10X225 (8.9") ①	26	OHB95L10 ① OHY95L10 ①	120
	-	-	-	OXp10X500 (19.7") ①	32	-	-
	-	-	-	-	-	-	-
	1	-	-	KT5VD-S (19.7")	36	KT5VD-H	87
T6	1,3R,12	-	-	OXp10X148 (5.8") ①	24	OHB125J10 ① OHY125J10 ①	90
	4,4X	KT6VD-M	370	OXp10X225 (8.9") ①	26	OHB125L10 ①	130
	-	-	-	OXp10X500 (19.7") ①	32	-	-
	1	-	-	KT5VD-S (19.7")	36	KT6VD-H	210
T7	1,3R,12	-	-	OXp10X148 (5.8") ①	24	OHB175J10 ① OHY175J10 ①	100
	-	KT7VD-M	370	OXp10X225 (8.9") ①	26	OHB175L10 ①	140
	1	-	-	OXp10X500 (19.7") ①	32	-	-
				KT7VD-S (19.7")	130	KT7VD-H	231



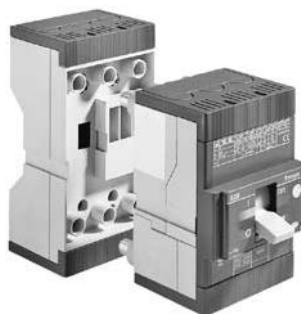
OHB65J6



OHB125J10

① Discount schedule SH.
② Discount schedule H6.

Accessories Mechanical, T1 - T7



KT2PFF + KT2PMK (on back of breaker) + breaker



KT4PMK (on back of breaker)

Plug-in kits ①

Frame	Catalog number Adapter moving part	List Price	Catalog number fixed part	List Price
T2 - 3 pole with front terminals	KT2PMK	\$ 171	KT2PFF	\$ 238
T3 - 3 pole with front terminals	KT3PMK	190	KT3PFF	264
T2-T3 Fixed parts accept the same cable and rear terminal kits as the circuit breakers				
Ts3 3 pole with front terminals	KTS3PMK	250	KTS3PFF	305
Ts3 3 pole with rear terminals			KTS3PFR	
T4 3 pole with extended front terminal	KT4PMK	250	KT4PFEF	710
T4 3 pole with rear horizontal terminals			KT4PFHR	766
T4 3 pole with rear vertical terminals			KT4PFVR	766

400A

T5 400A 3 pole with extended front terminal	KT5PMK	350	KT5PFEF	810
T5 400A 3 pole with rear horizontal terminal			KT5PFHR	866
T5 400A 3 pole with rear vertical terminal			KT5PFVR	866

600A

T5 600A 3 pole with extended front terminal	KT56PMK	501	KT56PFEF	1,158
T5 600A 3 pole with rear horizontal terminal			KT56PFHR	1,238
T5 600A 3 pole with rear vertical terminal			KT56PFVR	1,238

Plug connectors, T1-T3

Required when adding accessories to plug-in breakers

Plug Connector	Catalog number	List price
Shunt trip or UVR	KT3PC-3	\$ 18
1 form C plus 1 BA	KT3PC-6	21
3 form C plus 1 BA	KT3PC-12	24

Adaptors, T4-T6 ②

Required when adding accessories to plug-in or drawout breakers

Adaptors	Catalog number	List price
1 form C plus 1 BA	KT5ADP-6	\$ 24
Shunt trip/UVR	KT5ADP-6	24
Stored energy operator	KT5ADP-10	30
Stored energy operator plus shunt trip/UVR	KT5ADP-10	30
3 form C plus 1BA	KT5ADP-12	35

① Plug connectors (T2-T3), Adaptors (T4-T5), required when adding accessories to plug-in breakers.

② SAT5 Discount schedule.

Accessories

T1 - T7

Tmax
MCCBs



KT4WMK (on back of breaker)

Draw-out kits ①

Item	Catalog number Adaptor moving part	List Price	Catalog Number Fixed part	List Price
Ts3 3 pole with front terminals	KTS3WMK	\$ 290	KTS3WFF ③	\$ 790
Ts3 3 pole with rear terminals			KTS3WFR ③	
T4 3 pole with extended front terminal	KT4WMK	290	KT4WFEF	816
T4 3 pole with rear horizontal terminals			KT4WFHR	1,021
T4 3 pole with rear vertical terminals			KT4WFVR	1,021
400A				
T5 3 pole with extended front terminal	KT5WMK	407	KT5WFEF	931
T5 3 pole with rear horizontal terminal			KT5WFHR	1,154
T5 3 pole with rear vertical terminal			KT5WFVR	1,154
600A				
T5 3 pole with extended front terminal	KT56WMK	582	KT56WFEF	1,331
T5 3 pole with rear horizontal terminal			KT56WFHR	1,650
T5 3 pole with rear vertical terminal			KT56WFVR	1,650
T6 3 pole with extended front terminal	KT6WMK	670	KT6WFEF ③	1,844
T6 3 pole with rear horizontal terminal			KT6WFHR ③	1,844
T6 3 pole with rear vertical terminal			KT6WFVR	2,144
T7 3 pole with horizontal/vertical terminals	KT7XWMK	755	KT7WFHR ②	2,567

Adaptors — T4-T6 ④

Required when adding accessories to plug-in or drawout breakers

Adaptors	Catalog number	List price
1 form C plus 1 BA	KT5ADP-6	\$ 24
Shunt trip/UVR	KT5ADP-6	24
Stored energy operator	KT5ADP-10	30
Stored energy operator plus shunt trip/UVR	KT5ADP-10	30
3 form C plus 1BA	KT5ADP-12	35

Sliding contact blocks — T7-Draw-out

Item	Moving Part Breaker	List Price	Fixed Part Cradle	List Price
Left Block Spring charging motor Spring charged contact Ready to close contact Early auxiliary contact Contact for trip coil release trip Trip rest	KT7XSCMP-L	\$ 160	KT7SCFP-L	\$ 185
Center Block PR331 PR332	KT7XSCMP-C	160	KT7XSCFP-C	310
Right Block Auxiliary contacts Shunt trip Closing Coil Undervoltage release	KT7XSCMP-R	160	KT7XSCFP-R	310

If at least one of the accessories in table is installed on the breaker - respective pair of contact blocks must be installed on the fixed part (cradle) and the moving part. (breaker)

Position key lock — T7 - T7M-X1

Item	Catalog number	List Price
Key #20005 Different key	KT7XPL2 KT7XPL1	\$ 202

Locks drawout breaker in racked-in / test isolation / racked-out position.

Position key lock accessory — T7 - T7M-X1

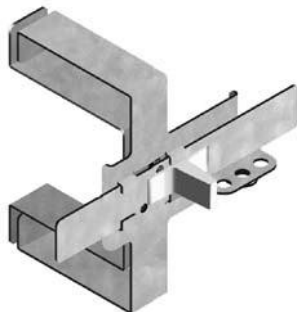
Item	Catalog number	List Price
Key lock accessory	KT7XPLA	\$ 35

Accessory added to position key lock allows breaker to be locked in racked-out position only.

① Adaptors (T4-T6), Sliding contact blocks (T7) required when adding accessories to draw-out breakers.
 ② Comes standard with horizontal terminals field convertible to vertical
 ③ IEC
 ④ SAT5 Discount schedule.

Accessories

T1 - T7



KT3MIF2

DIN rail adapters

Item	Catalog Number	List Price
T1/T2 (mounts on 35 mm DIN rail 15mm high)	KT2DIN	\$ 33
T3 (mounts on 35mm DIN rail 15mm high)	KT3DIN	41
Ts3 (mounts on 75 mm DIN rail)	KTS3DIN	51

Mechanical interlocks

Item	Catalog Number	List Price
T1-T3		
Sliding bar interlock-front mounted (2 Breakers)	KT3MIF2	\$ 625
Sliding bar interlock-front mounted (3 Breakers)	KT3MIF3	844
T3		
Rear Interlock-horizontal	KT3MI-H	896
Rear Interlock-vertical	KT3MI-V	985
TS3		
Horizontal	KTS3MI-H	798
Vertical	KTS3MI-V	798
T4-T5 ①		
Interlock frame		
Mechanical Interlock frame-horizontal	KT5MIR-HB	490
Mechanical Interlock frame-vertical	KT5MIR-VB	588
Plate type		
A T4 (F-P-W) T4 (F-P-W)	KT5MIR-PA	210
B T4 (F-P-W) T5 400 (F-P-W) OR T5 600 (F)	KT5MIR-PB	
C T4 (F-P-W) T5 600 (P-W)	KT5MIR-PC	
D T5 (F-P-W) T5 400 (F-P-W) OR 630 (F)	KT5MIR-PD	
E T4 (F-P-W) T5 600 (P-W)	KT5MIR-PE	
F T4 (F-P-W) T5 600 (P-W)	KT5MIR-PF	
T6		
Horizontal	KT6MI-H	620
Vertical	KT6MI-V	
T7 ②		
Cable T7-X1	KT7XMLC	270
Mech. interlock plate-fixed	KT7XMLPW	670
Mech. interlock plate-draw-out	KT7XMLPF	670

① T4-T5 Complete assembly consists of one interlock frame and one plate.

② To interlock two circuit breakers, you have to order a cable kit and two plates.