

OH - 1021

Logic output, Long sensing distance (Typical ranges 2 - 30mm)
 Detects dark objects and OHP transparencies
 Choice of several connector styles or wire leads available
 Rejects ambient light (2,000LUX Maximum)
 Vertical or horizontal mounting holes



Sensing Distance	2~30mm
Output Type	Open collector, photo IC
Dimensions (L X W X H)	33 X 9.6 X 11mm

Maximum Ratings (Ta=25°C)

Item	Symbol	Value
Supply Voltage	V_{CC}	6V
Output Voltage (Tr)	V_{OUT}	16V
Output Current	I_{OUT}	50mA
Operating Temp.	T_{opr}	-10° ~ +60°C
Storage Temp.	T_{stg}	-30° ~ +80°C
Vibration		10-55-10Hz, 1.5mm Ampl.
Shock		30G's or more
Tightening torque		4kgf • cm

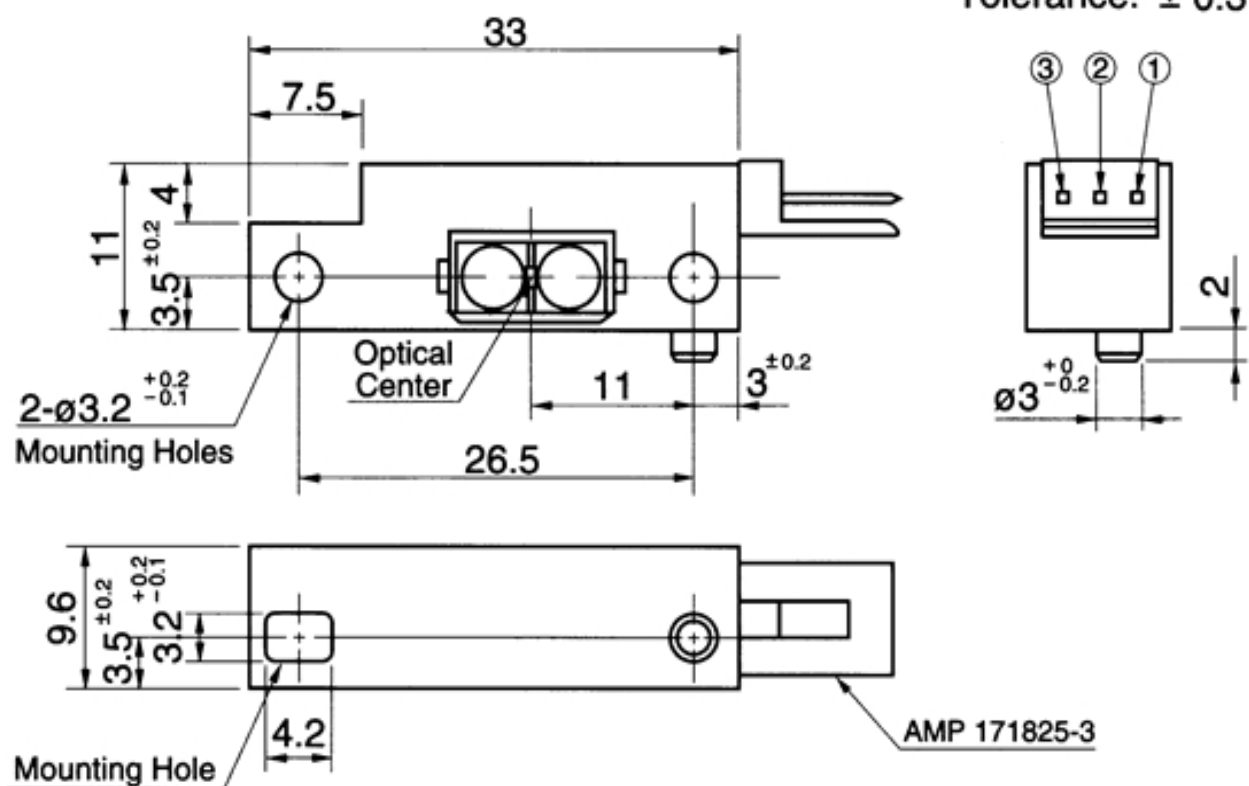
* (Tr)=Output Transistor

Electrical Characteristics (Ta=25°C)

Opto Path*	Item	Symbol	Value	Conditions
Blocked	Current Consumption	I_{CC}	20mA Max	$V_{CC}=5V R_L=?$
	Output Voltage Low	V_{OL}	0.4V Max	$V_{CC}=5V R_L=10k\Omega$
Open	Current Consumption	I_{CC}	20mA Max	$V_{CC}=5V R_L=?$
	Output Voltage High	V_{OH}	$(V_{CC} \times 0.9)V$ Min	$V_{CC}=5V R_L=10k\Omega$
Response Time		+PHL	1.0mS Max	RL=1k ohms
		+PLH		

* Reflective efficiency 90% white paper

Dimensions

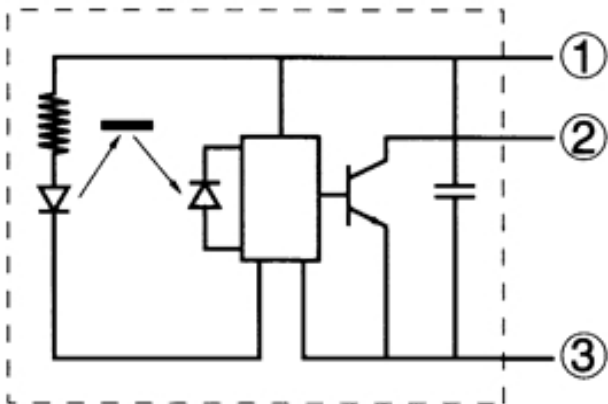


Dimensions in mm

(1mm = 0.0394 inches)

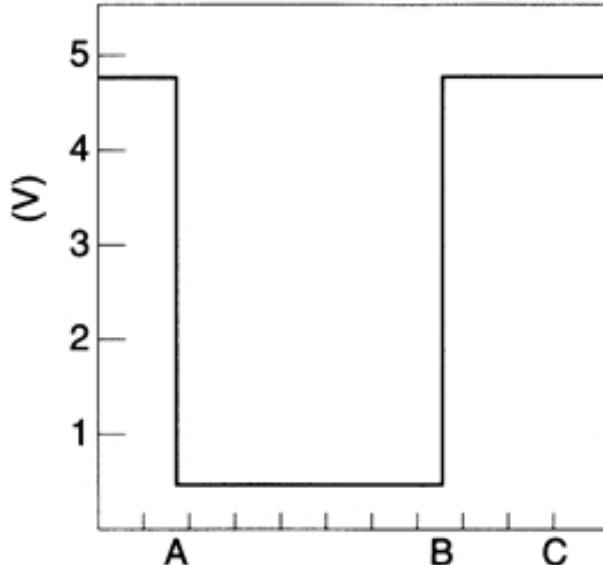
Please contact ALEPH for detailed specifications on OH - sensor family.

Schematic



1	V_{CC}	Power Supply
2	V_{OUT}	Output
3	GND	Ground

Sensing Distance



When ordering specify:

A B - Operating Range
 C - Off Distance
 Type of media being sensed

For OH - 102100 - 705:

A - 2 mm
 B - 22 mm
 C = 60 mm
 Media sensed: 90% white paper