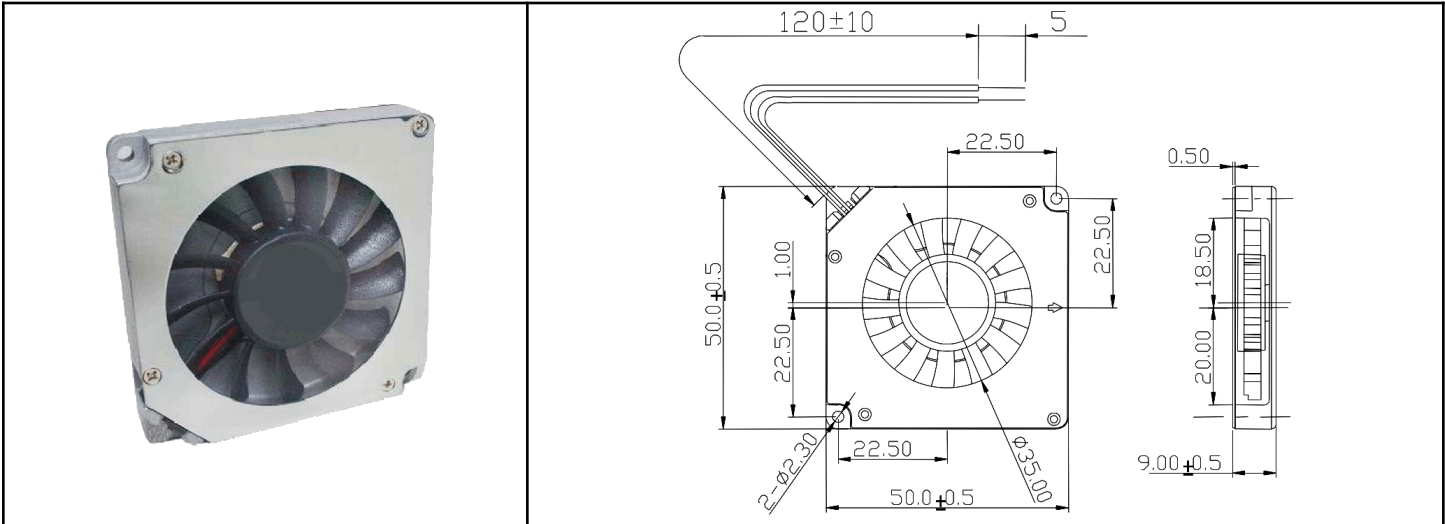


ODB5009 Series



Side Inlet DC Blower
50 x 50 x 09mm



| | | | |
|-----------------------|---|--|--|
| Frame & Impeller | PBT, UL94V-O plastic | Available Options: Additional speeds and volt-ages are available IP55 Environmental protec-tion available by special order. | |
| Connection | 2x Lead wires | | |
| Motor | Brushless DC, auto restart, polarity protected | | |
| Bearing System | ball bearing | | |
| Insulation Resistance | 10M ohm between leadwire and frame (500VDC) | | |
| Dielectric Strength | 1 second at 500 VAC, max leakage - 500 MicroAmp | | |
| Temperature Range | -10C ~ +70C | | |
| Life (L10) | 50,000 hours (45C) | | |

| Model Number | ODB5009-05HB | ODB5009-12HB |
|----------------------|--------------|--------------|
| Part Number | 102541001 | 102141001 |
| Nominal Voltage | 5 VDC | 12 VDC |
| Nominal Current | 0.10 A | 0.11 A |
| Rated Power | 0.5 W | 0.7 W |
| Rated Speed (RPM) | 5000 | 5000 |
| Airflow (CFM) | 3 | 3 |
| Noise Level (dB) | 34 | 34 |
| Max. Static Pressure | 0.31" H2O | 0.31" H2O |