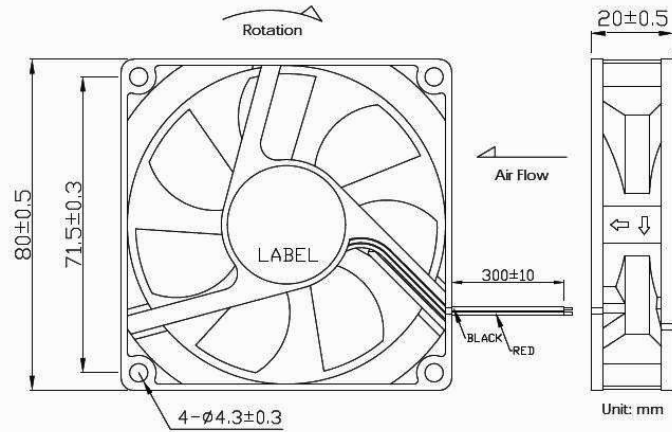


OD8020 Series



DC Fan, 12V, 24V
80x20mm (3.15"x0.8")



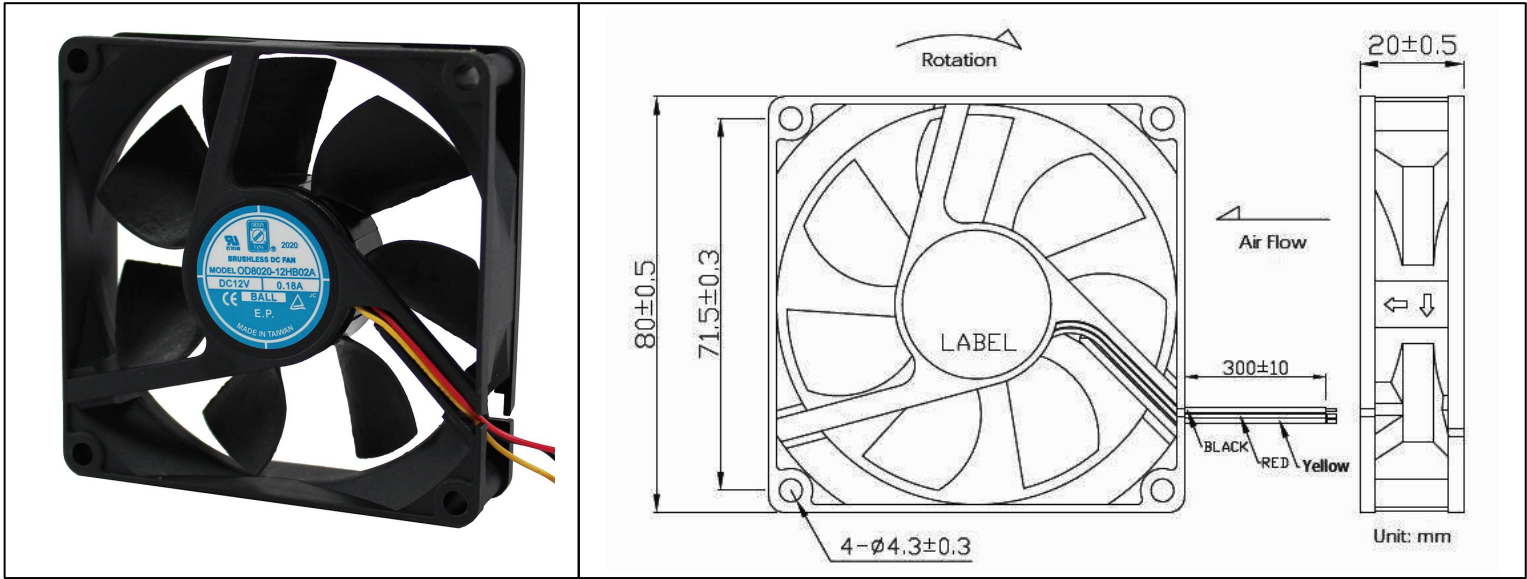
Frame	PBT, UL94 V-0 plastic	Operating Temperature -20°C ~ +65°C Storage Temperature -20°C ~ +75°C Life Expectancy 60,000 hours (L10 at 45°C) Available Options Tachometer Alarm PWM Sealed Sleeve Weight: 0.17 lbs m0	
Impeller	PBT, UL94 V-0 plastic		
Connection	2x Lead wires, 26 AWG		
Motor	Brushless DC, Auto Restart, Auto Cutoff, Polarity Protected, Electronically Protected		
Bearing System	Dual Ball Bearings		
Dielectric Strength	500VAC/min		
Insulation Resistance	10M ohm between leadwires and frame (500 VDC)		

Part Number	Rated Voltage	Input Power	Rated Current	Rated Speed (RPM)	Airflow (CFM)	Noise Level (dB)	Max. Static Pressure
OD8020-12HB	12 VDC	2.2 W	0.18 A	3400	40	36	0.18"H ₂ O
OD8020-12MB	12 VDC	1.8 W	0.15 A	2800	32	29	0.11"H ₂ O
OD8020-12LB	12 VDC	1.4 W	0.12 A	2400	27	25	0.09"H ₂ O
OD8020-24HB	24 VDC	2.9 W	0.12 A	3400	40	36	0.18"H ₂ O
OD8020-24MB	24 VDC	2.4 W	0.10 A	2800	32	29	0.11"H ₂ O
OD8020-24LB	24 VDC	2.0 W	0.08 A	2400	27	25	0.09"H ₂ O

OD8020-12HB02A

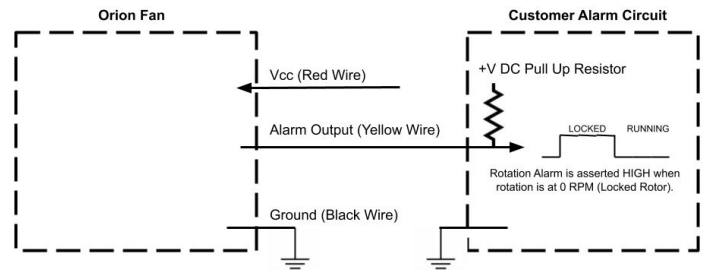


DC Fan, 12V
80x20mm (3.15"x0.8")



Frame	PBT, UL94 V-0 plastic	<p><u>Operating Temperature</u> -20°C ~ +65°C</p> <p><u>Storage Temperature</u> -20°C ~ +75°C</p> <p><u>Life Expectancy</u> 60,000 hours (L10 at 45°C)</p> <p>*Red (+), Black (-), Yellow (Alarm)</p> <p>Weight: 0.17 lbs</p> <p>m0</p>	
Impeller	PBT, UL94 V-0 plastic		
Connection	3x Wire Leads, 26 AWG		
Motor	Brushless DC, Auto Cutoff, Auto Restart, Electronically Protected, Polarity Protected		
Bearing System	Dual Ball Bearings		
Dielectric Strength	500VAC/min		

Part Number	OD8020-12HB02A
Rated Voltage	12 VDC
Voltage Range	7 ~ 13.8
Input Power	2.2 W
Rated Current	0.18 A
Rated Speed (RPM)	3400
Airflow (CFM)	40
Noise Level (dB)	36
Max. Static Pressure	0.18"H ₂ O

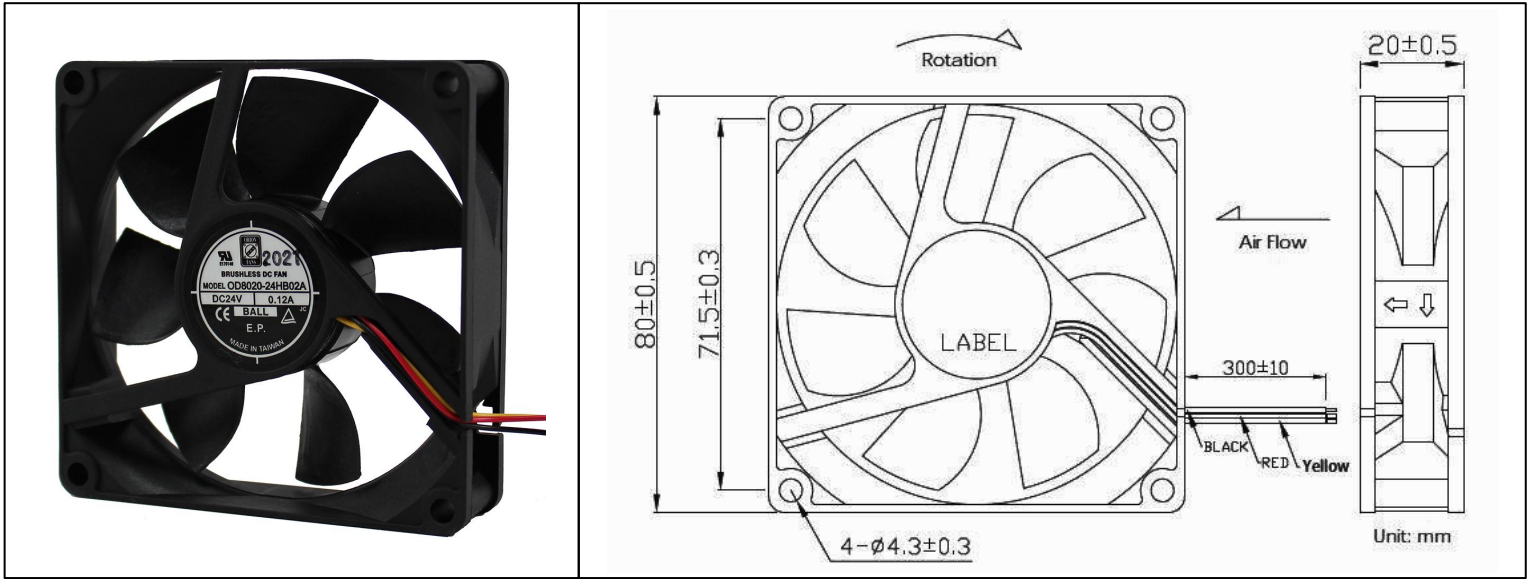


Alarm Max Pull-up Voltage = 12V
 Alarm Max Current = 6mA
 Alarm Low Voltage = ≤0.5V

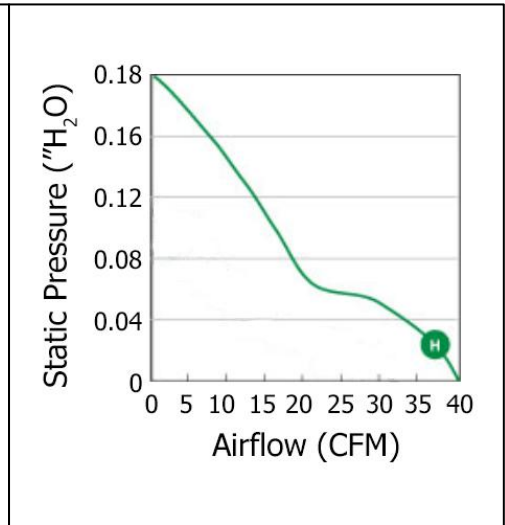
OD8020-24HB02A



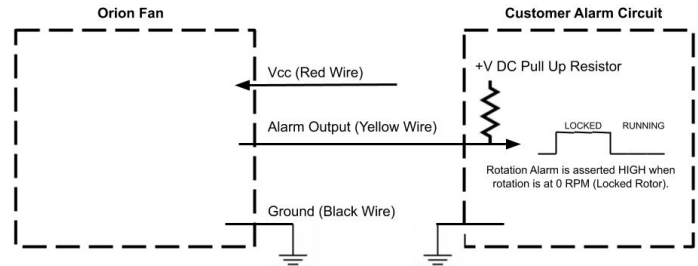
DC Fan, 24V
80x20mm (3.15"x0.8")



Frame	PBT, UL94 V-0 plastic	<u>Operating Temperature</u> -20°C ~ +65°C
Impeller	PBT, UL94 V-0 plastic	<u>Storage Temperature</u> -20°C ~ +75°C
Connection	3x Wire Leads, 26 AWG	<u>Life Expectancy</u> 60,000 hours (L10 at 45°C)
Motor	Brushless DC, Auto Cutoff, Auto Restart, Electronically Protected, Polarity Protected	*Red (+), Black (-), Yellow (Alarm)
Bearing System	Dual Ball Bearings	Weight: 0.17 lbs
Dielectric Strength	500VAC/min	m0



Part Number	OD8020-24HB02A
Rated Voltage	24 VDC
Voltage Range	12 ~ 27.6
Input Power	2.9 W
Rated Current	0.12 A
Rated Speed (RPM)	3400
Airflow (CFM)	40
Noise Level (dB)	36
Max. Static Pressure	0.18"H ₂ O



Alarm Max Pull-up Voltage = 24V
Alarm Max Current = 6mA
Alarm Low Voltage = ≤0.5V