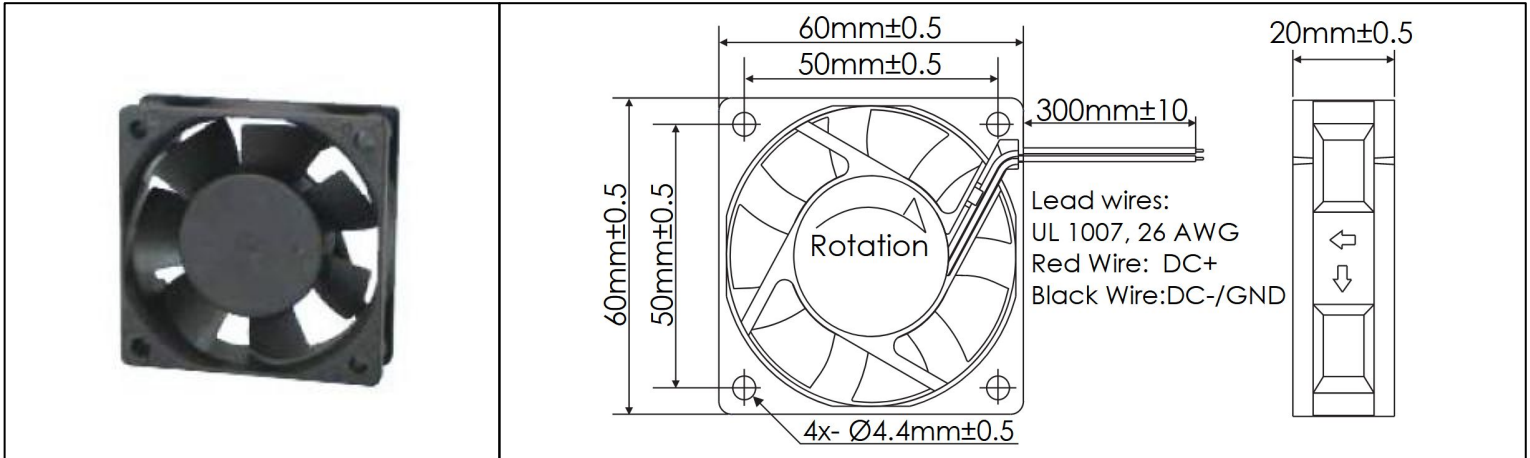


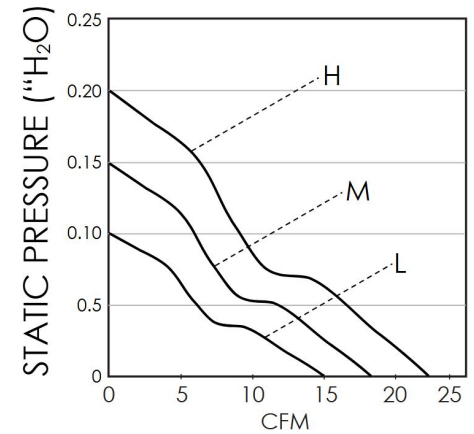
# OD6020 Series



DC Fans - 5V, 12V, 24V  
60mm x 20mm (2.4" x 0.8")



<b>Frame</b>	PBT, UL94 V-0 Plastic	<b>Operating Temperature</b> -20°C ~ +65°C
<b>Impeller</b>	PBT, UL94 V-0 Plastic	
<b>Connection</b>	2x Lead Wires, 26 AWG	<b>Storage Temperature</b> -20°C ~ +75°C
<b>Motor</b>	Brushless DC, Auto Cutoff, Auto Restart, Polarity Protected, Electronically Protected	
<b>Bearing System</b>	Ball Bearings	<b>Life Expectancy</b> 60,000 Hours (L10 at 45°C)
<b>Dielectric Strength</b>	500VDC/min, < 1mA	
<b>Insulation Resistance</b>	≥10M Ohm @ 500 VDC	<b>Available Options</b> PWM Speed Control Input Tachometer Output Alarm Output Sealed Sleeve Bearings IP Ratings
		<b>Weight:</b> 0.13 lbs



Part Number	Rated Voltage (Volts)	Voltage Range (Volts)	Input Power (Watts)	Rated Current (Amps)	Rated Speed (RPM)	Max Airflow (CFM)	Noise Level (dBA)	Max Static Pressure ("H <sub>2</sub> O)
OD6020-05MB	5	4.5 ~ 5.5	1.3	0.25	4675	17.4	28.3	0.15
OD6020-05LB	5	4.5 ~ 5.5	1.0	0.19	3790	14.9	26.2	0.10
OD6020-12HB	12	8 ~ 13.8	2.2	0.18	5550	22.8	33.4	0.20
OD6020-12MB	12	8 ~ 13.8	2.2	0.18	4675	17.4	28.3	0.15
OD6020-12LB	12	8 ~ 13.8	1.8	0.15	3790	14.9	26.2	0.10
OD6020-24HB	24	15 ~ 26	3.6	0.15	5550	22.8	33.4	0.20
OD6020-24MB	24	15 ~ 26	3.6	0.15	4675	17.4	28.3	0.15
OD6020-24LB	24	15 ~ 26	3.1	0.13	3790	14.9	26.2	0.10