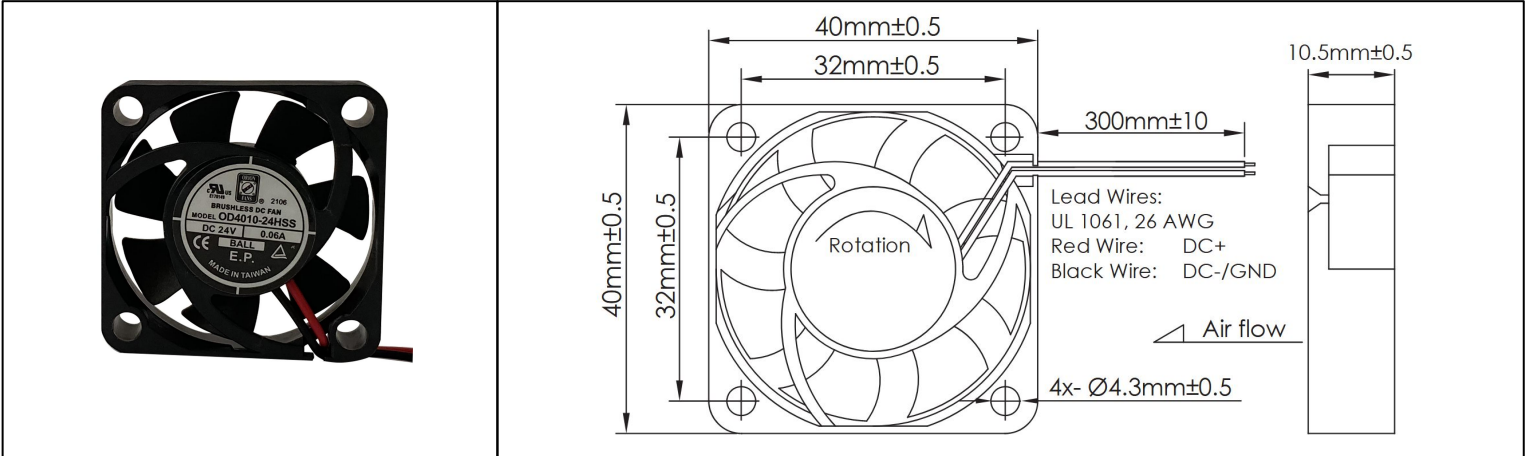


OD4010 Sealed Sleeve Series



DC Fans - 12, 24V
40mm x 40mm x 10.5mm (1.6" x 0.4")



Frame	PBT, UL94 V-0 Plastic	Operating Temperature -10°C ~ +70°C Storage Temperature -20°C ~ +75°C Life Expectancy 50,000 Hours (L10 at 45°C) Available Options Tachometer Output Alarm Output PWM Speed Control Input Weight: 0.044 lbs	
Impeller	PBT, UL94 V-0 Plastic		
Connection	2x Lead Wires, 26 AWG		
Motor	Brushless DC, Auto Cutoff, Auto Restart, Polarity Protected, Electronically Protected		
Bearing System	Sealed Sleeve		
Dielectric Strength	500VDC/min, < 1mA		
Insulation Resistance	≥10MΩ @ 500 VDC		

Part Number	Rated Voltage (Volts DC)	Voltage Range (Volts DC)	Input Power (Watts)	Rated Current (Amps)	Rated Speed (RPM)	Max Airflow (CFM)	Noise Level (dBA)	Max Static Pressure ("H ₂ O)
OD4010-12HSS	12	10.8 ~ 13.2	0.72	0.07	8000	9.2	33.2	0.20
OD4010-24HSS	24	21.6 ~ 26.4	1.45	0.06	8000	9.2	33.2	0.20