

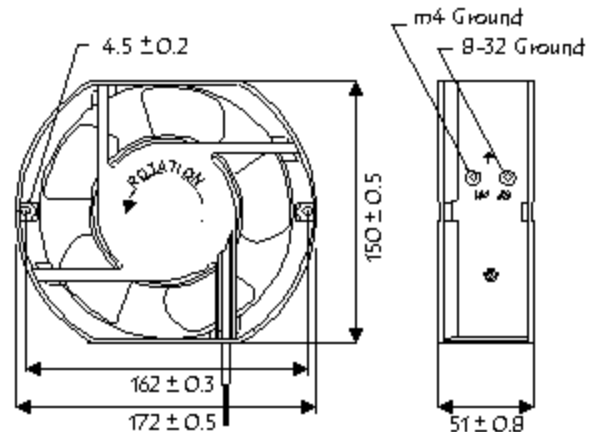
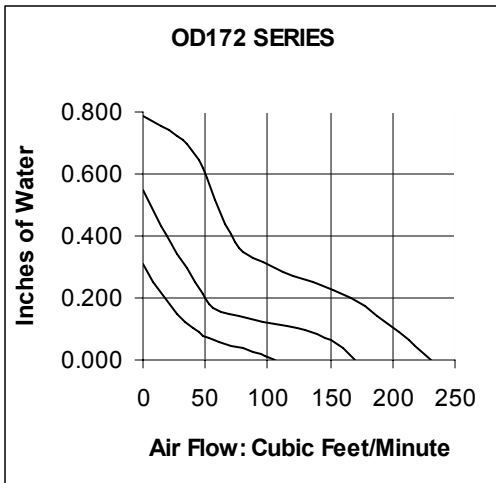


RIGEL SERIES



6.77 x 5.91 X 2
(172 x 150 X 51mm)
Ball Bearing
(Use Fan Guard G172-10HA)

Motor	Brushless DC, auto restart impedance & polarity protected
Impeller & Frame	Glass reinforced thermoplastic, PBT, UL94V-0 or Diecast Aluminum
Bearing System	Two Ball or Sleeve
Insulation Resistance	Min. 10 M at DC 500V
Dielectric Strength	500VAC/1 sec. max. leakage 500 micro amp.
Operating Temperature	Ball bearing -20 C~+80 C Sleeve Bearing -10 C-50 C
Life Expectancy	Ball bearing 70,000 hours Sleeve bearing 30,000 hours
Safety Approvals	UL, CUL, TUV



Model Number	Speed (RPM)	Max C F M	Noise (dB)	Volts (VDC)	Voltage Range	Current (Amp)	Max. Static Pressure Inches
OD172SAP-12H[]B	3700	235	50	12	7 ~ 17	1.90	.71
OD172SAP-12M[]B	2800	150	38	12	7 ~ 17	1.10	.51
OD172SAP-12L[]B	2000	120	30	12	7 ~ 17	.45	.35
OD172SAP-24H[]B	3700	235	50	24	10 ~ 29	.97	.71
OD172SAP-24M[]B	2800	150	38	24	10 ~ 29	.52	.51
OD172SAP-24L[]B	2000	120	30	24	10 ~ 29	.20	.35
OD172SAP-48H[]B	3700	235	50	48	18 ~ 53	.48	.71
OD172SAP-48M[]B	2800	150	38	48	18 ~ 53	.30	.51
OD172SAP-48L[]B	2000	120	30	48	18 ~ 53	.12	.35

[] Indicate [T] Terminal or [] Leave blank for Wire

The above referenced DC fans are available with Tach or alarm output, thermal control and / or PWM input by special order. Minimums may apply.