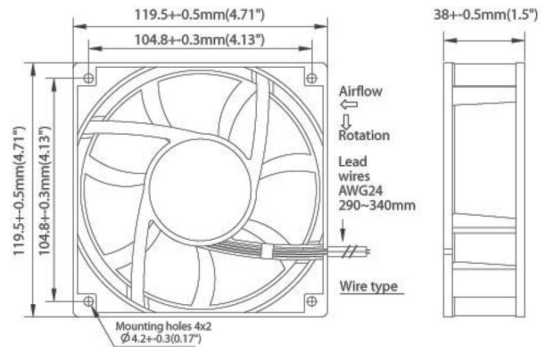


# OD1238-IP68 Series



DC Fan, 12, 24, 48V  
120x38mm (4.7"x1.5")



<b>Frame</b>	PBT, UL94 V-0 plastic	<b>Operating Temperature</b> -15°C ~ +65°C  <b>Storage Temperature</b> -25°C ~ +70°C  <b>Life Expectancy</b> 65,000 hours (L10 at 45°C)  <b>Available Options</b> Tachometer Alarm PWM High Performance Available  Weight: 0.57 lbs m0	
<b>Impeller</b>	PBT, UL94 V-0 plastic		
<b>Connection</b>	2x Lead wires 24 AWG		
<b>Motor</b>	Brushless DC, Auto Restart, Polarity Protected, Electronically Protected IP68		
<b>Bearing System</b>	Dual Ball Bearings		
<b>Dielectric Strength</b>	500VAC/min		
<b>Insulation Resistance</b>	10M ohm between leadwires and frame (500 VDC)		

Part Number	Rated Voltage	Input Power	Rated Current	Rated Speed (RPM)	Airflow (CFM)	Noise Level (dB)	Max. Static Pressure
OD1238-12HHBIP68	12 VDC	10 W	0.90 A	3200	136	48	0.56"H <sub>2</sub> O
OD1238-12HBIP68	12 VDC	6.0 W	0.50 A	2900	124	44	0.47"H <sub>2</sub> O
OD1238-12MBIP68	12 VDC	4.8 W	0.40 A	2600	115	41	0.43"H <sub>2</sub> O
OD1238-24HHBIP68	24 VDC	11 W	0.48 A	3200	136	48	0.56"H <sub>2</sub> O
OD1238-24HBIP68	24 VDC	12 W	0.5 A	2900	124	44	0.47"H <sub>2</sub> O
OD1238-24MBIP68	24 VDC	8 W	0.34 A	2600	115	41	0.43"H <sub>2</sub> O
OD1238-24LBIP68	24 VDC	5 W	0.19 A	2300	103	38	0.34"H <sub>2</sub> O
OD1238-48HHBIP68	48 VDC	15 W	0.3 A	3200	136	48	0.56"H <sub>2</sub> O
OD1238-48HBIP68	48 VDC	14 W	0.29 A	2900	124	44	0.47"H <sub>2</sub> O
OD1238-48MBIP68	48 VDC	7 W	0.14 A	2600	115	41	0.43"H <sub>2</sub> O
OD1238-48LBIP68	48 VDC	5 W	0.09 A	2300	103	38	0.34"H <sub>2</sub> O