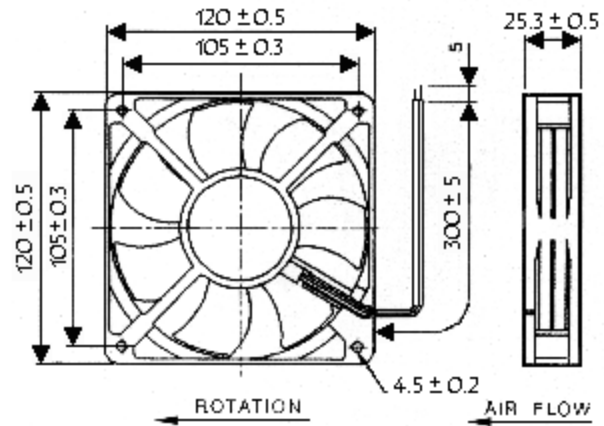
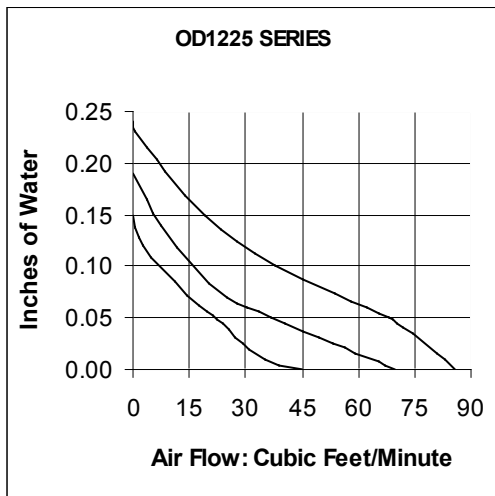


# ORION DC Cooling Fans



4.72 x 1  
(120 x 25mm)  
Ball or Sleeve Bearing  
(Use Fan Guard G109-15A)

Motor	Brushless DC, auto restart impedance & polarity protected
Impeller & Frame	Glass reinforced thermoplastic, PBT, UL94V-0
Bearing System	Two Ball or Sleeve
Insulation Resistance	Min. 10 M at DC 500V
Dielectric Strength	500VAC/1 sec. max. leakage 500 micro amp.
Operating Temperature	Ball bearing -20 C-+80 C Sleeve Bearing -10 C-50 C
Life Expectancy	Ball bearing 70,000 hours Sleeve bearing 30,000
Safety Approvals	UL, CUL, T V



Model Number	Speed (RPM)	Max CFM	Noise (dB)	Volts (VDC)	Voltage Range	Current (Amp)	Max. Static Pressure Inches
OD1225-12H [ ] ( )	3000	86	42	12	7 ~ 17	.45	.24
OD1225-12M [ ] ( )	2500	70	35	12	7 ~ 17	.35	.19
OD1225-12L [ ] ( )	1800	45	25	12	7 ~ 17	.20	.15
OD1225-24H [ ] ( )	3000	86	42	24	10 ~ 29	.23	.24
OD1225-24M [ ] ( )	2500	70	35	24	10 ~ 29	.23	.19
OD1225-24L [ ] ( )	1800	45	25	24	10 ~ 29	.17	.15
OD1225-48H [ ] ( )	3000	86	42	48	18 ~ 53	.10	.24
OD1225-48M [ ] ( )	2400	70	35	48	18 ~ 53	.07	.19
OD1225-48L [ ] ( )	1800	45	25	48	18 ~ 53	.06	.15

[ ] Indicate [T] Terminal or [ ] Leave blank for Wire ( ) Indicate (B) Ball or (S) Sleeve

The above referenced DC fans are available with Tach or alarm output, thermal control and / or PWM input by special order. Minimums may apply.