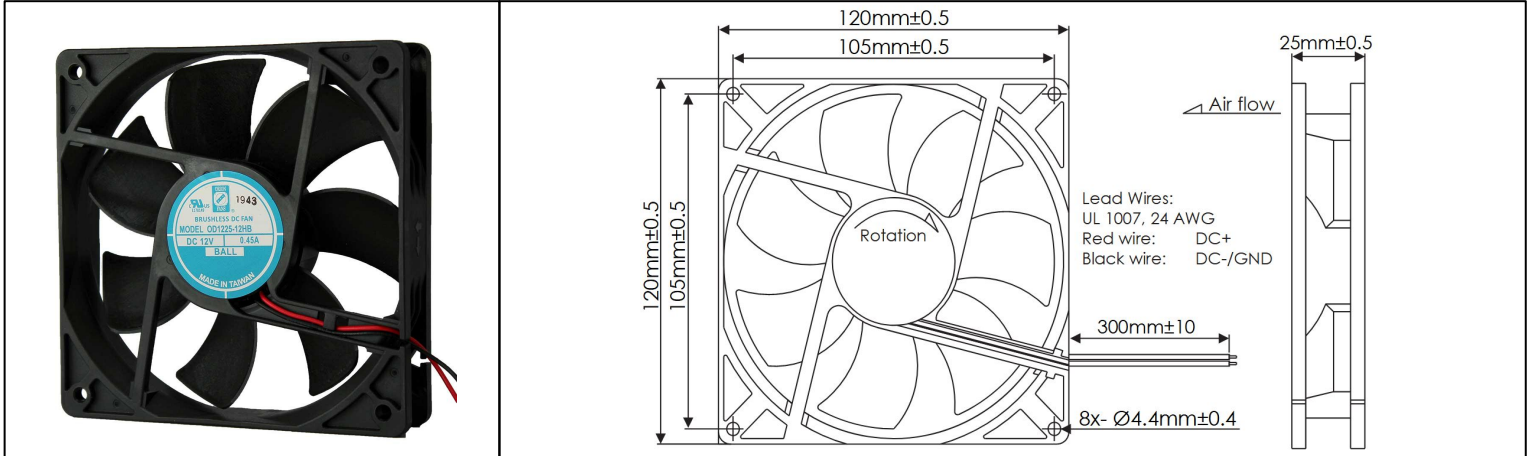


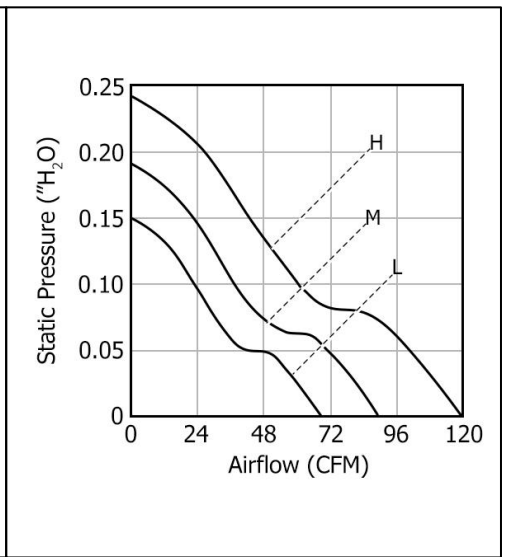
OD1225 Series



DC Fans - 12, 24, 48V
120mm x 25mm (4.7" x 1.0")



Frame	PBT, UL94 V-0 plastic	Operating Temperature -20°C ~ +65°C Storage Temperature -25°C ~ +75°C Life Expectancy 60,000 Hours (L10 at 35°C) Available Options PWM Speed Control Input Tachometer Output Alarm Output IP Ratings Sealed Sleeve Bearings 5 Volt Weight: 0.34 lbs
Impeller	PBT, UL94 V-0 plastic	
Connection	2x Lead Wires, 24 AWG	
Motor	Brushless DC, Auto Restart, Auto Cutoff, Polarity Protected, Electronically Protected	
Bearing System	Dual Ball Bearings	
Dielectric Strength	500VAC/min, <1mA	
Insulation Resistance	≥10MΩ @ 500 VDC	



Part Number	Rated Voltage (Volts DC)	Voltage Range (Volts DC)	Input Power (Watts)	Rated Current (Amps)	Rated Speed (RPM)	Airflow (CFM)	Noise Level (dBA)	Max. Static Pressure ("H ₂ O)
OD1225-12HB	12	8 ~ 13.8	5.4	0.45	3100	120	42	0.24"
OD1225-12MB	12	8 ~ 13.8	4.0	0.35	2500	90	35	0.19"
OD1225-12LB	12	8 ~ 13.8	2.5	0.20	1900	70	25	0.15"
OD1225-24HB	24	15 ~ 26	7.7	0.32	3100	120	42	0.24"
OD1225-24MB	24	15 ~ 26	4.1	0.17	2500	90	35	0.19"
OD1225-24LB	24	15 ~ 26	2.4	0.10	1900	70	25	0.15"
OD1225-48HB	48	28 ~ 52	4.5	0.09	3100	120	42	0.24"
OD1225-48MB	48	28 ~ 52	3.5	0.07	2500	90	35	0.19"
OD1225-48LB	48	28 ~ 52	2.9	0.06	1900	70	25	0.15"