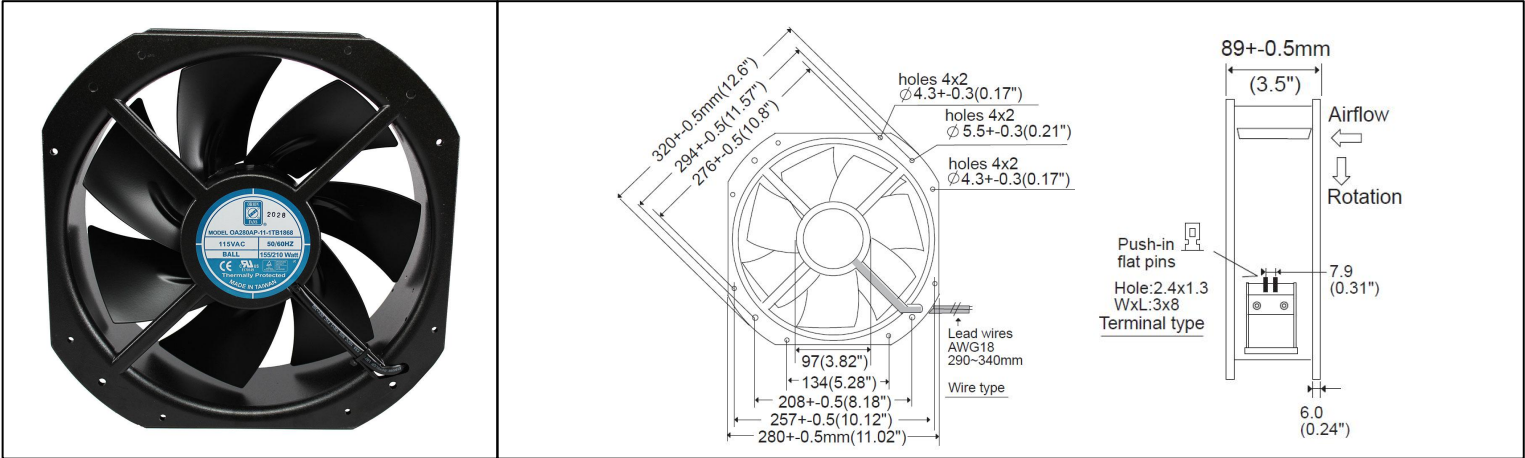


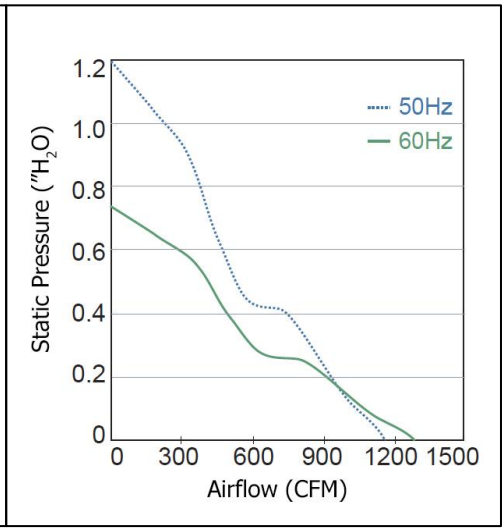
# OA280AP-IP68 Series



AC Fan, 115, 230V  
280x89mm (11"x3.5")



Frame	Die Cast Aluminum, Black	<b>Operating Temperature</b> -30°C ~ +80°C  <b>Storage Temperature</b> -40°C ~ +100°C  <b>Life Expectancy</b> 50,000 hours (L10 at 55°C)  Weight: 7.4 lbs  m0
Impeller	Steel, All Metal	
Connection	Lead wires 18AWG or Terminal	
Motor	AC, Capacitor Induction, Outer Rotor, 1-Phase, Thermal Protected, IP68	
Bearing System	Dual Ball Bearings	
Dielectric Strength	1500VAC/min	
Insulation Resistance	Over 100MΩ at DC 500V	



Part Number	Rated Voltage	Input Power	Frequency	Rated Speed (RPM)	Airflow (CFM)	Noise Level (dB)	Max. Static Pressure
OA280AP-11-1*B1868	115 VAC	210 W	60 Hz	3200	1300	73	0.75"H <sub>2</sub> O
OA280AP-22-1*B1868	230 VAC	210 W	60 Hz	3200	1300	73	0.75"H <sub>2</sub> O

\*Insert T for Terminal or W for Lead Wires