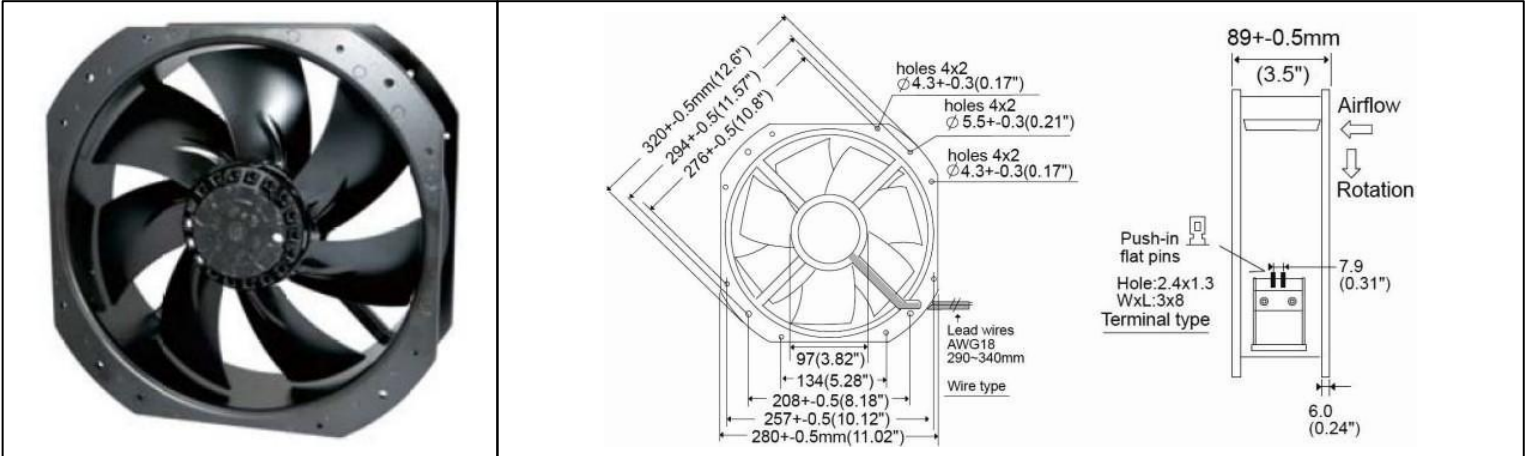


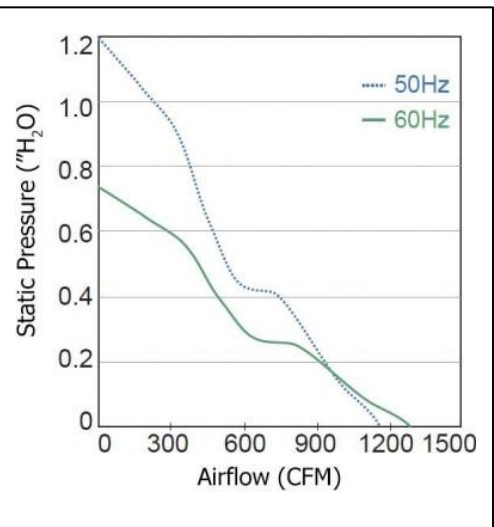
# OA280AP-IP69K Series



AC Fan - 115V, 230V  
280x89mm (11"x3.5")



<b>Frame</b>	Die Cast Aluminum, Black Finish	<b>Operating Temperature</b> -30°C ~ +80°C
<b>Impeller</b>	Steel, All Metal, 7 Blades	<b>Storage Temperature</b> -40°C ~ +100°C
<b>Connection</b>	Lead Wires, 18 AWG or Terminals	<b>Life Expectancy</b> 50,000 hours (L10 at 55°C)
<b>Motor</b>	AC, Outer Rotor, Capacitor Induction, Single Phase, Thermally Protected, IP69K	<b>Available Options</b> Tachometer Alarm PWM
<b>Bearing System</b>	Dual Ball Bearings	<b>Weight:</b> 7.4 lbs m0
<b>Dielectric Strength</b>	1500VAC/min	
<b>Insulation Resistance</b>	Over 100MΩ at DC 500V	



Part Number	Rated Voltage	Input Power	Frequency	Rated Speed (RPM)	Airflow (CFM)	Noise Level (dB)	Max. Static Pressure
OA280AP-11-1*B1869K	115 VAC	210 W	60Hz	3200	1300	73	0.75" H <sub>2</sub> O
OA280AP-22-1*B1869K	230 VAC	210 W	60Hz	3200	1300	73	0.75" H <sub>2</sub> O

\*Insert "T" for Terminal or "W" for Lead Wire