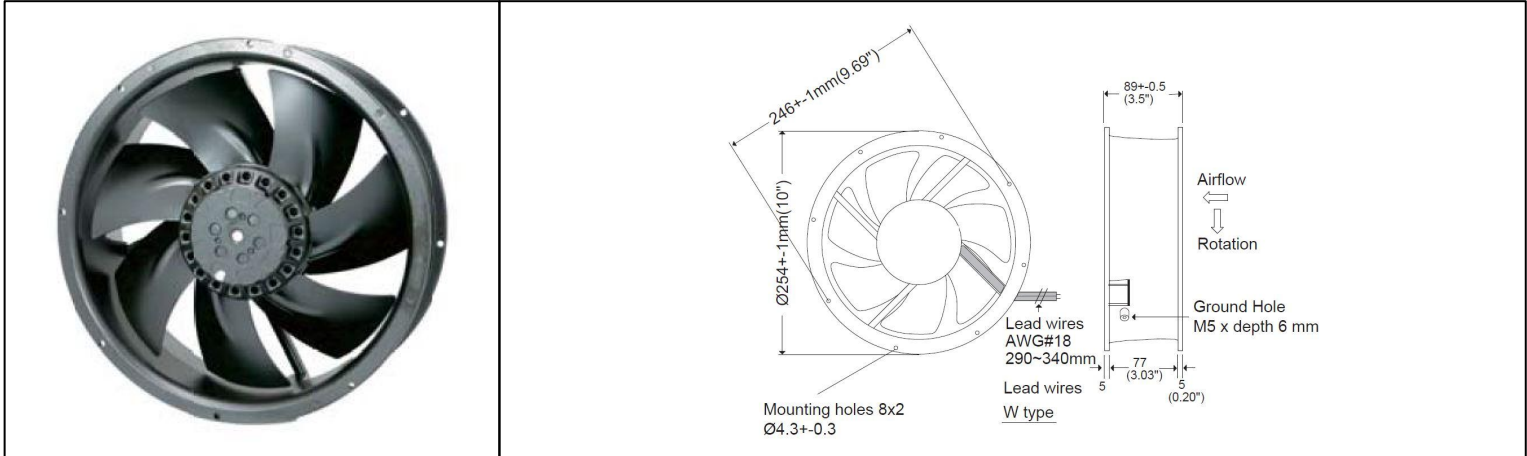


OA2547AP-IP69K Series



AC Fan - 115V, 230V
254x89mm (10"x3.5")



Frame	Die Cast Aluminum, Black Finish	Operating Temperature -30°C ~ +80°C Storage Temperature -40°C ~ +100°C Life Expectancy 50,000 hours (L10 at 55°C) Available Options Tachometer Alarm Other Speeds Available Weight: 5.6 lbs m0	
Impeller	Steel, 7 Blade, All Metal		
Connection	2x Lead Wires, 18 AWG		
Motor	AC, Capacitor Induction, Outer Rotor, Single Phase, Thermally Protected, IP69K		
Bearing System	Dual Ball Bearings		
Dielectric Strength	1500VAC/min		
Insulation Resistance	Over 100M Ohm @ 500VDC		

Part Number	Rated Voltage	Input Power	Frequency	Rated Speed (RPM)	Airflow (CFM)	Noise Level (dB)	Max. Static Pressure
OA2547AP-11-1*BIP69K	115 VAC	105W	60Hz	3250	1000	70	0.60" H ₂ O
OA2547AP-22-1*BIP69K	230 VAC	105W	60Hz	3250	1000	70	0.60" H ₂ O

*Insert "T" for Terminal or "W" for Lead Wire