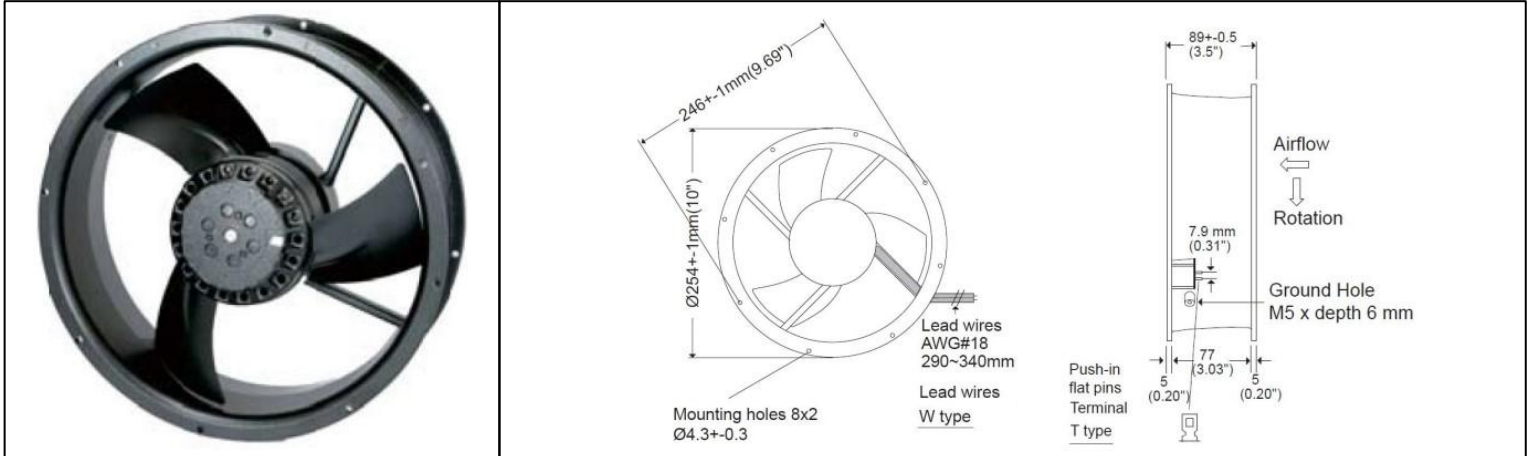


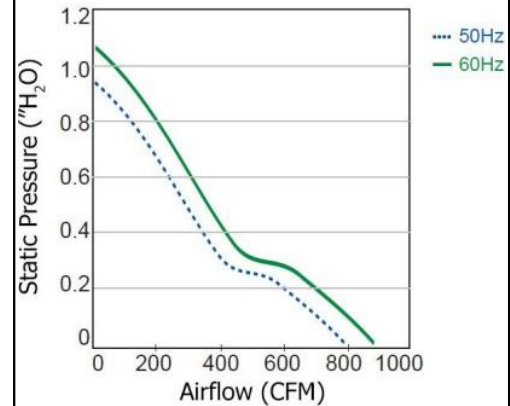
OA2543AP-IP69K Series



AC Fan - 115V, 230V
254x89mm (10"x3.5")



Frame	Die Cast Aluminum, Black Finish	Operating Temperature -30°C ~ +80°C Storage Temperature -40°C ~ +100°C Life Expectancy 50,000 hours (L10 at 55°C) Available Options Tachometer Alarm PWM Weight: 5.18 lbs m0
Impeller	Steel, All Metal, 3 Blades	
Connection	Lead Wires, 18 AWG or Terminal	
Motor	AC, Outer Rotor, Capacitor Induction, Single Phase, Thermally Protected, IP69K	
Bearing System	Dual Ball Bearings	
Dielectric Strength	1500VAC/min	
Insulation Resistance	Over 100MΩ at DC 500V	



Part Number	Rated Voltage	Input Power	Frequency	Rated Speed (RPM)	Airflow (CFM)	Noise Level (dB)	Max. Static Pressure
OA2543AP-11-1*B1869K	115 VAC	105 W	60Hz	3300	930	67	1.1" H ₂ O
OA2543AP-22-1*B1869K	230 VAC	105 W	60Hz	3300	930	67	1.1" H ₂ O

*Insert "T" for Terminal or "W" for Lead Wire