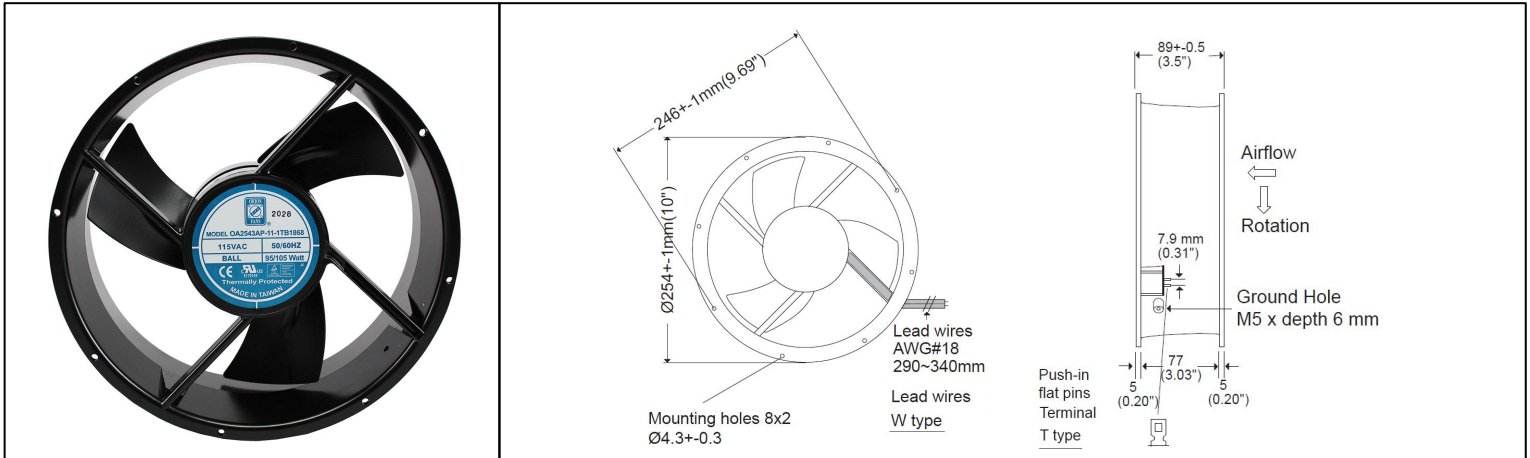


OA2543AP-IP68



AC Fan, 115, 230V
254x89mm (10"x3.5")



Frame	Die Cast Aluminum, Black	Operating Temperature -30°C ~ +80°C Storage Temperature -40°C ~ +100°C Life Expectancy 50,000 hours (L10 at 55°C) Weight: 5.18 lbs m0	
Impeller	Steel, All Metal, 3 blades		
Connection	Lead wires 18AWG or Terminal		
Motor	AC, Capacitor Induction, Outer Rotor, 1-Phase, Thermal Protected, IP68		
Bearing System	Dual Ball Bearings		
Dielectric Strength	1500VAC/min		
Insulation Resistance	Over 100MΩ at DC 500V		

Part Number	Rated Voltage	Input Power	Frequency	Rated Speed (RPM)	Airflow (CFM)	Noise Level (dB)	Max. Static Pressure
OA2543AP-11-1*B1868	115 VAC	105 W	60 Hz	3300	930	67	1.1"H ₂ O
OA2543AP-22-1*B1868	230 VAC	105 W	60 Hz	3300	930	67	1.1"H ₂ O

*Insert T for Terminal or W for Lead Wires