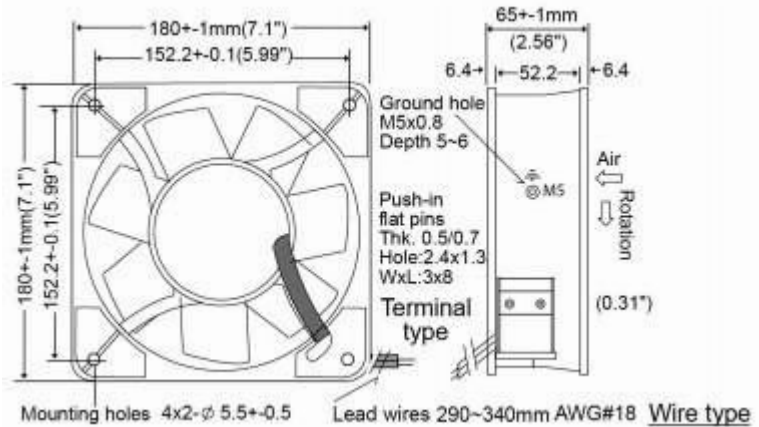


OA180APL-IP69K Series



AC Fan - 115V, 230V
180x65mm (7.1"x2.6")



Frame	Die Cast Aluminum, Black Finish	<p>Operating Temperature -20°C ~ +65°C</p> <p>Storage Temperature -20°C ~ +75°C</p> <p>Life Expectancy 50,000 hours (L10 at 55°C)</p> <p>Available Options Tachometer Alarm PWM</p> <p>Weight: 3.96 lbs m0</p>	
Impeller	Steel, All Metal, 7 Blades		
Connection	Lead Wires 18 AWG or Terminal		
Motor	AC, Outer Rotor, Capacitor Induction, Single Phase, Thermally Protected, IP69K		
Bearing System	Dual Ball Bearings		
Dielectric Strength	1500VAC/min		
Insulation Resistance	Over 100MΩ at DC 500V		

Part Number	Rated Voltage	Input Power	Frequency	Rated Speed (RPM)	Airflow (CFM)	Noise Level (dB)	Max. Static Pressure
OA180APL-11-1*B1869K	115 VAC	80 W	60 Hz	3250	400	65	0.8" H ₂ O
OA180APL-22-1*B1869K	230 VAC	80 W	60 Hz	3250	400	65	0.8" H ₂ O

*Insert "T" for Terminal or "W" for Lead Wire