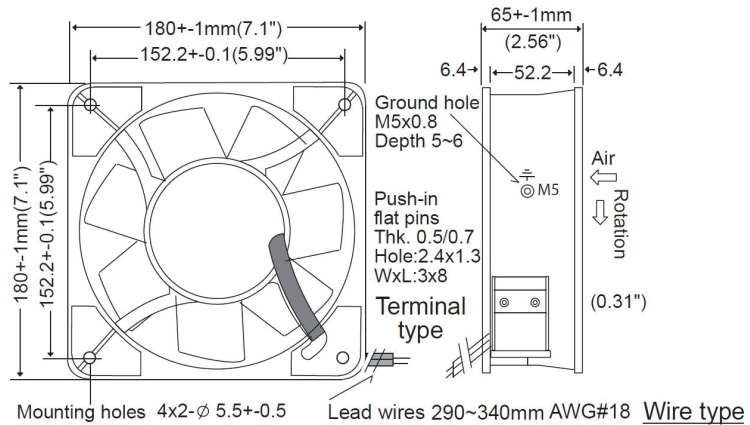


OA180APL-IP68 Series



AC Fan, 115, 230V
180x65mm (7"x2.5")



| | | | |
|-----------------------|--|---|--|
| Frame | Die Cast Aluminum, Black | <p>Operating Temperature -30°C ~ +80°C</p> <p>Storage Temperature -40°C ~ +100°C</p> <p>Life Expectancy 50,000 hours (L10 at 55°C)</p> <p>Weight: 3.96 lbs</p> <p>m0</p> | |
| Impeller | Steel, All Metal, 7 Blades | | |
| Connection | Lead wires 18AWG or Terminal | | |
| Motor | AC, Outer Rotor, Capacitor Induction, 1-Phase, Thermally Protected, IP68 | | |
| Bearing System | Dual Ball Bearings | | |
| Dielectric Strength | 1500VAC/min | | |
| Insulation Resistance | Over 100MΩ at DC 500V | | |

| Part Number | Rated Voltage | Input Power | Frequency | Rated Speed (RPM) | Airflow (CFM) | Noise Level (dB) | Max. Static Pressure |
|---------------------|---------------|-------------|-----------|-------------------|---------------|------------------|----------------------|
| OA180APL-11-1*B1868 | 115 VAC | 80 W | 60 Hz | 3250 | 400 | 65 | 0.8"H ₂ O |
| OA180APL-22-1*B1868 | 230 VAC | 80 W | 60 Hz | 3250 | 400 | 65 | 0.8"H ₂ O |

*Insert T for Terminal or W for Lead Wires