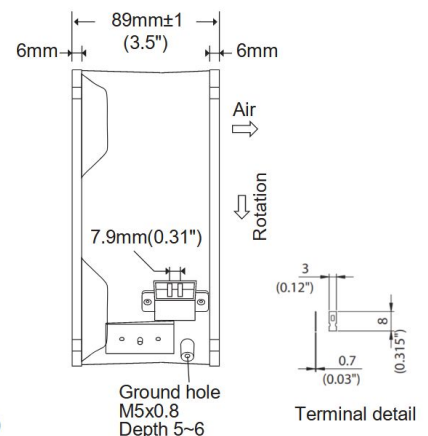
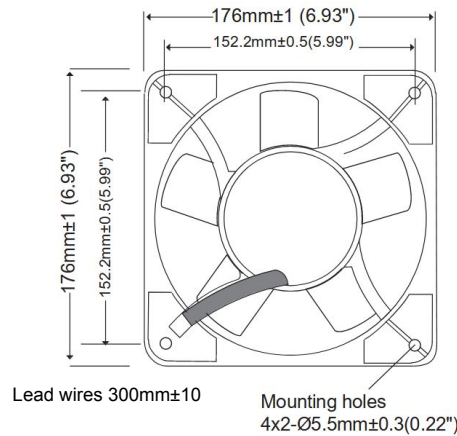


OA180AP Series



AC Fan - 115V, 230V
176 x 89mm (6.9" x 3.5")



Frame	Die cast Aluminum
Impeller	PBT, UL94 V-0 plastic
Connection	2x Lead wires, 20 AWG or Terminals
Motor	Capacitor Drive, Thermally Protected
Bearing System	Dual Ball Bearings
Dielectric Strength	1500 VAC/min < 1mA
Insulation Resistance	>100M ohm between leadwires and frame (500 VDC)

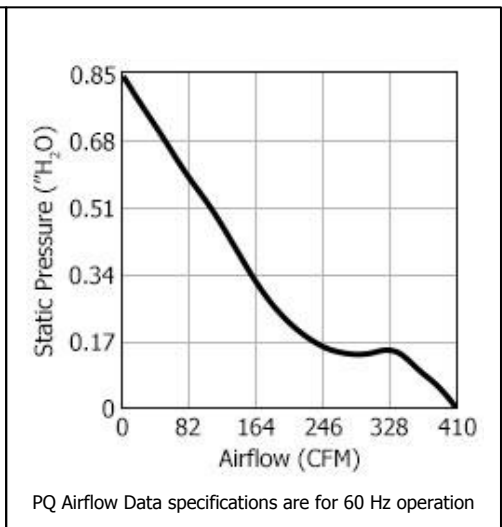
Operating Temperature
-20°C ~ +70°C

Storage Temperature
-40°C ~ +100°C

Life Expectancy
60,000 hours (L10 at 40°C)

Weight: 4.0 lbs

m0



Part Number	Nominal AC Voltage	Rated Power 50/60Hz	Voltage Range (VAC)	Rated Speed (RPM) 50/60Hz	Airflow (CFM) 50/60Hz	Noise Level (dB)	Max. Static Pressure (H ₂ O) 50/60Hz
OA180AP-11-1*	115 VAC	60 / 70 W	100 ~ 120	2700 / 3175	361 / 409	62	0.67 / 0.84
OA180AP-22-1*	230 VAC	60 / 70 W	200 ~ 240	2700 / 3175	361 / 409	62	0.67 / 0.84

* Indicates "TB" for terminal or "WB" for wire leads