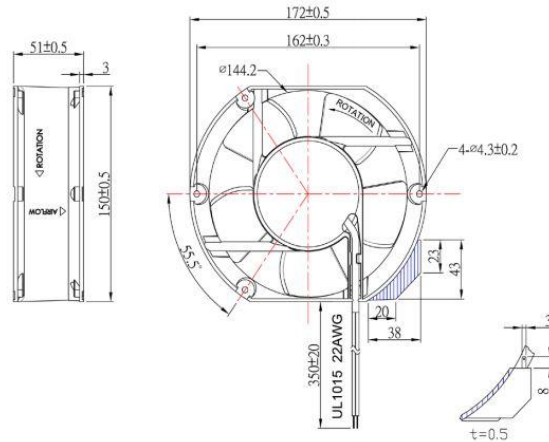


# OA172EC IP68-ATEX Series



EC Fan, 115V / 230V  
172x150x51mm (6.7"x 2.0")



Frame	Aluminum (ADC-12)	<b>Operating Temperature</b> -20°C ~ +70°C  <b>Life Expectancy</b> 50,000 hours (L10 at 45°C)  <b>IP68 Rating</b> ATEX Certification  <b>Weight:</b> 1.54 lbs  m2	
Impeller	PBT, UL94 V-0 Plastic		
Connection	2x Lead wires, or Terminals		
Motor	EC Motor, Electronically Protected, IP68		
Bearing System	Dual Ball Bearings		
Dielectric Strength	1 Sec at 1800 VAC, 50/60Hz		
Insulation Resistance	10M ohm between leadwires and frame (500 VDC)		

Part Number	Rated Voltage	Nominal Power	Rated Current	Rated Speed (RPM)	Airflow (CFM)	Noise Level (dB)	Max. Static Pressure
OA172EC-11-1*BIP68A	115 VAC	15 W	0.23 A	3000	220	57	0.62"H <sub>2</sub> O
OA172EC-22-1*BIP68A	230 VAC	15 W	0.13 A	3000	220	57	0.62"H <sub>2</sub> O

\* Indicates "T" (Terminals) or "W" (Wire Leads)