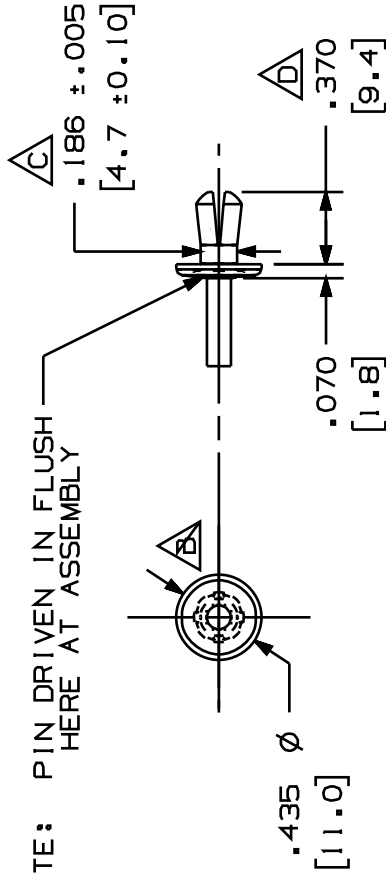


THIS COPY IS PROVIDED ON A RESTRICTED BASIS AND IS NOT TO BE USED IN ANY WAY DETRIMENTAL TO THE INTERESTS OF PANDUIT CORP.

NOTE: PIN DRIVEN IN FLUSH
HERE AT ASSEMBLY

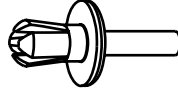


PANDUIT P/N	WEIGHT
NR1-	.11LB/ 100PCS. (50g/ 100PCS.)

NOTES:
1. SEE CURRENT CATALOG FOR ADDITIONAL PART SUFFIXES TO INDICATE COLOR AND OR PACKAGE QUANTITY.
2. DIMENSIONS IN PARENTHESIS ARE METRIC.

F/A

PANEL THICKNESS	HOLE SIZE + .005 (.10) - .000 (.00)
.156 - .187 [4.0 - 4.7]	.187 [4.7]
.218 [5.5]	.193 [4.9]
.250 [6.4]	.203 [5.2]
.281 [7.1]	.213 [5.4]



E

CAD FILENAME/LAYERS

D36401BA_DC_NR1_RIVET_01C.prt

PANDUIT

CORP. TINLEY PARK, ILLINOIS

PUSH RIVET
(NR1)

UNLESS OTHERWISE SPECIFIED,
DIMENSIONAL TOLERANCES ARE:
(.X) :
(.XX) :
(.XXX) : .020 | .51
ANGLES :
UNLESS OTHERWISE SPECIFIED,
ALL DIMENSIONS ARE GIVEN
IN INCHES, THIRD ANGLE PROJECTION.

DRAWN BY
R²

DATE
1-29-64

CHK'D
CEF

SCALE
FULL

DRAWING NO.

D-191

NYLON 6/6
NATURAL

ECN - R

CUST

SUP

DESCRIPTION

REV DATE BY CHK

8 8-29-01 JCST JKG F. DUAL DIMENSIONED CHART. D-191 JKG

7 9-13-00 JHNU HIW E. REVISED AND REDRAWN D-191 HIW

6 4-15-94 DW/CEFDW/CEF D: REV'D DIM WAS .360
C: REV'D DIM. WAS .185 AND ADDED TOL. D-191 CEF

5 7-31-79 RJ/MP RJ/MP B. ADDED RING SLOT TO FACE
OF HEAD. ECN 191-5 D-191 JSR JSR

4 3-18-76 REC REC A. ADDED PANEL & HOLE SIZE CHART. D-191 JSR JSR

3 9-26-72 JRL JRL REDRAWN WITH FORMAT CHANGE D-191 JSR JSR

REV DATE BY CHK DESCRIPTION ECN - R CUST SUP

SIZE

A