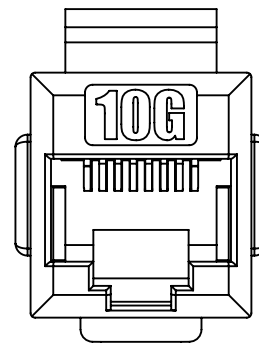
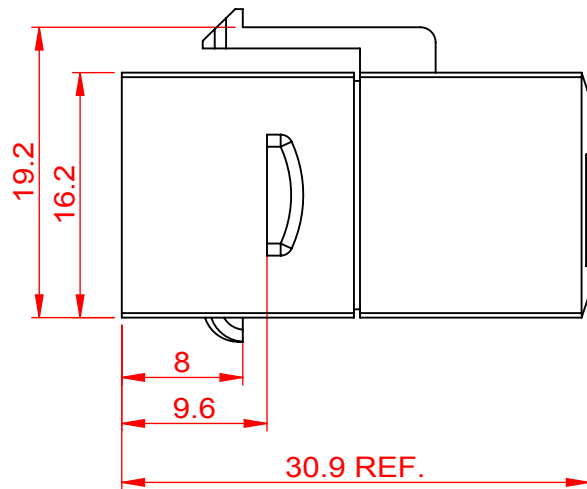
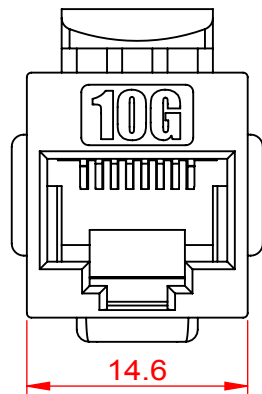
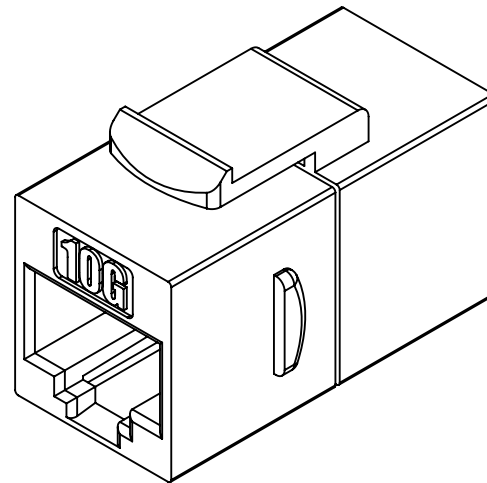
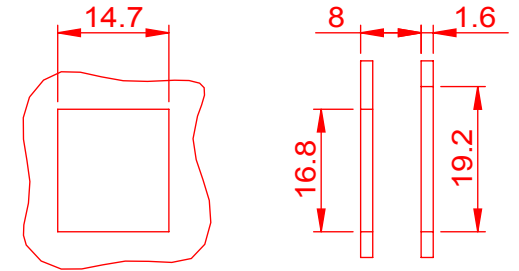


REFERENCE



SUGGESTED MOUNTING CUTOUT



ACCORDING TO : ANSI/TIA-568-C.2
ISO/IEC 11801 2nd Edition
IEC 60603-7



MATERIAL

COUPLER HOUSING : ABS,UL94V-0.
CONTACT HOLDER : ABS,UL94V-0.
SPRING WIRE : PHOSPHOR BRONZE,50U" GOLD PLATED.

PHYSICAL CHARACTERISTICS

INSERTION LIFE : 750 MATING CYCLES WITH FCC COMPLIANT 8P PLUG.
CONTACT FORCE : 100 GRAMS WITH FCC COMPLIANT 8P PLUG.
PLUG RETENTION FORCE : 11 LBF MIN.
OPERATING TEMPERATURE RANGE : -10°C TO 60°C.
STORAGE TEMPERATURE RANGE : -40°C TO 68°C.
HUMIDITY : 10%~90%RH.

ELECTRICAL

INSULATION RESISTANCE : 500 MΩ.
DIELECTRIC WITHSTANDING VOLTAGE : 1000 V AC.
DC CURRENT RATING : 1.5 Amps.
DC RESISTANCE : 0.1Ω.
CONTACT RESISTANCE : 20mΩ.

NOTE

ONLY ACCEPT RJ-45 8P8C PLUG.

Scale		2:1				Quest Technology Int'l, Inc 11200 NW 138th St., Medley, FL 33178			
3rd Angle Projection									
Unit		mm			Part No.		NKJ-6302		
Date		2013/9/23			Title: Cat6A In-line Keystone UTP Coupler, 8P8C, White				
Tolerance					Drawn by		Checked by		Drawing No.
~20	~50	~150	150~	ANGLE	BORUEI				
±0.2	±0.4	±0.5	±1.5	±2°					