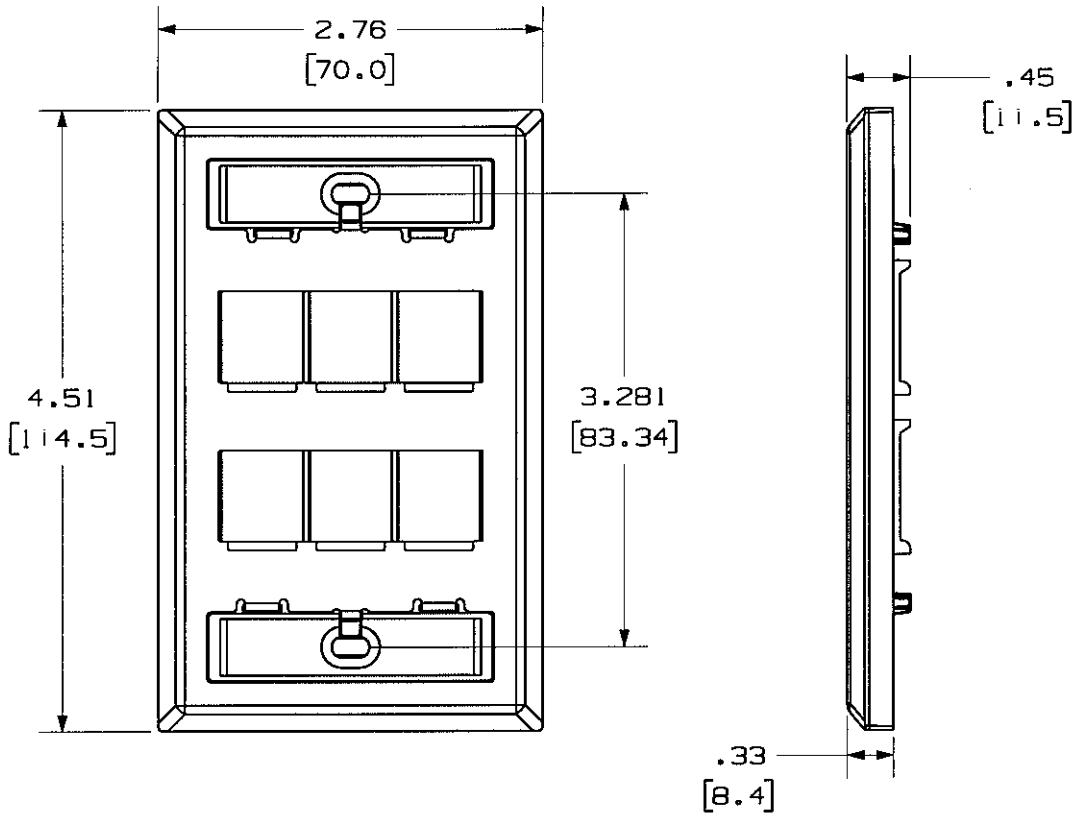
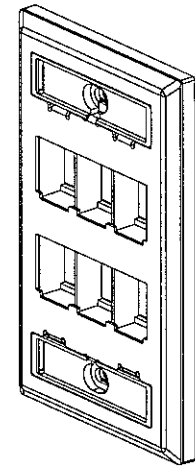


THIS COPY IS PROVIDED ON A RESTRICTED BASIS AND IS NOT TO BE USED IN ANY WAY DETRIMENTAL TO THE INTERESTS OF PANDUIT CORP.



PANDUIT P/N	WEIGHT
NKF6S	.83 LB/10 PCS (376.5g/10 PCS)

- NOTES:
- SEE CURRENT CATALOG FOR ADDITIONAL PART NUMBER SUFFIXES TO INDICATE COLOR AND OR PACKAGE QUANTITY.
 - SEE CATALOG FOR COMPLETE LIST OF PARTS APPLICABLE FOR USE WITH THIS PART.
 - DIMENSIONS IN PARENTHESES ARE IN METRIC.
 - PART INCLUDES:
 - 1- FACEPLATE
 - 2- #6-32 X 1" MOUNTING SCREWS
 - 2- LABEL
 - 2- LABEL COVER



MODEL FILENAME	M02423AC_NK6FS_00.PRT	SIZE	A
DRAWING FILENAME	M02423AC_DC_00B.PRT		

NETKEY 6 POSITION STAINLESS STEEL FACEPLATE WITH LABEL CUSTOMER DRAWING

<p>PANDUIT™ CORP. TINLEY PARK, ILL 60477</p>	I.I. NUMBER	N/A				
	PRODUCT SPEC	N/A				
<p>THIRD ANGLE PROJECTION</p>	WORK INSTRUCTION	N/A				
	SCALE	NONE				
DRAWN BY	JSP	MATERIAL:				
DATE	3-16-06	FACEPLATE- STAINLESS STEEL BACKING- ABS				
REV	DATE	BY	CHK'D	MJD	DRAWING NO.	02423-05

REV	DATE	BY	CHK	DESCRIPTION	ECN	R	CUST	SUP	OTH
I	4-24-06	JSP	MJD	A. FIXED INCORRECT PART NUMBER.	02423-05				
R	3-16-06	JSP	MJD	RELEASED TO PRODUCTION	02423-05				