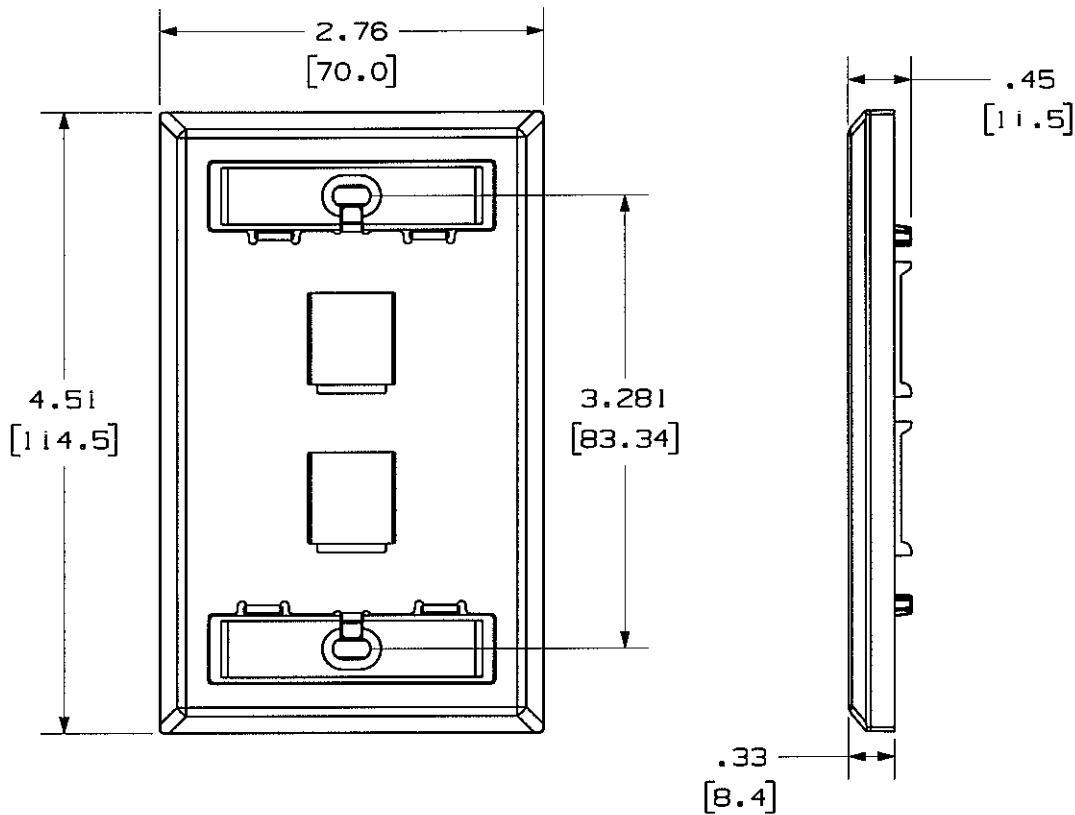


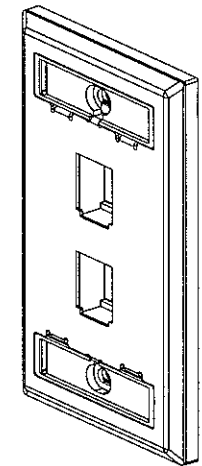
THIS COPY IS PROVIDED ON A RESTRICTED BASIS AND IS NOT TO BE USED IN ANY WAY DETRIMENTAL TO THE INTERESTS OF PANDUIT CORP.



PANDUIT P/N	WEIGHT
NKF2S	1.0 LB/10 PCS (458.1g/10 PCS)

NOTES:

- SEE CURRENT CATALOG FOR ADDITIONAL PART NUMBER SUFFIXES TO INDICATE COLOR AND OR PACKAGE QUANTITY.
- SEE CATALOG FOR COMPLETE LIST OF PARTS APPLICABLE FOR USE WITH THIS PART.
- DIMENSIONS IN PARENTHESES ARE IN METRIC.
- PART INCLUDES:
 - 1- FACEPLATE
 - 2- #6-32 X 1" MOUNTING SCREWS
 - 2- LABEL
 - 2- LABEL COVER



MODEL FILENAME	M02423AA_NK2FS_00.PRT	SIZE A
DRAWING FILENAME	M02423AA_DC_00B.PRT	

NETKEY 2 POSITION STAINLESS STEEL FACEPLATE WITH LABEL CUSTOMER DRAWING

<p>PANDUIT™ CORP. TINLEY PARK, ILL 60477</p>	I.I. NUMBER	N/A
	PRODUCT SPEC	N/A
	WORK INSTRUCTION	N/A
	SCALE	NONE
<p>THIRD ANGLE PROJECTION</p>	<p>ALL DIMENSIONS ARE GIVEN IN INCHES, UNLESS OTHERWISE SPECIFIED.</p> <p>DIMENSIONAL TOLERANCES ARE: (.X) ± (.XXX) ± .010(.3) (.XX) ± .001(.8) ANGLES ±</p>	PART NO. NKF2S
DRAWN BY JsP DATE 3-16-06 CHK'D MJD	MATERIAL: FACEPLATE- STAINLESS STEEL BACKING- ABS	DRAWING NO. 02423-01

REV	DATE	BY	CHK	DESCRIPTION	ECN	R	CUST	SUP	OTH
I	4-24-06	JsP	MJD	A. FIXED INCORRECT PART NUMBER.	02423-01				
R	3-16-06	JsP	MJD	RELEASED TO PRODUCTION	02423-01				