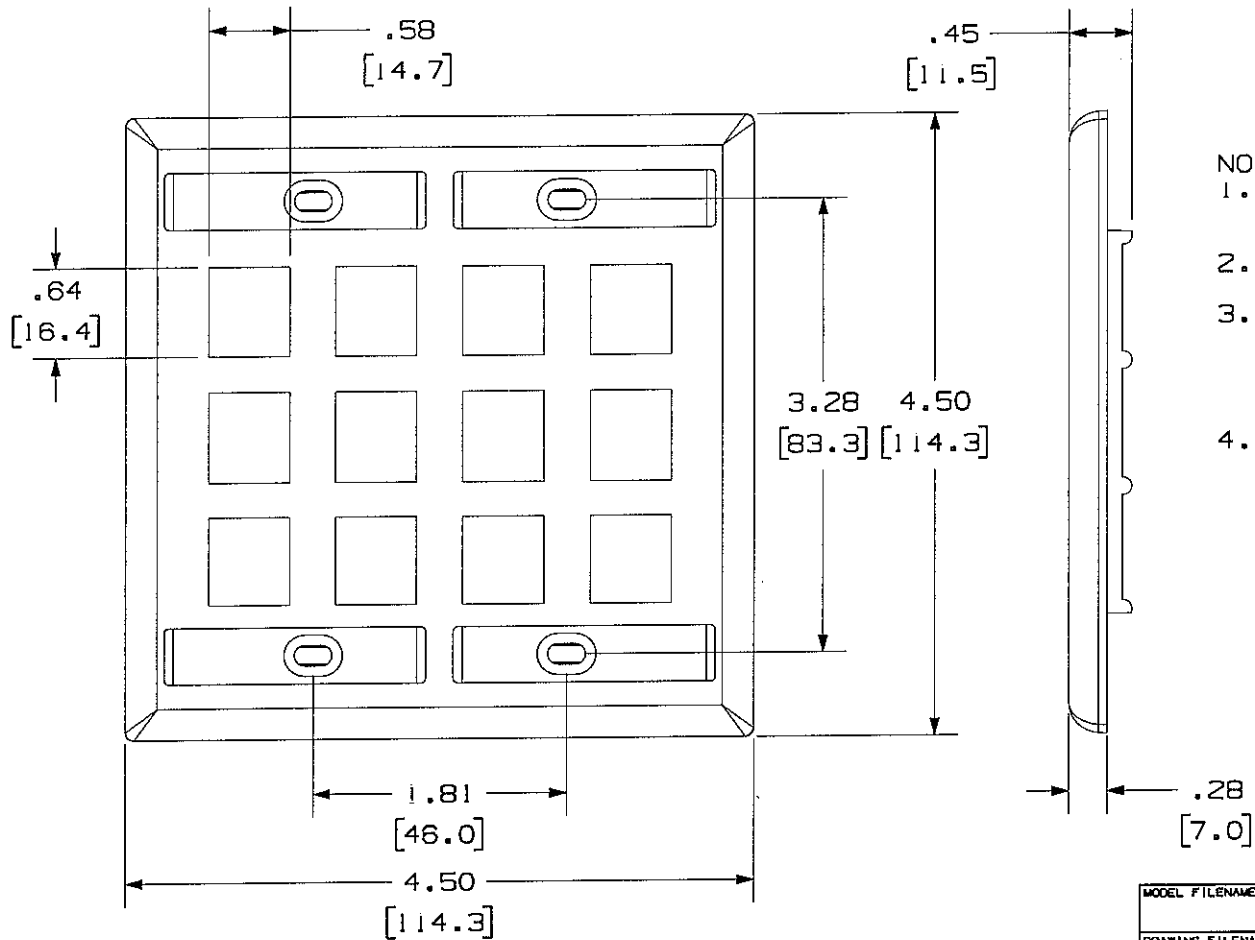


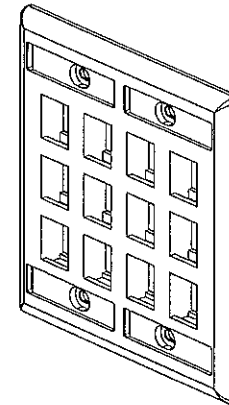
THIS COPY IS PROVIDED ON A RESTRICTED BASIS AND IS NOT TO BE USED IN ANY WAY DETRIMENTAL TO THE INTERESTS OF PANDUIT CORP.



PANDUIT P/N	WEIGHT
NK12F**Y	.79 LB/10 PCS (366 g/10 PCS)

NOTES:

1. SEE CURRENT CATALOG FOR ADDITIONAL PART SUFFIXES TO INDICATE COLOR AND OR PACKAGE QUANTITY.
2. FACEPLATE WILL ACCEPT TWELVE STANDARD NETKEY MODULES.
3. PART INCLUDES:
 - 1- FACEPLATE
 - 4- MOUNTING SCREW
 - 4- LABEL
 - 4- LABEL COVER
4. DIMENSIONS IN [] ARE IN METRIC.



MODEL FILENAME	M00661BF_KEYSTONEFP12_01.PRT	SIZE	A
DRAWING FILENAME	M02479B1_LDC035_00A.PRT		

NETKEY 12 POSITION DOUBLE GANG
FACEPLATE WITH LABEL
CUSTOMER DRAWING

NETWORK SYSTEMS
AUG 18 2006
ENGINEERING DEPT



I.I. NUMBER	N/A
PRODUCT SPEC	N/A
WORK INSTRUCTION	N/A
SCALE	NONE



ALL DIMENSIONS ARE GIVEN IN INCHES,
UNLESS OTHERWISE SPECIFIED.
DIMENSIONAL TOLERANCES ARE:
(.X) ±.03 (XXX) ±.005
(.XX) ±.01 ANGLES ± 1°

DRAWN BY
JsP

MATERIAL:
ABS

DATE
7-29-06

PART NO.
NK12F**Y

CHK'D
M/D

DRAWING NO.
02479-035

REV	DATE	BY	CHK	DESCRIPTION	ECN	R	CUST	SUP	OTH
R	7-29-06	JsP	M/D	RELEASED TO PRODUCTION	02479-035	M/D	M/D		