

NFL18ST507X1C3#

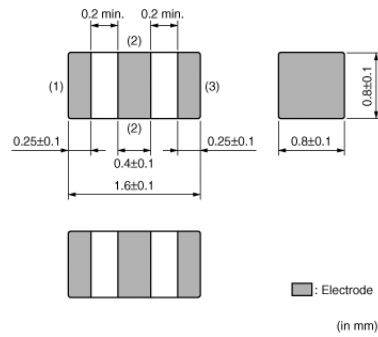
“#” indicates a package specification code.

In Production RoHS REACH

< List of part numbers with package codes >

NFL18ST507X1C3D NFL18ST507X1C3B

Appearance & Shape



Packaging Information

Packaging	Specifications	Minimum Order Quantity
D	180mm Paper Tape	4000
B	Bulk(Bag)	1000

Applications

Other Usage	For general
-------------	-------------

Attention
1.This datasheet is downloaded from the website of Murata Manufacturing Co., Ltd. Therefore, it's specifications are subject to change or our products in it may be discontinued without advance notice. Please check with our sales representatives or product engineers before ordering.
2.This datasheet has only typical specifications because there is no space for detailed specifications.
Therefore, please review our product specifications or consult the approval sheet for product specifications before ordering.

NFL18ST507X1C3#

“#” indicates a package specification code.

Features

NFL18ST_X series is an EMI suppression filter for high speed signal lines, achieving T-type structure with non-magnetic horizontal coils and feed-through capacitor in 1.6x0.8mm size with Murata's multilayer technology, which has good noise suppression effect at the frequency range from 800MHz to several GHz.

Features (NFL18ST_X series)

1. Steep insertion loss characteristics realize excellent noise suppression and prevent distortion of signal waveform.
2. By minimizing stray capacitance of inductor, achieves high performance in noise suppression in high frequency range.
3. Three different values of cut-off frequency are available, ranging from 200MHz up to 500MHz.
4. Since all side electrode structures are the same, it is easy to mount.

Applications

1. Noise suppression for video signal lines (RGB lines) and high speed clock lines
2. EMI suppression at high frequency range (over 800MHz)

Attention

1. This datasheet is downloaded from the website of Murata Manufacturing Co., Ltd. Therefore, its specifications are subject to change or our products in it may be discontinued without advance notice. Please check with our sales representatives or product engineers before ordering.
 2. This datasheet has only typical specifications because there is no space for detailed specifications.
- Therefore, please review our product specifications or consult the approval sheet for product specifications before ordering.

NFL18ST507X1C3#

“#” indicates a package specification code.



Specifications

Shape	SMD
Size Code (in mm)	1608
Size Code (in inch)	0603
Length	1.6mm
Length Tolerance	±0.1mm
Width	0.8mm
Width Tolerance	±0.1mm
Thickness	0.8mm
Thickness Tolerance	±0.1mm
Rated Current	200mA
Operating Temperature Range	-55°C to 125°C
Mass(typ.)	0.004g
Number of Circuit	1
Rated Voltage	16Vdc
Withstanding Voltage	50Vdc
Insulation Resistance(min.)	1000MΩ
Nominal Cut-off Frequency	500MHz
Capacitance	10pF
Capacitance Tolerance	±20%
Inductance	43nH
Inductance Tolerance	±20%

Attention

1.This datasheet is downloaded from the website of Murata Manufacturing Co., Ltd. Therefore, it's specifications are subject to change or our products in it may be discontinued without advance notice. Please check with our sales representatives or product engineers before ordering.

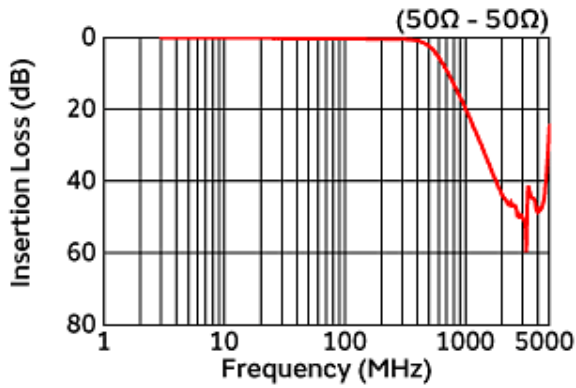
2.This datasheet has only typical specifications because there is no space for detailed specifications.

Therefore, please review our product specifications or consult the approval sheet for product specifications before ordering.

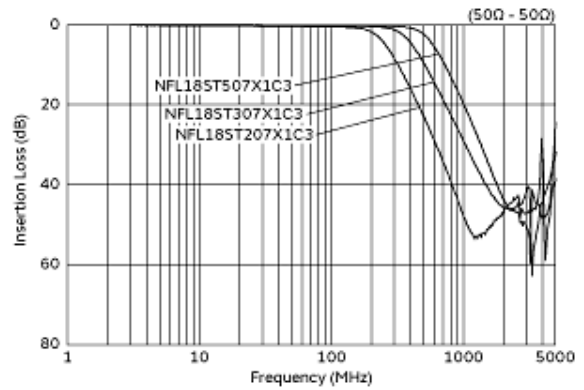
NFL18ST507X1C3#

“#” indicates a package specification code.

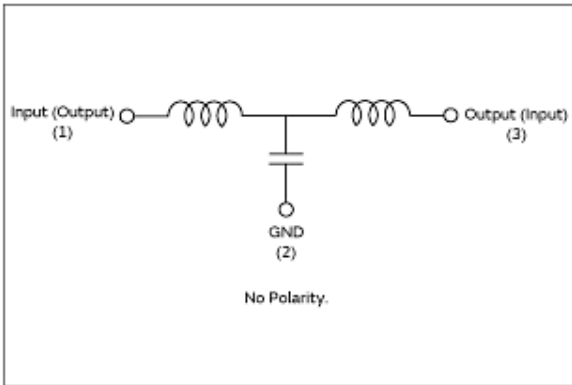
Product Data



Insertion Loss Characteristics



Insertion Loss Characteristics (Main Items)



Equivalent Circuit

Attention

1.This datasheet is downloaded from the website of Murata Manufacturing Co., Ltd. Therefore, it's specifications are subject to change or our products in it may be discontinued without advance notice. Please check with our sales representatives or product engineers before ordering.
2.This datasheet has only typical specifications because there is no space for detailed specifications.
Therefore, please review our product specifications or consult the approval sheet for product specifications before ordering.