



Home
About Us

Products

Audio

Video

Lighting

Data Connectors

Industrial

Support

News

Sitemap

Search

PRODUCTS ONLY

Search

© Neutrik® AG
All rights reserved
Legal Notices

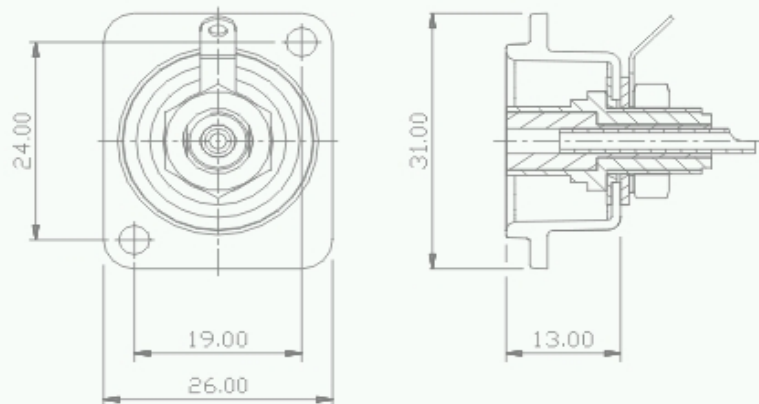


Audio

Phono (RCA) Sockets

[back](#)

NF2D-B-4



Product

Connector Type	RCA
Gender	female

Electrical

Capacitance between contacts	≤ 9 pF
Contact resistance	< 5G mΩ
Dielectric strength	0,5 kVdc
Insulation resistance	< 5 GΩ
Rated current per contact	16 A
Rated voltage	50 V

Mechanical

Lifetime	> 2000 mating cycles
Wiring	Solder contacts
Mounting direction	front
Chassis shape	D

Material

Contact plating	5 μm Au over 5 μm Ni
Contacts	Brass (CuZn39Pb3)
Shell	Zinc diecast (ZnAl4Cu1)

Environmental

Flammability	UL 94 HB
Standard compliance	IEC 601-14
Protection class	IP 40
Solderability	Complies with IEC 68-2-20
Temperature range	-30 °C to +80 °C