

16

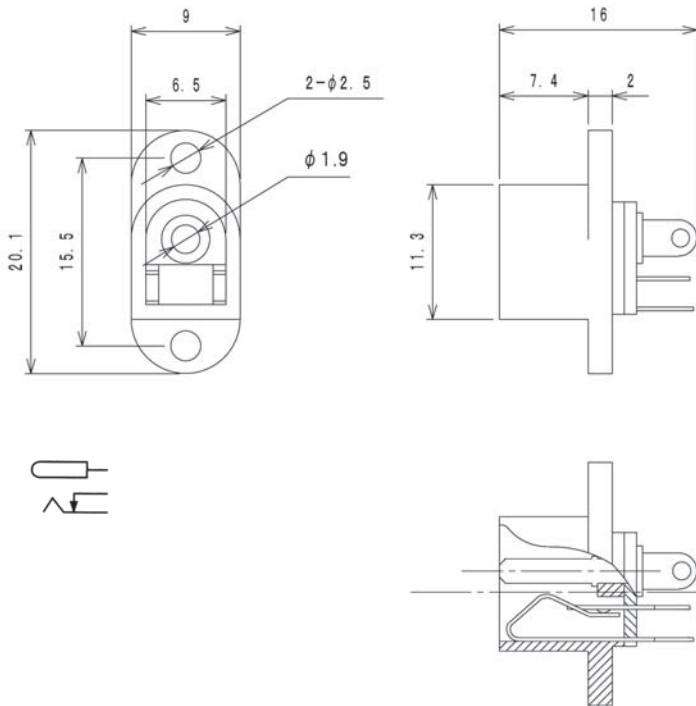
NEB/J 21

Power supply connectors



Power supply chassis socket, straight version, with fixing flange, break contact and solder eyes

State: Active



Environmental conditions

Temperature range -20 °C/+70 °C

Materials

Insulating body PF
Contact Cu alloy, nickel-plated/silver-plated
Housing POM, HB according to UL94

Mechanical data

Diameter opening 6,5 mm
Diameter center pin 1,9 mm
Mating cycles ≥ 5000
Insertion force 4–20 N
Withdrawal force 3–15 N

Electrical data (at T_{amb} 20 °C)

Contact resistance ≤ 30 m Ω
Rated current 0,5 A
Rated voltage 12 V DC
Rated impulse voltage 500 V/60 s
Insulation resistance ≥ 100 M Ω

Associated products

Counterparts
[☞ 1633 02](#) [☞ 1633 03](#) [☞ NES/J 21](#)
[☞ NES/J 21 W](#) [☞ NES/J 210](#) [☞ XNES/J 210](#)

16

NEB/J 21

Designation	Pole Number	PU (Pieces)	MDQ (Pieces)
NEB/J 21	2	250	750

Packaging:

in bulk, in a cardboard box or a plastic bag