

<h1>SPECIFICATIONS</h1>

[General Specifications]

Product Name	Signal Light	
Model	NE-24A-□	
Rated Voltage	24V DC	
Operating Voltage Range	Rated Voltage ±10%	
Rated Current Consumption	Typ.	22mA
	Max.	26mA
Rated Power Consumption	Typ.	0.6W
	Max.	0.7W
Operating Ambient Temperature	-30°C to +50°C	
Operating Ambient Humidity	Less than 90% (No condensation)	
Storage Ambient Temperature	-40°C to +75°C	
Storage Ambient Humidity	Less than 90% (No condensation)	
Mounting Location	Indoor	
Mounting Direction	All Directions	
Protection Rating	IP65, NEMA TYPE 4X, 13	
Environmental Condition	All Directions	
Insulation Resistance	More than 5MΩ at 500VDC between live part and non-current carrying metallic part	
Withstand Voltage	500VAC applied for 1min between live part and non-current carrying metallic part without breaking insulation	
Mass (Tolerance ±10%)	0.06kg	
Outer Dimensions	Refer to the Outer Dimension Drawing	
Conformity Standards	EMC Directive (EN 61000-6-4, EN 61000-6-2)	
	RoHS Directive (EN 50581)	
	UL 508, CSA-C22.2 No. 14	
Remarks	Due to the characteristics of the LED elements, a variation in difference of the color tone and brightness of every product may occur.	
Model Number Configuration		

NE- 24 A - R

LED Color

R	: Red
Y	: Amber
G	: Green
B	: Blue
C	: White

Rated Voltage

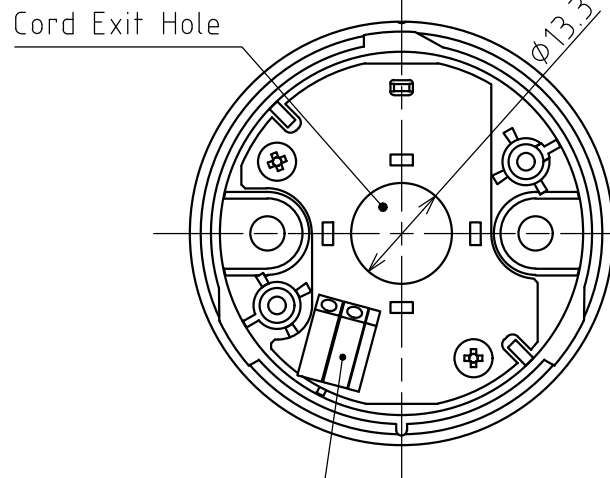
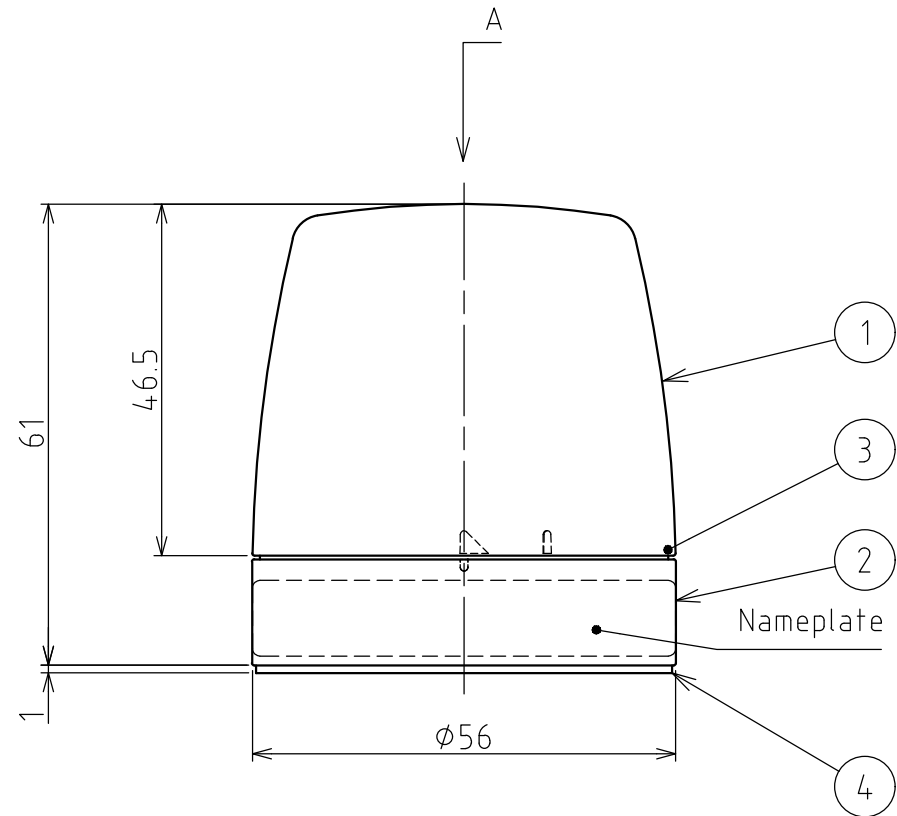
24	: 24V DC
----	----------

指定 公差 General Tolerance	角度公差 ±[°]		寸法公差 ±[mm]					図番 Drawing No.		ページ Page			
	短辺 長さ Length of short side	~	~	6	30	120	300	1000	NE-24A-W18		2 / 2		
	精 f	10	50	100	精 f	0.05	0.1	0.2	0.4	0.6	改訂 Rev.	年月日 Date	改訂履歴 Revisions
中 m	1	0.5	0.3	0.1	中 m	0.1	0.3	0.5	0.7	1	△	17.Apr.'19	
粗 v	3	1.5	1	0.5	粗 c	0.3	0.5	1	1.2	2			

A

B

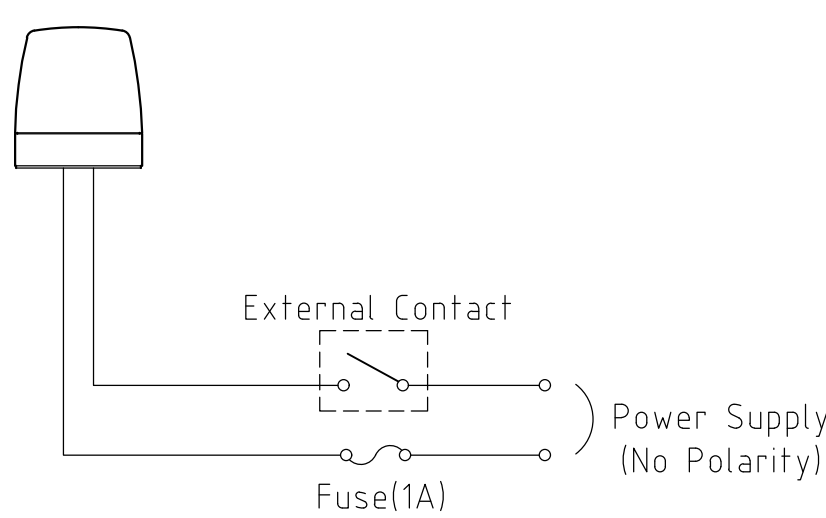
C



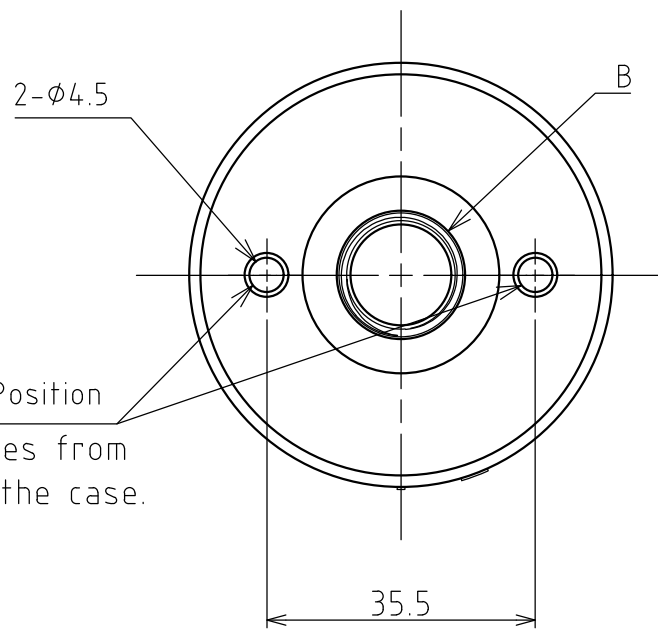
Screwless terminal block
 Applicable Wire
 Solid Wire: 0.2mm²~1.5mm²
 Stranded Wire: AWG 24~16

View A(Without Globe)

Writing Example



D



Mounting Hole Position
 ※ Drill the holes from the top on the case.

[Note]

1. Cable gland of M16(P=1.5) can be attached to part B.
2. This product has no power cord, Use the Screwless terminal block on mounting plate to connect the power supply.

F

4	Waterproof sheet	1	Silicone rubber, Black
3	O-ring	1	Silicone rubber, Black
2	Case	1	PC, Off-dark Gray
1	Globe	1	PC, (Red・Amber・Green・Blue・White)
番号 No.	部品名 Part Name	数量 Qty.	記事 Remarks
機種 Model	NE-24A	特注No. S.P.No.	-
品目コード Part No.	-	図名 Name	Outer Dimension Drawing
	尺度 Scale	三角法 3rd Angle P.	単位 Unit mm
		株式会社 パトライト PATLITE Corporation	