

TIL, TIG, TIH, TII-Series



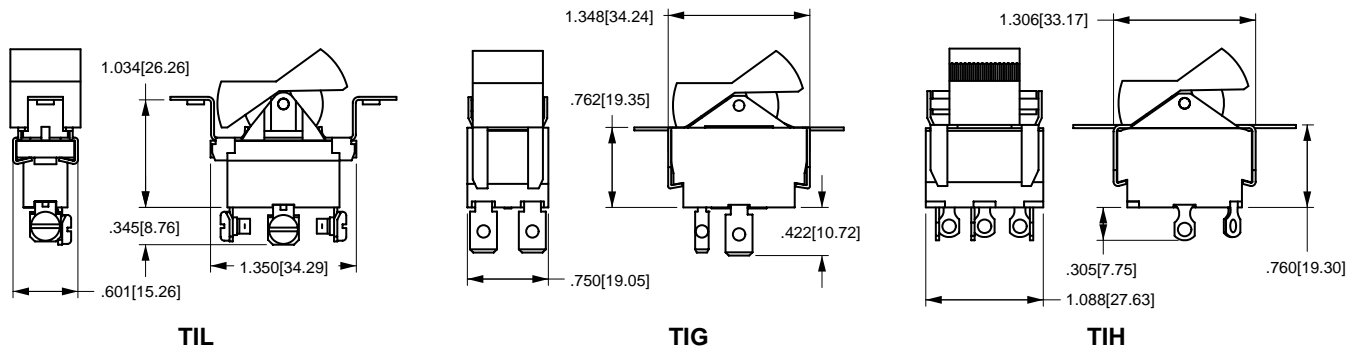
The TI-Series Tippette rocker switches are available in single pole (TIL), double pole (TIG), three pole (TIH) and four pole (TII) versions. These switches are available with nylon snap-in or screw-type mounting brackets, are AC rated to 20 amps and suitable for low voltage DC applications. Multiple actuator options and colors are available, and many circuits have international approvals.

Specifications

- Certifications*: UL, CSA, and VDE
- Dielectric Strength: 1,000 V (minimum)
- Insulation Resistance: 100 Megohms (minimum)
- Base Material: Phenolic
- Actuator Material: Nylon
- Bracket/Bezel Material: Nylon or Steel

* Due to ongoing technological advances, consult factory for certification specifics.

Dimensional Specifications: in. [mm]



SERIES	CIRCUIT	RATING ¹	ACTUATOR STYLE ²	ACTUATOR COLOR ³
TIL SINGLE POLE	SINGLE POLE	5 10A 250VAC	1C CROSS SERRATED	BL BLACK
TIG DOUBLE POLE	A ON-NONE-OFF	15A 125VAC	1F SMOOTH W/ FLATTED CENTER	WH WHITE
TIH THREE POLE	B ON-NONE-ON	3/4HP 125-250VAC	1L LONG LINED	BRACKET STYLE⁴
TII FOUR POLE	C ON-OFF-ON	6 3A 250VAC	1S SMOOTH ANGLED	
	DOUBLE, THREE OR FOUR POLE	6A 125VAC	2L LONG NARROW	A
	K ON-NONE-OFF	1/4HP 125-250VAC	SMOOTH	B
	L ON-NONE-ON	9 10A 250VAC	6M⁵ MATTE CURVED (M, N OR W BRACKETS ONLY)	C
	M ON-OFF-ON	15A 125VAC	6S SMOOTH CURVED (M, N OR W BRACKETS ONLY)	H
		12(6)A 250VAC T85	7N WITCHES HAT (NARROW)	FN NARROW
		72 20A 125-277VAC	7P WITCHES HAT	FW WIDE
		1 1/2HP 125VAC	(NARROW)	MBL MARINE
		2HP 250VAC	7S TOGGLE	NBL
				WBL WATERSHEDDING

TERMINATION/FUNCTION		SOLDER LUG	.250 TAB (QC)	.187 TAB (QC)	SCREW TERM.	WIRE LEAD	PC TERM.
ON-NONE-OFF	0	1	3	4	5	6	
(ON)-NONE-OFF	A	B	D	E	F	G	
ON-NONE-(OFF)	L	M	R	S	T	U	
ON-NONE-ON	0	1	3	4	5	6	
ON-NONE-(ON)	A	B	D	E	F	G	
ON-OFF-ON	0	1	3	4	5	6	
ON-OFF-(ON)	A	B	D	E	F	G	
(ON)-OFF-(ON)	L	M	R	S	T	U	

NOTES:
 Shading indicates standard configurations.
 Dust covers for single and double pole are available, consult factory.
 Panel Cut-Out Recommendations: For sheet metal panels, switch must enter panel in same direction as the punch. (Burr on bottom.) Test cut hole in actual material.

1 Horsepower rating for code 5 is applicable to certain circuits only. Consult factory for specifics.
 Rating Code 9 for TIG-Series only with maintained A, B, K, L and M Circuits, and N Bracket Style, terminals 0 or 1 only.
 Rating Code 72 for TIG-Series only, in maintained circuits, with N or W Bracket Style only.

2 For double actuator with or without interlock or other actuator styles, consult factory.
 Imprinting available on smooth face rockers.

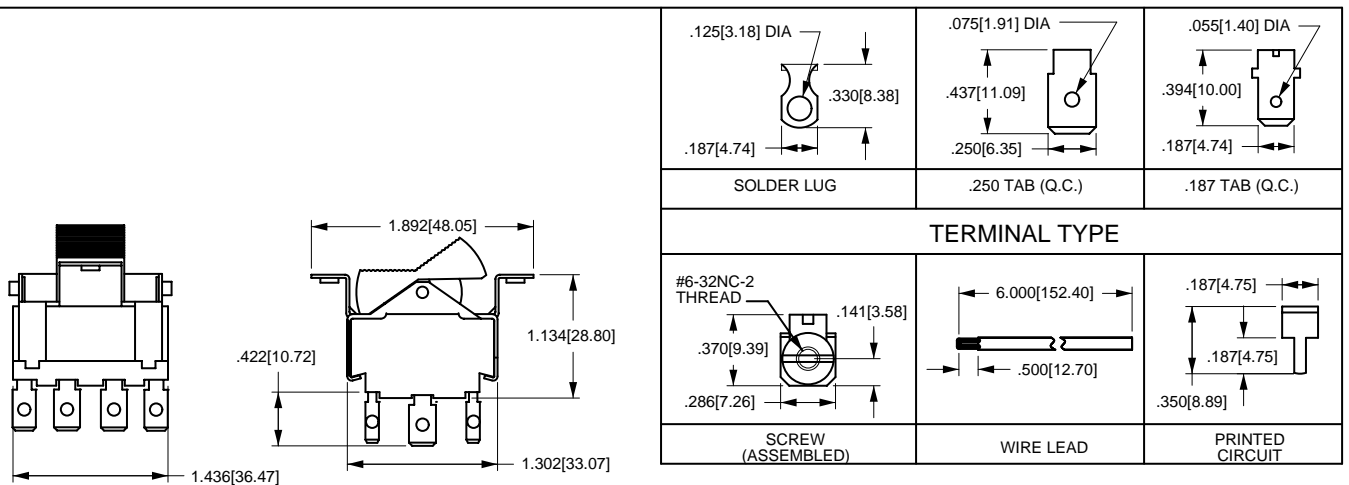
3 Glossy finish is standard. Custom colors are available. Consult factory.

4 Barbs are available on FN style bracket to accommodate panel thicknesses of .062, .100, .125, .156 and .250. Specify after bracket selection. (ex.) FN/.125
 MBL, NBL & WBL brackets are molded in black. If white is desired, specify as MWH, NWH & WWH.
 Bracket Styles D, E and G available. Consult factory.
 Bracket Style M consists of LNP rocker, neoprene seal, syntech grease, dummy rivets. M, N and W brackets supplied in two pole bases.
 MBL does not have UL, CSA approvals.
 Bracket style H available with actuator styles 7N and 7P only.

5 Actuator & Bracket Finish is a matched set.

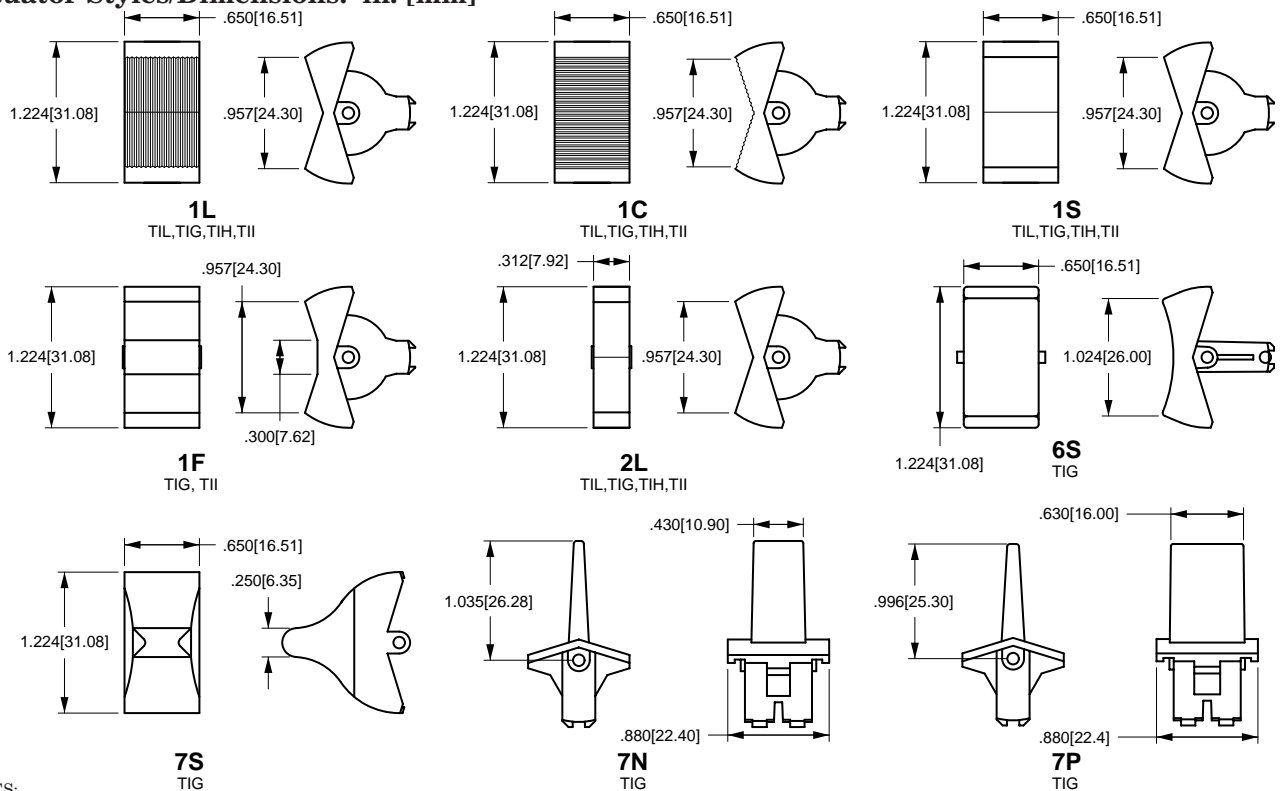
Special Circuits for Tippette Rocker Switches

CIRCUIT	POSITION 1	POSITION 2	POSITION 3
PROGRESSIVE TWO CIRCUIT			
GG	BOTH CIRCUITS ON	ONE CIRCUIT ON	OFF
GG	BOTH CIRCUITS (ON)	ONE CIRCUIT ON	OFF
SINGLE POLE TRIPLE THROW			
GE	ON	ON	ON
TWO CIRCUIT			
GH	CIRCUIT 1 ON	BOTH CIRCUITS ON	CIRCUIT 2 ON
GP	CIRCUIT 2 ON	CIRCUIT 1 ON	OFF
REVERSING DOUBLE POLE DOUBLE THROW			
GO	ON	OFF	ON
GX	ON	NONE	ON



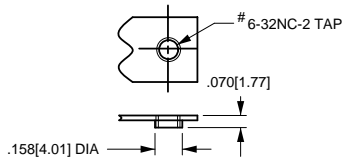
TII

Actuator Styles/Dimensions: in. [mm]



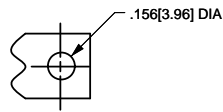
NOTES:
Additional momentary circuits are available. Consult factory for details.

Bracket Dimensions: in. [mm]



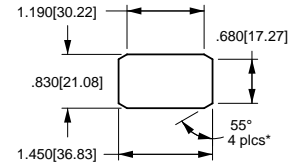
TAPPED HOLE

Standard with
A & B Brackets



CLEARANCE HOLE

Standard with
C Bracket

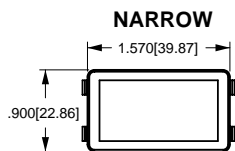


MOUNTING HOLE

(Nylon Snap-in Brackets)

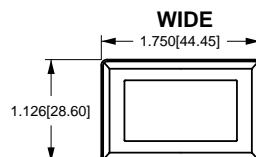
Panel Thickness:
.030 min. - .250 max.
* Angled corners are suggested for
optimum fit. Standard rectangular
cutout is acceptable.

TIL	TIG	TII	TIH
<p>1.940[49.27] .078[1.98] 1.625[41.27] A TIL</p>	<p>1.940[49.27] .078[1.98] 1.625[41.27] A TIG</p>	<p>1.892[48.06] .078[1.98] 1.625[41.27] A TII</p>	<p>1.960[49.78] .078[1.98] 1.625[41.27] A TIH</p>
<p>2.093[53.16] .156[3.96] 1.625[41.27] B TIL</p>	<p>2.090[53.08] .156[3.96] 1.625[41.27] B TII, TIG</p>		
<p>1.875[47.62] .520[13.21] 1.625[41.27] C* TIL</p>	<p>1.940[49.27] .426[10.82] 1.625[41.27] C TIG</p>	<p>2.062[52.37] .426[10.82] 1.625[41.27] C TIH, TII</p>	
	<p>1.950[49.53] 1.350[34.29] 1.625[41.27] H TIG</p>	<p>1.700[43.18] .960[24.38] 1.570[39.88] .430[10.92]</p> <p>GCP / GMP GLOSS FINISH / MATTE FINISH HOLE PLUG FOR TIL, TIG, TIH & TII</p>	



FN

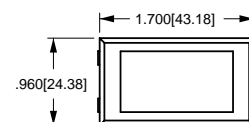
TIL, TIG, TIH, TII
METAL, SNAP-IN



FW

TIL, TIG, TIH, TII
METAL, SNAP-IN

MARINE / STD / WATERSHEDDING



MBL, NBL, WBL

TIG
BLACK NYLON, SNAP-IN

NOTES

Double brackets supplied on TII-Series when B style bracket is specified. Consult factory for dimensional information.

* Available in both clearance and tapped hole options. Please specify when ordering.