



# 2VREt45 300A

# N38-A2



## DATA SHEET

release. 0 - Revision 12-2014

Replace R10-30

Voltage	Frequency	Input Power	Input Current	Capacitor	Airflow	Rotation speed	Acoustic level	Direction rotation	Admissible Temperature
V	Hz	W	A	μF	m <sup>3</sup> /h	RPM	dBA	↻	Min/Max
400	50	140	0,32	-	2750	2660	67	R	-20°C / +70°C
400	60	198	0,35	-	3025	2920	70	R	-20°C / +70°C
400	50				1618 CFM				-4°F / 158°F
400	60				1780 CFM				-4°F / 158°F

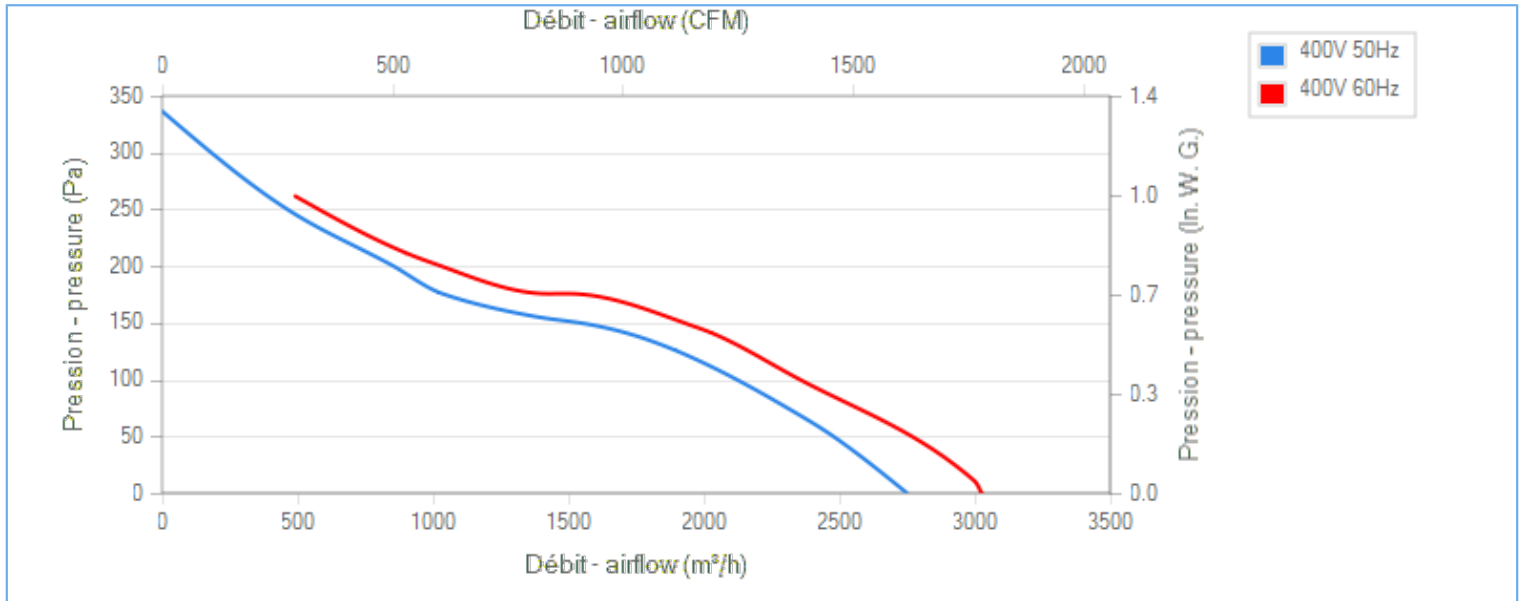
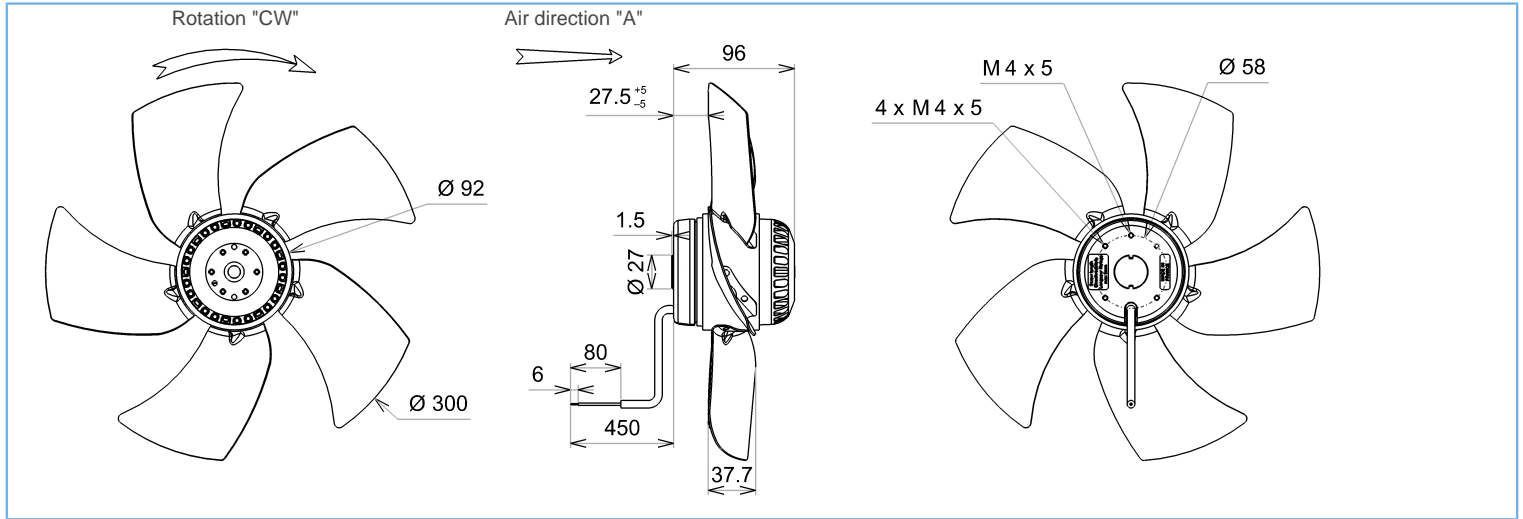


dBA : free blowing

ErP 2013



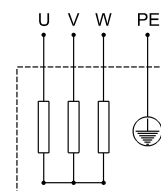
ErP 2015



Tested with ECOFIT ring

### Description

- .Weight : 2,9 Kg
- .Ball bearing
- .Insulation Class F
- .IP44 protection depending on installation and position as per EN60034-5
- .G6.3 balancing
- .Zinc coated impeller
- .Rotor and impeller : black paint



- U = Black
- V = Blue
- W = Brown
- PE = Green/yellow

Non contractual document. All specifications are subject to change without prior notice. Picture for information only.



2VREt45 300A

N38-A2



**DATA SHEET**

release. 0 - Revision 12-2014

Replace R10-30

**Data in accordance to ErP directive**

Voltage	400	V
Frequency	50	Hz
Power	0,188	kW <sup>(1)</sup>
Airflow	1787	m <sup>3</sup> /h <sup>(1)</sup>
Pressure	136	Pa <sup>(1)</sup>
Rotation speed	2490	RPM <sup>(1)</sup>

(1) at optimal efficiency point

	Actual	Request 2013	Request 2015
Overall efficiency ( $\eta$ )	35,8	25,1	29,1
Efficiency grade	47	36	40
Installation category	A		
Efficiency category	static		
Variable speed drive	No		
Specific ratio	1,00		

Designed for regular application according ErP directive EU 2009/125/EC

**Accessories**

-
-
39658
09172

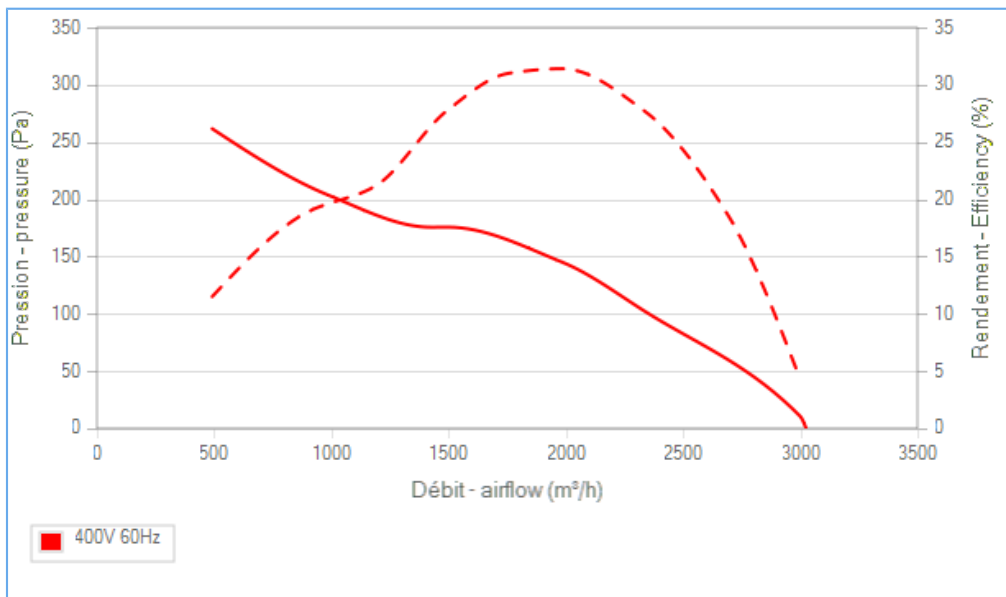
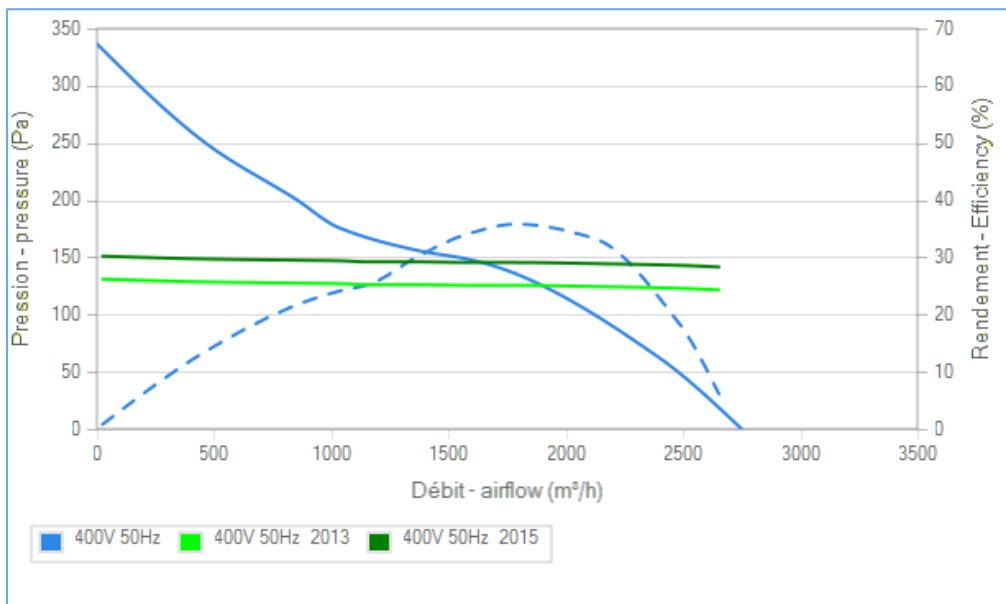
**Measurement setup**

16086 VIROLE V300 RONDE

**Documents**

Manuel d'utilisation  
[www.ecofit.com/site/normes](http://www.ecofit.com/site/normes)

Operating and recycling manual  
[www.ecofit.com/anglais/normes](http://www.ecofit.com/anglais/normes)



Non contractual document. All specifications are subject to change without prior notice. Picture for information only.

