

Type N & NL AC & DC operated



N40E-1



NE12E-1

A.C. operated

Contact configuration		Catalog number	List price
N.O.	N.C.		
4	0	N40E-84	\$ 60
3	1	N31E-84	
2	2	N22E-84	
4	4	N44E-84	120
5	3	N53E-84	
6	2	N62E-84	
7	1	N71E-84	
8	0	N80E-84	

Coil voltage selection

All AC operated catalog numbers include a 120VAC coil. All DC operated catalog numbers include a 110VDC coil. To select other coil voltages, substitute the code from the Coil Voltage Selection Chart for the first digit after the last dash in the catalog number.

Ex.: A 240V coil is required for an N80 control relay: N80E-80

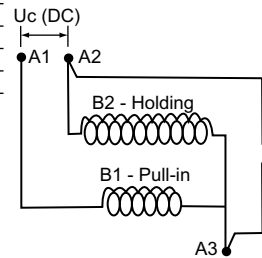
Coil voltage selection chart

Hz	Relay type	Volts																
		12	24	48	110	120	125	208	220	240	277	380	415	440	480	500	600	
60	N		81	83	84	84		34	36	80	42		86	86	51	53	55	
50	N		81	83	84			80				85	86			55		
DC	NE, NL	80	81	83	86		87	88	89									

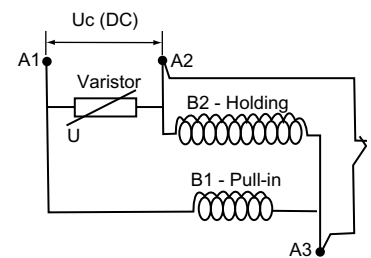
D.C. operated

Contact configuration		Catalog number	List price
N.O.	N.C.		
4	0	NL40E-86	\$ 72
3	1	NL31E-86	
2	2	NL22E-86	
4	4	NL44E-86 ①	144
5	3	NL53E-86 ①	
6	2	NL62E-86 ①	
7	1	NL71E-86	
8	0	NL80E-86	
1	2	NE12E-86	72
2	1	NE21E-86	
3	0	NE30E-86	
4	3	NE43E-86 ①	144
5	2	NE52E-86 ①	
6	1	NE61E-86 ①	
7	0	NE70E-86 ①	

Block diagrams for NE... contactor relay coil supply



Coil supply $U_c < 110$ VDC



Coil supply via built-in varistor $U_c \leq 110$ VDC

① NE43 – NE70 and NL44 – NL62 control relays cannot accept any front mounted auxiliary contact blocks.

General information

Type N, AC operated

Description

- AC operated with laminated magnetic circuit.
- 2 versions: 4 pole or 8 pole. The width of 8 pole devices is identical to that of 4 pole devices; only the depth is increased.
- Side by side mounting possible.
- Self cleaning auxiliary contacts.
- Alone or by itself or with a 4 pole CA5 auxiliary contact block, these devices offer "positive safety" between their auxiliary contacts.

Application

Type N control relays are used for switching auxiliary circuits and control circuits.

7

Holes for screw mounting (screws not supplied). Distances between holes according to EN50 002.

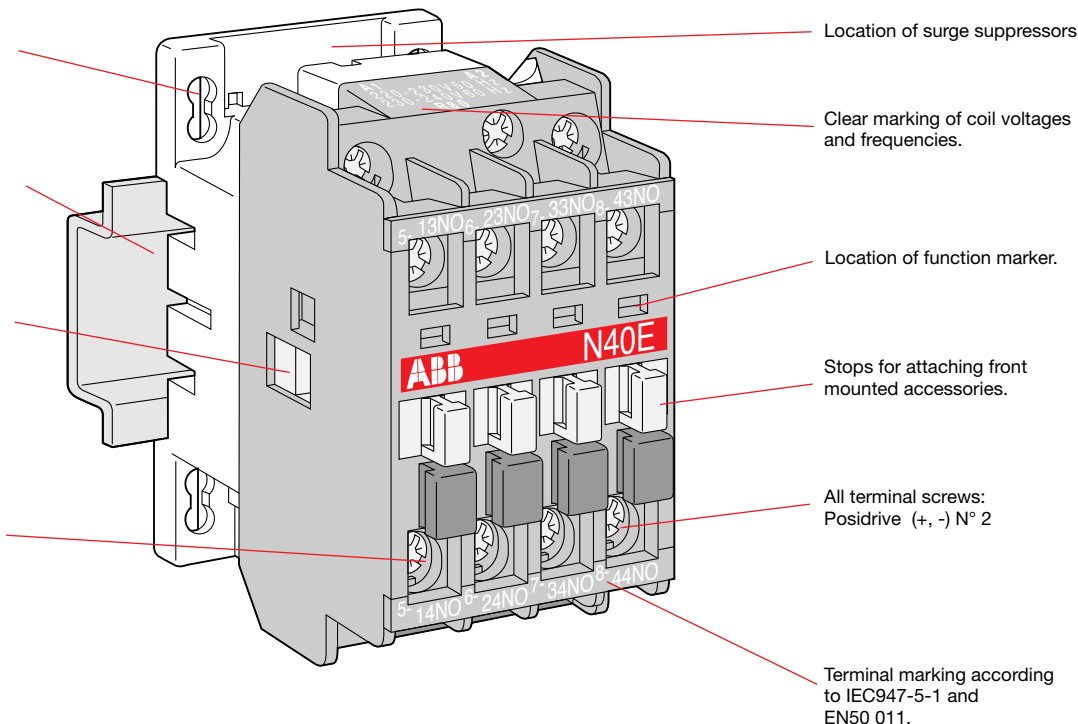
Quick mounting on 35 x 7.5mm DIN mounting rail according to IEC715 and EN50 022.

Location of side mounted accessories: mounting on right or left hand side.

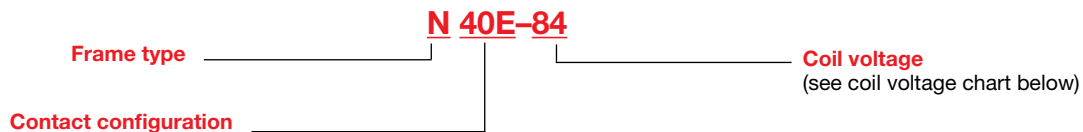
Terminals delivered in open position with captive screws (screws of unused terminals should be tightened).

Screwdriver guidance for all screws makes it possible to use motorized screwdrivers.

All terminals provide protection against accidental direct contact with live parts according to VDE0106 – Part. 100 and offer IP 20 degree of protection according to IEC947-1.



Catalog number explanation



Coil voltage selection chart

Hz	Relay type	Volts															
		12	24	48	110	120	125	208	220	240	277	380	415	440	480	500	600
60	N		81	83	84	84		34	36	80	42		86	86	51	53	55
50	N		81	83	84				80				85	86			55
DC	NE, NL	80	81	83	86		87		88	89							

General information

Type NL & TNL, DC operated

Type NL

Description

- Magnetic circuit variants: NL types: d.c. operated with solid magnetic circuits.
- 2 versions: 4 pole or 8 pole
- The width of 8 pole devices is identical to that of 4 pole devices; only the depth is increased.
- Bifurcated auxiliary contacts.
- Alone or mounted with a 4 pole CA5 auxiliary contact block, these devices offer "positive safety" between their auxiliary contacts.

Application

Type NL relays are used for switching auxiliary circuits and control circuits.

Type TNL

Description

- Magnetic circuit variants
 - NL types: D.C. operated with solid magnetic circuits.
 - TNL types: D.C. operated with solid magnetic circuit and large coil voltage range.
- 2 versions
 - 4-pole/1-stack or 8-pole/2-stack
 - The width of 8-pole devices is identical to that of 4 pole devices; only the depth is increased.
- Double sharp auxiliary contacts.
- Alone or mounted with a 4-pole CA 5 auxiliary contact block, these devices offer "positive safety" between their auxiliary contacts.

Application

Type NL and TNL control relays are used for switching auxiliary circuits and control circuits.

7

Location of surge suppressors.

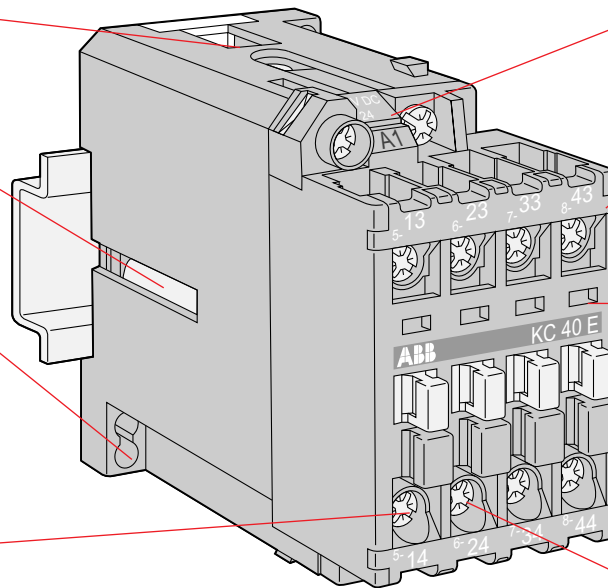
Quick mounting on 35 x 7.5mm or 35 x 15mm DIN mounting rail according to IEC947-5-1 and EN50022.

Holes for screw mounting (screws not supplied). Distances between holes according to EN50002.

Terminals delivered in open position with captive screws (screws of unused terminal should be tightened).

Screwdriver guidance for all screws makes it possible to use motorized screwdrivers.

All terminals provide protection against accidental direct contact with live parts according to VDE0106 – Part. 100.



Clear marking of coil voltages.

Terminal marking according to IEC947-5-1 and EN50 011.

Location of function marker and surge suppressor.

Stops for attaching front mounted accessories.

All terminal screws: M 3.5, posidrive (+,-) N° 2

Catalog number explanation

(T)NL 44E-84

Frame type

Coil voltage

(see coil voltage chart below.)

Contact configuration

Coil voltage selection chart

Hz	Relay type	Volts															
		12	24	48	110	120	125	208	220	240	277	380	415	440	480	500	600
60	N		81	83	84	84		34	36	80	42		86	86	51	53	55
50	N		81	83	84				80				85	86			55
DC	NE, NL	80	81	83	86		87		88	89							