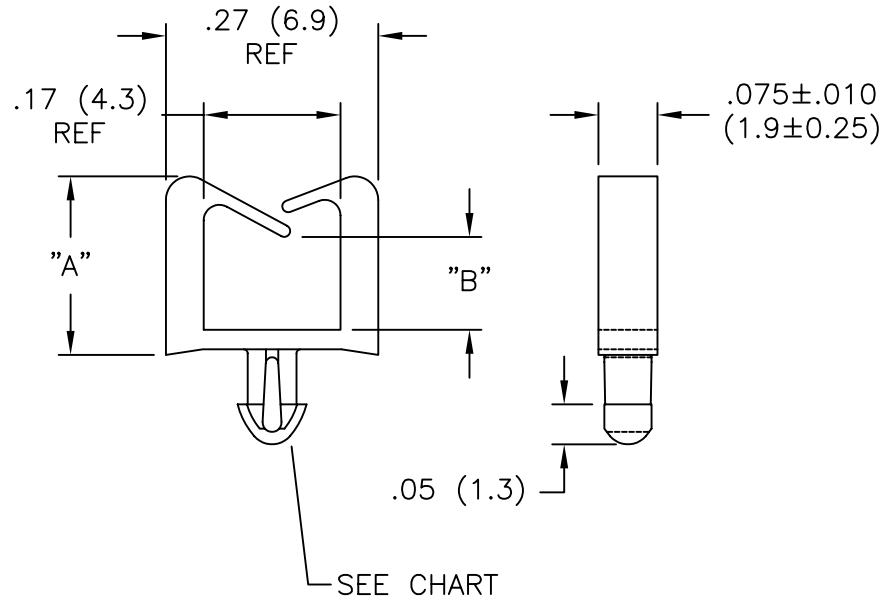
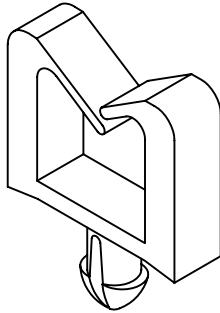


NYLON 6/6 (RMS-01) COLOR: NATURAL. PART NO.	FLAME RET. (RMS-19) COLOR: NATURAL. PART NO.	DIM. "A" REF.	DIM. "B" REF.	HOLE DIA.	PANEL THICKNESS
MWS-1-01	MWS-1-19	.23 (5.8)	.12 (3.0)	.070±.002 (1.75±0.05)	.062 (1.57)
MWS1-1-01	MWS1-1-19				.093 (2.36)
-----	MWS-2-19	.44 (11.2)	.33 (8.5)		.063 (1.60)
-----	MWS-3-19			.087 (2.20)	



TITLE: MICRO WIRE SADDLE			⊙	▭	DWG IN	QR		
E	UPDATED PRINT AND CHANGED FILE NO.	SM 05.29.01	TOLERANCES UNLESS NOTED	FILE #	DWN:	DT:	PART # S	PRINT TYPE
D	REVISED TABLE	J.L 07.26.00		MAT'L:	CHKD:	ENG:		
C	MAT'L RMS-19 ADDED	J.L 12.10.97		RE:	RICHCO INC.			
B	ADDED P/N MWS1 AND PUT IN CHART	JB 12.22.95		ENG@RICHCO-INC.COM				
A	CONVERTED TO ACAD	PB 10.21.94		(773) 539-4060				
REV	DESCRIPTION	ENGR DATE						