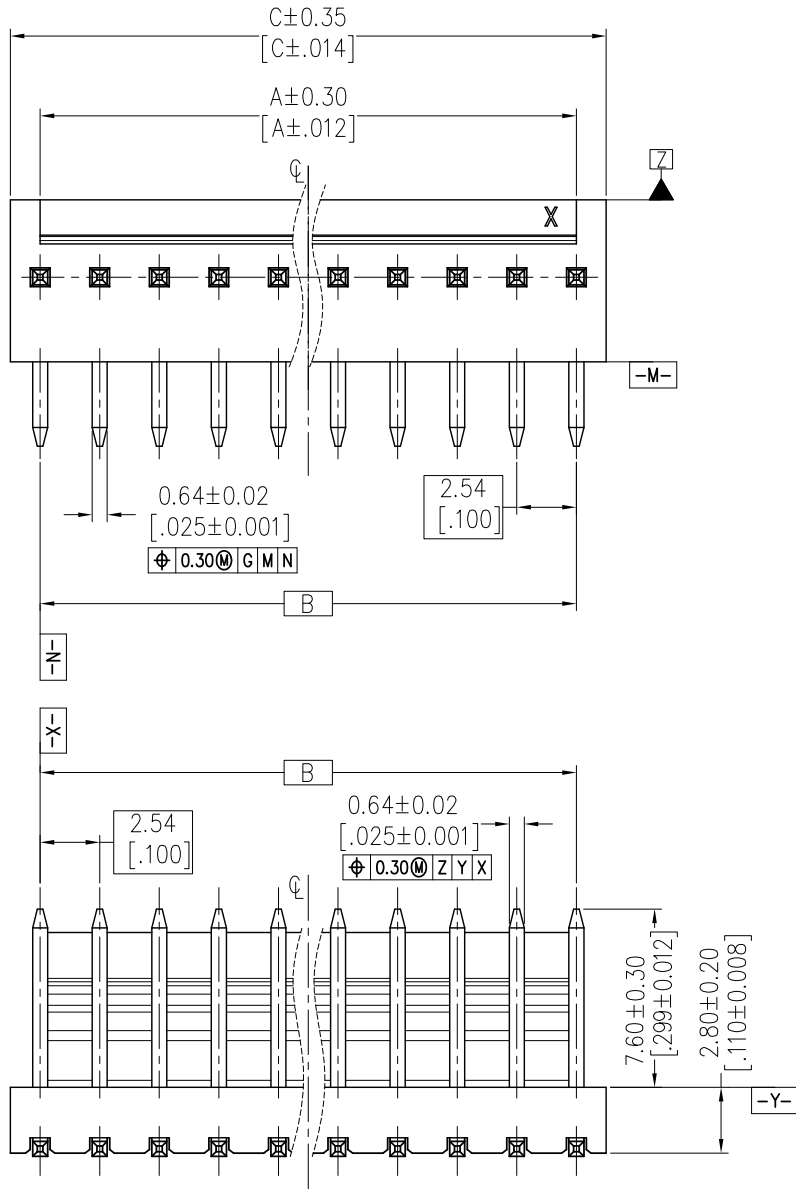
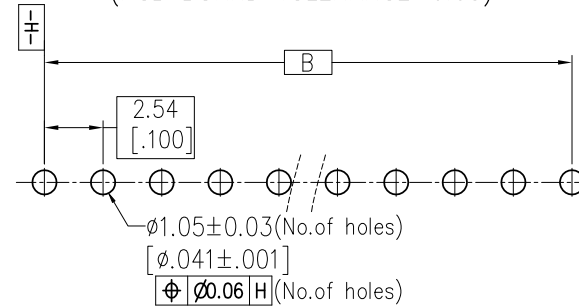


MAS-CON HEADER, Series 100, 2.54mm, 90° unbreakable, with locking, with polarization



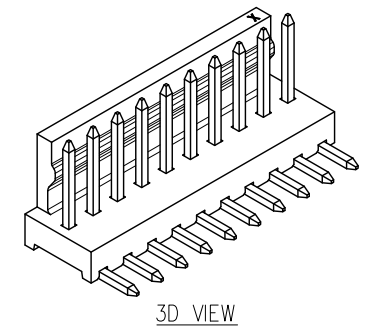
Recommended P.C.B Layout (Top Side)
(PCB BOARD TOLERANCE ± 0.05)



NOTES:

- Contact Resistance: 20m Ω max.
- Withstand Voltage: 2000V AC/minute
- Insulation Resistance: 1000M Ω min.
- Operation Temperature: -55°C to +105°C
- Contact Material: Brass
- Contact plating: Sn over Ni (Au on request)
- Insulator Material: PA66 (UL94V-0)

OPERATION	
X.X	± 0.40
X.XX	± 0.25
X.XXX	± 0.15
Angle	$\pm 3^\circ$
DIM	TOL

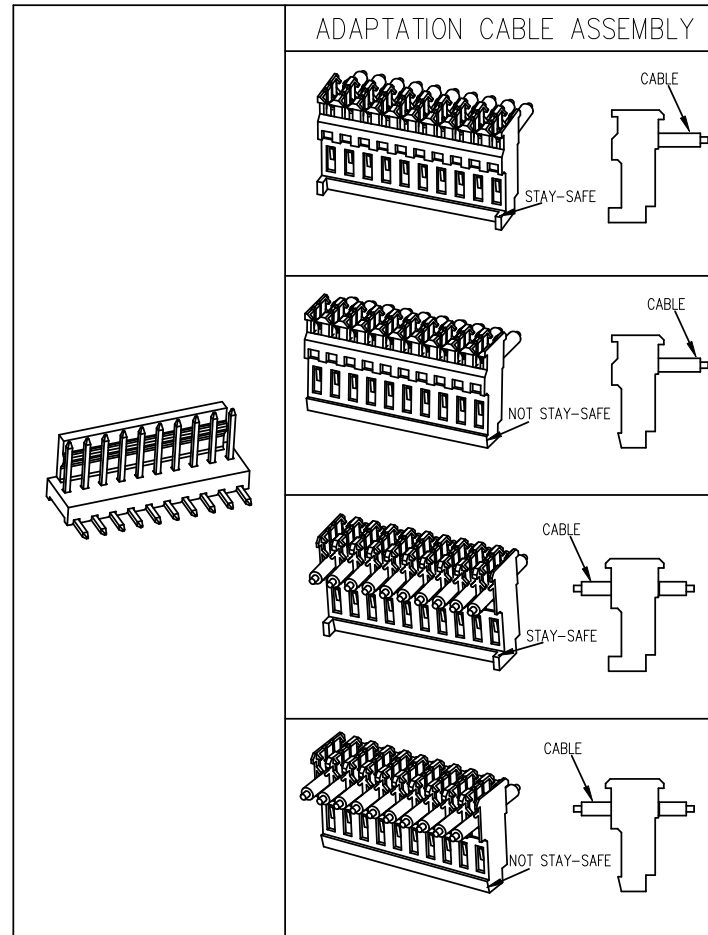
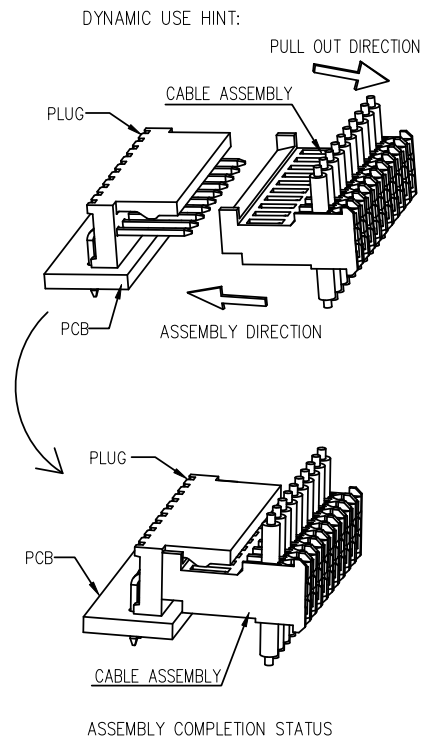


Sheet 1 of 2

REV	DATE	NOTE	NAME
3	25.08.2020	DRW revised	JAL
2	21.01.2020	comp. revised	LAD
1	26.11.2019	issued	LAD

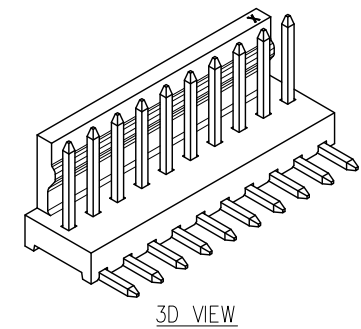
MAS-CON HEADER, Series 100, 2.54mm, 90° unbreakable, with locking, with polarization

ORDERING INFORMATION			
Part No.	DIM A	DIM B	DIM C
MUAS100-02- D_E	2,54	2,54	5,08
MUAS100-03- D_E	5,08	5,08	7,62
MUAS100-04- D_E	7,62	7,62	10,16
MUAS100-05- D_E	10,16	10,16	12,70
MUAS100-06- C_E	12,70	12,70	15,24
MUAS100-07- C_E	15,24	15,24	17,78
MUAS100-08- C_E	17,78	17,78	20,32
MUAS100-09- C_E	20,32	20,32	22,86
MUAS100-10- C_E	22,86	22,86	25,40
MUAS100-11- C_E	25,40	25,40	27,94
MUAS100-12- C_E	27,94	27,94	30,48
MUAS100-13- C_E	30,48	30,48	33,02
MUAS100-14- C_E	33,02	33,02	35,56
MUAS100-15- C_E	35,56	35,56	38,10
MUAS100-16- C_E	38,10	38,10	40,64
MUAS100-17- C_E	40,64	40,64	43,18
MUAS100-18- C_E	43,18	43,18	45,72
MUAS100-19- C_E	45,72	45,72	48,26
MUAS100-20- C_E	48,26	48,26	50,80
MUAS100-21- C_E	50,80	50,80	53,34
MUAS100-22- C_E	53,34	53,34	55,88
MUAS100-23- C_E	55,88	55,88	58,42
MUAS100-24- C_E	58,42	58,42	60,96
MUAS100-25- C_E	60,96	60,96	63,50
MUAS100-26- C_E	63,50	63,50	66,04
MUAS100-27- C_E	66,04	66,04	68,58
MUAS100-28- C_E	68,58	68,58	71,12
MUAS100-29- C_E	71,12	71,12	73,66
MUAS100-30- C_E	73,66	73,66	76,20
MUAS100-31- C_E	76,20	76,20	78,74
MUAS100-32- C_E	78,74	78,74	81,28
MUAS100-33- C_E	81,28	81,28	83,82
MUAS100-34- C_E	83,82	83,82	86,36
MUAS100-35- C_E	86,36	86,36	88,90
MUAS100-36- C_E	88,90	88,90	91,44



NOTES:
 Contact Resistance: 20mΩ max.
 Withstand Voltage: 2000V AC/minute
 Insulation Resistance: 1000MΩ min.
 Operation Temperature: -55°C to +105°C
 Contact Material: Brass
 Contact plating: Sn over Ni (Au on request)
 Insulator Material: PA66 (UL94V-0)

OPERATION	
X.X	±0.40
X.XX	±0.25
X.XXX	±0.15
Angle	± 3°
DIM	TOL



Sheet 2 of 2

REV	DATE	NOTE	NAME
3	25.08.2020	DRW revised	JAL
2	21.01.2020	comp. revised	LAD
1	26.11.2019	issued	LAD