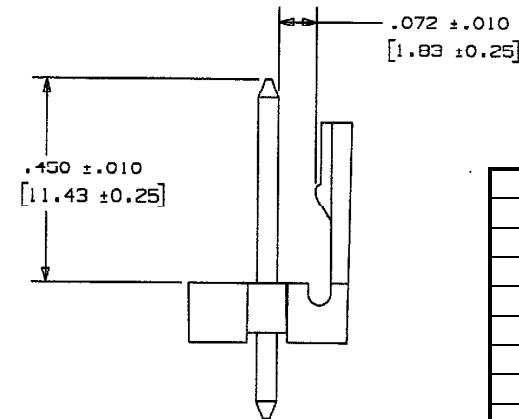
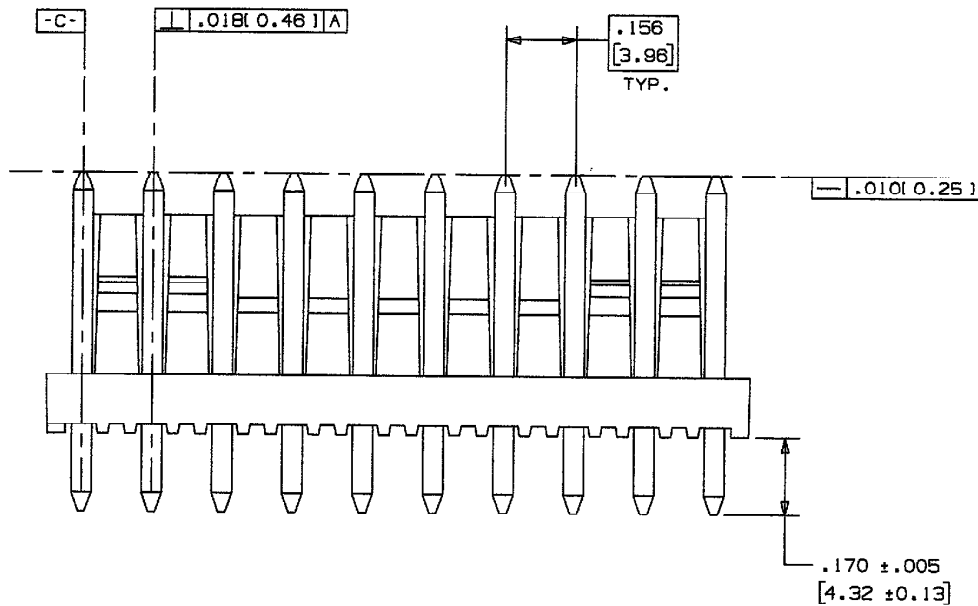
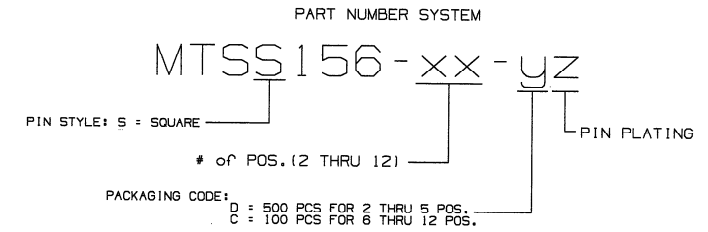
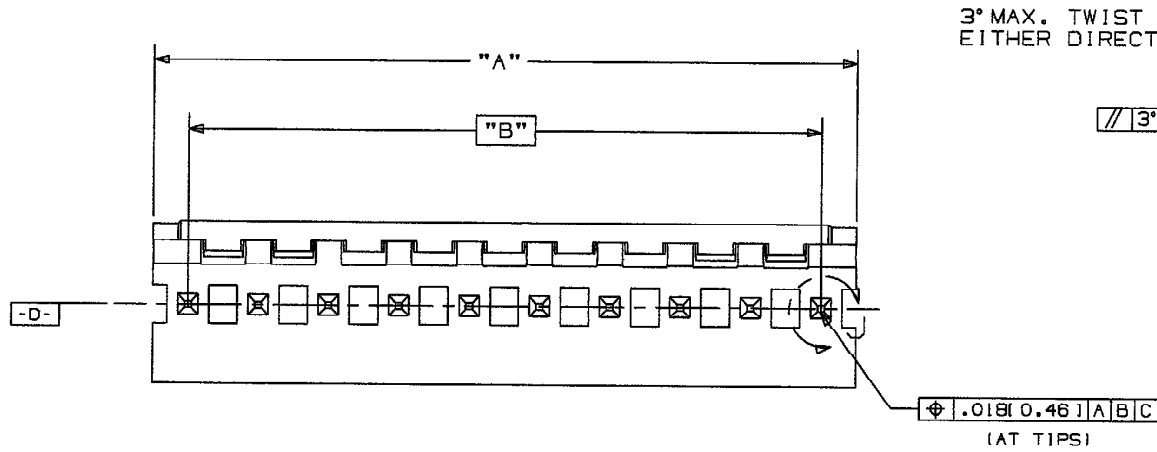


# MAS-CON HEADER, Series 156, 3,69mm, 180° unbreakable, with locking, with polarization



| # POS. | Dim. A        | Dim. B        |
|--------|---------------|---------------|
| 2      | 0,312 [7,92]  | 0,156 [3,96]  |
| 3      | 0,468 [11,89] | 0,312 [7,92]  |
| 4      | 0,624 [15,85] | 0,468 [11,89] |
| 5      | 0,780 [19,81] | 0,624 [15,85] |
| 6      | 0,936 [23,77] | 0,780 [19,81] |
| 7      | 1,092 [27,74] | 0,936 [23,77] |
| 8      | 1,248 [31,70] | 1,092 [27,74] |
| 9      | 1,404 [35,66] | 1,248 [31,70] |
| 10     | 1,560 [39,62] | 1,404 [35,66] |
| 11     | 1,716 [43,59] | 1,560 [39,62] |
| 12     | 1,872 [47,55] | 1,716 [43,59] |

| REV | DATE       | NOTE   | NAME |
|-----|------------|--------|------|
| 1   | 27.07.2020 | issued | JAL  |