

Modular Telephone Jack

8P8C Vertical

multicomp **PRO**

RoHS
Compliant



Specification:

Modular Connector Type	: RJ45 Jack
Configuration	: 1 Port
No. of Positions	: 8P8C
LAN Category	: Cat5, Cat5e
Orientation	: Vertical
Shielding	: Unshielded
Termination Type	: Through Hole

Material:

Insulator	: PBT, Rated UL 94V-0
Insulator Colour	: Black
Contacts	: Phosphor Bronze, .0137" [0.35mm] Thick Flat

Plating:

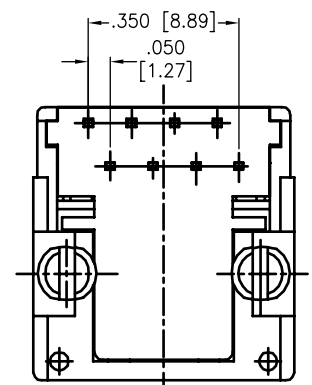
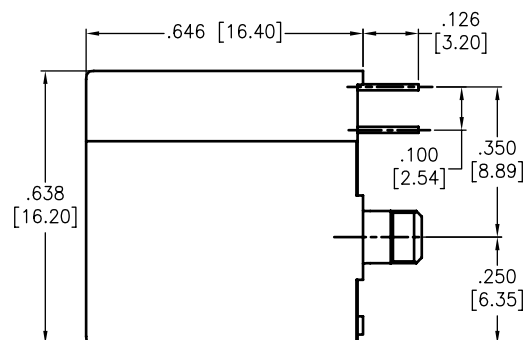
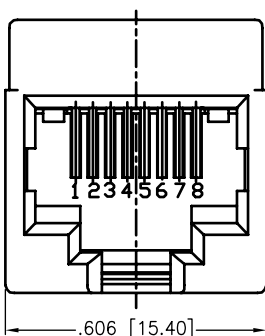
Gold over Nickel underplate on contact area,
Tin over Copper underplate on PCB tails

Electrical:

Operation Voltage	: 125V AC Max.
Current Rating	: 1.5A Max.
Contact Resistance	: 20mΩ Max.
Insulation resistance	: 1,000MΩ Min. @ 500V DC
Dielectric Withstanding Voltage	: 1,000V AC for 1 minute

Temperature Rating:

Operating Temperature	: -40°C to +85°C
-----------------------	------------------



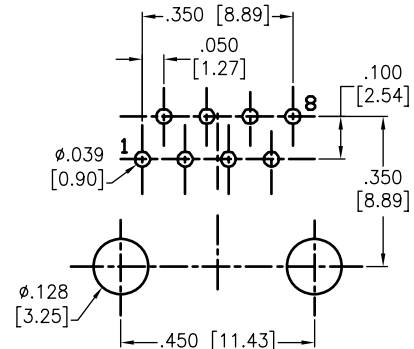
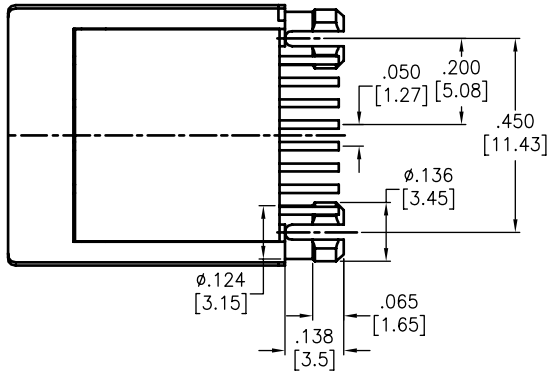
Dimensions : Inches (Millimeters)

Newark.com/multicomp-pro
Farnell.com/multicomp-pro
sg.element14.com/b/multicomp-pro

multicomp **PRO**

Modular Telephone Jack 8P8C Vertical

multicomp PRO



RECOMMENDED PCB LAYOUT

Dimensions : Inches (Millimeters)

Plating	
X	Gold Flash
0	15 μ " Gold
1	30 μ " Gold
2	50 μ " Gold

Part Number Table

Description	Part Number
RJ45 Modular Jack, 8P8C, Cat5/Cat5e	MTJ-88FX1

Important Notice : This data sheet and its contents (the "Information") belong to the members of the AVNET group of companies (the "Group") or are licensed to it. No licence is granted for the use of it other than for information purposes in connection with the products to which it relates. No licence of any intellectual property rights is granted. The Information is subject to change without notice and replaces all data sheets previously supplied. The Information supplied is believed to be accurate but the Group assumes no responsibility for its accuracy or completeness, any error in or omission from it or for any use made of it. Users of this data sheet should check for themselves the Information and the suitability of the products for their purpose and not make any assumptions based on information included or omitted. Liability for loss or damage resulting from any reliance on the Information or use of it (including liability resulting from negligence or where the Group was aware of the possibility of such loss or damage arising) is excluded. This will not operate to limit or restrict the Group's liability for death or personal injury resulting from its negligence. Multicomp Pro is the registered trademark of Premier Farnell Limited 2019.

Newark.com/multicomp-pro
Farnell.com/multicomp-pro
sg.element14.com/b/multicomp-pro

multicomp PRO