

Modular Telephone Jack

8Pos 1 Port



RoHS
Compliant



Specifications

Material:

Insulator : PBT, gloss reinforced, rated UL 94V-O
 Insulator colour : Black
 Contacts : Phosphor Bronze

Contacts Plating:

Round contact
 Gold over Nickel under plate overall
 Flat contact
 Gold over Nickel under plate on contact area,
 Tin over Nickel under plate on solder tails

Electrical:

Voltage rating : 150 V AC rms
 Current rating : 1.5 Amp
 Contact Resistance : 20mΩ max
 A Insulation resistance : 1000MΩ min. @ 500V DC

Dielectric withstanding voltage:

Contact to Contact : 1,000V DC or AC Peak for 1 minute
 Contact to Screen and Test panel : 1,500V DC or AC Peak for 1 minute

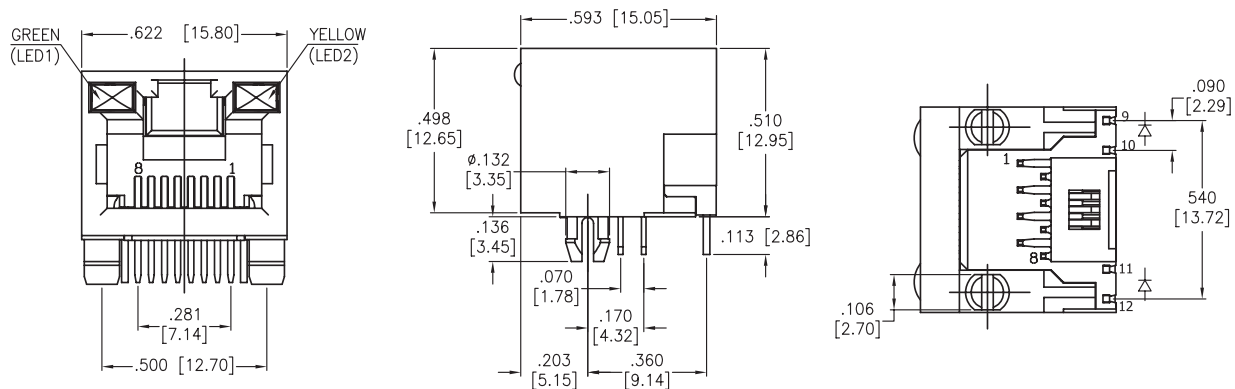
Temperature Rating:

Operating temperature : -40°C to +85°C

Environmental

Lead free

Diagram

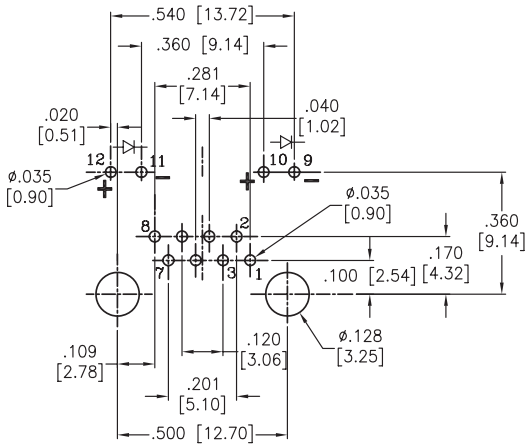


Dimensions : Inches (Millimetres)

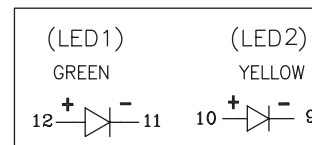
www.element14.com
www.farnell.com
www.newark.com



Modular Telephone Jack 8Pos 1 Port



RECOMMENDED PCB LAYOUT



Dimensions : Inches (Millimetres)

Part Number Table

Description	Part Number
Modular Telephone Jack, 8P8c, RJ45, Top Leds, No Shield	MTJ-88ARX1-LH

Important Notice : This data sheet and its contents (the "Information") belong to the members of the Premier Farnell group of companies (the "Group") or are licensed to it. No licence is granted for the use of it other than for information purposes in connection with the products to which it relates. No licence of any intellectual property rights is granted. The Information is subject to change without notice and replaces all data sheets previously supplied. The Information supplied is believed to be accurate but the Group assumes no responsibility for its accuracy or completeness, any error in or omission from it or for any use made of it. Users of this data sheet should check for themselves the Information and the suitability of the products for their purpose and not make any assumptions based on information included or omitted. Liability for loss or damage resulting from any reliance on the Information or use of it (including liability resulting from negligence or where the Group was aware of the possibility of such loss or damage arising) is excluded. This will not operate to limit or restrict the Group's liability for death or personal injury resulting from its negligence. Multicomp is the registered trademark of the Group. © Premier Farnell Limited 2016.

www.element14.com
www.farnell.com
www.newark.com

