

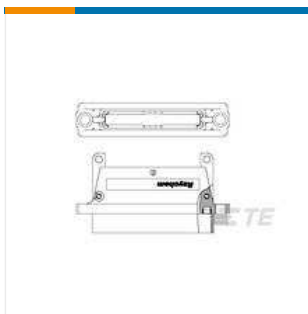


TE Connectivity: Every Connection Counts
© 2015 TE Connectivity Ltd. family of companies. All Rights Reserved

+ CONNECTORS



CONNECTOR HOUSINGS



TE CONNECTIVITY (TE)
MTC100-JH2-F34
MT1000 , MTC

CW8968-000
TE Internal Number: CW8968-000

[Not EU RoHS or ELV Compliant](#)
[Find Compliant Alternatives](#)

Connector Style **Receptacle**

✓ Active

↓ **PRODUCT DRAWING**
English

Product Drawings

[SHELL, PLUG AND RECEPTACLE MTC100 SERIES](#)

PDF
English

Please review product documents or [contact us](#) for the latest agency approval information. Please Note: Use the Product Drawing for all design activity.

Product Type Features

Connector Style

Receptacle

Applies To

Printed Circuit Board

Shell Size

50.8 [2.0]

Product Type

Connector

Product Compliance

[Statement of Compliance](#)
PDF

[VIEW ALL PRODUCT COMPLIANCE](#)