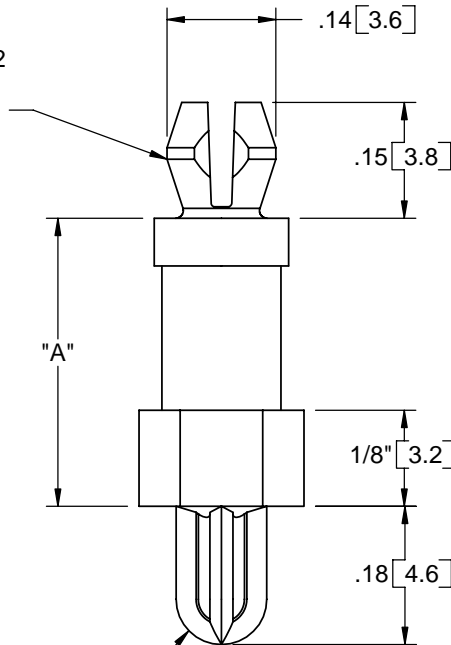
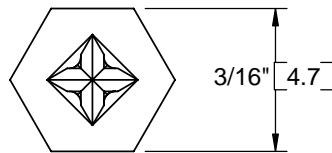


TO SNAP-FIT IN A $.125 \pm .002$ [3.18 ± 0.05] DIA. HOLE, IN A $.062$ [1.57] THICK BOARD



TO SELF-THREAD INTO A #4 OR M3 THREADED HOLE, WITH $.063$ [1.6] MINIMUM ENGAGEMENT



NOTES:
 1. MATERIAL: NYLON 6/6 (RMS-01).
 2. COLOR: NATURAL.

PART NO.	DIM. "A"
MSPMST-2-01	1/8 [3.2]
MSPMST-3-01	3/16 [4.8]
MSPMST-4-01	1/4 [6.4]
MSPMST-5-01	5/16 [7.9]
MSPMST-6-01	3/8 [9.5]
MSPMST-7-01	7/16 [11.1]
MSPMST-8-01	1/2 [12.7]
MSPMST-9-01	9/16 [14.3]
MSPMST-10-01	5/8 [15.9]

TITLE: **MINI SUPPORT POST, MICRO, SELF-THREADING**

A	RELEASED FOR PRODUCTION	SM 08/10/04
R E V	DESCRIPTION	ENGR. DATE

DWG IN IN [MM]

<small>CREATED USING SOLIDWORKS</small> <small>TOLERANCES UNLESS NOTED</small> <small>.XX=±.010</small> <small>.XXX=±.005</small> <small>FRAC.=±1/64</small> <small>ANG.=±1°</small>	FILE #: MSPMST SHEET: 1 OF 2 RE: RICHCO, INC.	SHEET SIZE: A DWN: SM/RT DT: 06/30/04	APP: RT CHKD: RDG	PRELIMINARY PART # SEE TABLE	PRINT TYPE CA
-----------------------------------------------------------------------------------------------------------------------------------------------------------------------------------------------------	-----------------------------------------------------	---------------------------------------------	----------------------	-------------------------------------------	-------------------------

RICHCO, INC.
 ENG@RICHCO-INC.COM
 (773) 539-4060