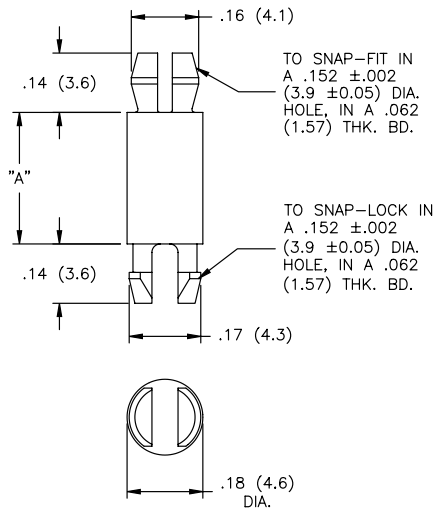
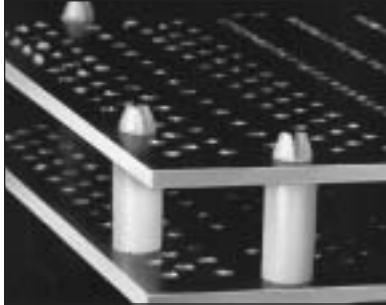


A

MSP

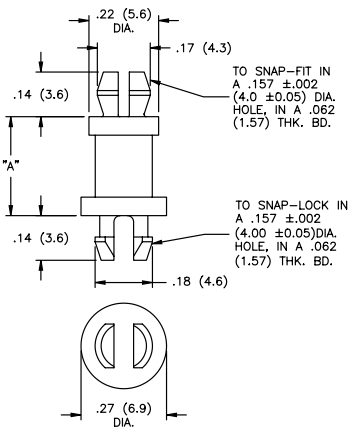
Miniature Support Post



Material: Nylon 6/6, RMS-01 Color: Natural Part Number	Material: Flame Retardant Nylon 6/6, RMS-19 Color: Natural Part Number	Standard Pack: 1,000 per bag "A" ± .015 (0.4)
MSP-2-01	MSP-2-19	1/8 (3.2)
MSP-3-01	MSP-3-19	3/16 (4.8)
MSP-4-01	MSP-4-19	1/4 (6.4)
MSP-5-01	MSP-5-19	5/16 (7.9)
MSP-6-01	MSP-6-19	3/8 (9.5)
MSP-7-01	MSP-7-19	7/16 (11.1)
MSP-8-01	MSP-8-19	1/2 (12.7)
MSP-9-01	MSP-9-19	9/16 (14.3)
MSP-10-01	MSP-10-19	5/8 (15.9)
MSP-11-01	MSP-11-19	11/16 (17.5)
MSP-12-01	MSP-12-19	3/4 (19.1)
MSP-13-01	MSP-13-19	13/16 (20.6)
MSP-14-01	MSP-14-19	7/8 (22.2)
MSP-16-01	MSP-16-19	1 (25.4)
MSP-18-01	MSP-18-19	1-1/8 (28.6)
MSP-20-01	MSP-20-19	1-1/4 (31.7)
MSP-22-01	MSP-22-19	1-3/8 (34.9)
MSP-24-01	MSP-24-19	1-1/2 (38.1)

MSPS

Miniature Support Post



Material: Nylon 6/6, RMS-01 Color: Natural	
Part Number	Standard Pack: 1,000 per bag "A" ± .015 (0.4)
MSPS-3-01	3/16 (4.8)
MSPS-4-01	1/4 (6.4)
MSPS-5-01	5/16 (7.9)
MSPS-6-01	3/8 (9.5)
MSPS-7-01	7/16 (11.1)
MSPS-8-01	1/2 (12.7)
MSPS-10-01	5/8 (15.9)
MSPS-11-01	11/16 (17.5)
MSPS-12-01	3/4 (19.1)
MSPS-14-01	7/8 (22.2)

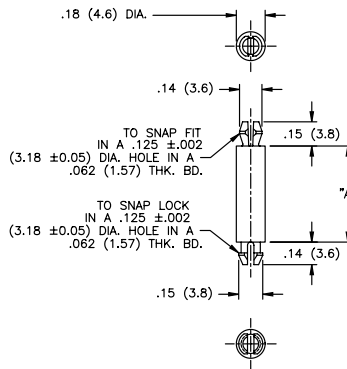
Part available in V-0 material as a standard. To order, replace -01 with -19.

Features

- Shoulder added to facilitate automated assembly and added stability

MSPM

Mini Support Post, Micro

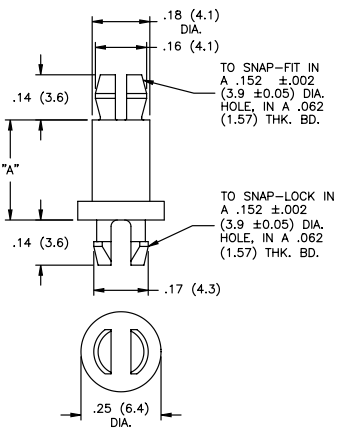


Material: Nylon 6/6, RMS-01 Color: Natural	
Part Number	Standard Pack: 1,000 per bag "A" ± .015 (0.4)
MSPM-2-01	1/8 (3.2)
MSPM-3-01	3/16 (4.8)
MSPM-4-01	1/4 (6.4)
MSPM-5-01	5/16 (7.9)
MSPM-6-01	3/8 (9.5)
MSPM-7-01	7/16 (11.1)
MSPM-8-01	1/2 (12.7)
MSPM-9-01	9/16 (14.3)
MSPM-10-01	5/8 (15.9)
MSPM-12-01	3/4 (19.1)
MSPM-13-01	13/16 (20.6)
MSPM-14-01	7/8 (22.2)
MSPM-16-01	1 (25.4)
MSPM-18-01	1-1/8 (28.6)
MSPM-20-01	1-1/4 (31.7)
MSPM-22-01	1-3/8 (34.9)
MSPM-24-01	1-1/2 (38.1)

Part available in V-0 material as a standard. To order, replace -01 with -19.

MSPE

Miniature Support Post



Material: Nylon 6/6, RMS-01 Color: Natural	
Part Number	Standard Pack: 1,000 per bag "A" ± .015 (0.4)
MSPE-3-01	3/16 (4.8)
MSPE-4-01	1/4 (6.4)
MSPE-5-01	5/16 (7.9)
MSPE-6-01	3/8 (9.5)
MSPE-7-01	7/16 (11.1)
MSPE-8-01	1/2 (12.7)
MSPE-10-01	5/8 (15.9)
MSPE-11-01	11/16 (17.5)
MSPE-12-01	3/4 (19.1)
MSPE-14-01	7/8 (22.2)

Part available in V-0 material as a standard. To order, replace -01 with -19.

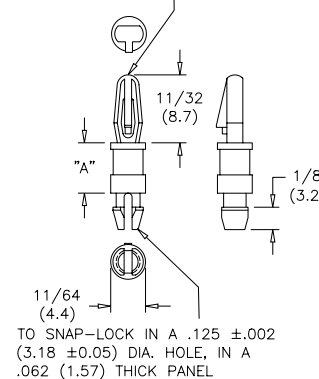
Features

- Shoulder added to facilitate automated assembly and added stability

LMSP

Locking Miniature Support Post

TO SNAP-LOCK IN A .125 ±.002 (3.18 ±0.05) DIA. HOLE, IN A .062 (1.57) THICK BOARD



Mat'l: Nylon 6/6, RMS-01 Color: Natural Part Number	Mat'l: Flame Ret. Nyl. 6/6, RMS-19 Color: Natural Part Number	Standard Pack: 1,000 per bag "A" ± .015 (0.4)
LMSP-2-01	LMSP-2-19	1/8 (3.2)
LMSP-3-01	LMSP-3-19	3/16 (4.8)
LMSP-4-01	LMSP-4-19	1/4 (6.4)
LMSP-5-01	LMSP-5-19	5/16 (7.9)
LMSP-6-01	LMSP-6-19	3/8 (9.5)
LMSP-7-01	LMSP-7-19	7/16 (11.1)
LMSP-8-01	LMSP-8-19	1/2 (12.7)
LMSP-9-01	LMSP-9-19	9/16 (14.3)
LMSP-10-01	LMSP-10-19	5/8 (15.9)
LMSP-12-01	LMSP-12-19	3/4 (19.1)
LMSP-14-01	LMSP-14-19	7/8 (22.2)