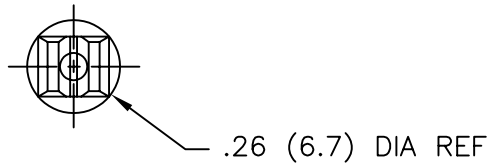


TO FIT IN A  $.169 \pm .003$  (4.3 ± 0.08) SQUARE HOLE IN A  $.063$  (1.6) THICK PANEL



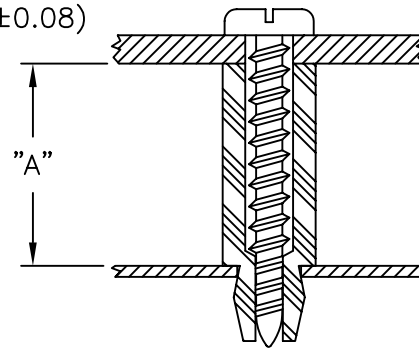
ENGLISH

| PART NO.   | "A"<br>$\pm .015$ ( $\pm 0.4$ ) |
|------------|---------------------------------|
| MSNE-2-01  | 1/8 (3.18)                      |
| MSNE-3-01  | 3/16 (4.8)                      |
| MSNE-4-01  | 1/4 (6.35)                      |
| MSNE-5-01  | 5/16 (7.94)                     |
| MSNE-6-01  | 3/8 (9.5)                       |
| MSNE-8-01  | 1/2 (12.7)                      |
| MSNE-10-01 | 5/8 (15.9)                      |
| MSNE-12-01 | 3/4 (19.1)                      |
| MSNE-16-01 | 1 (25.4)                        |

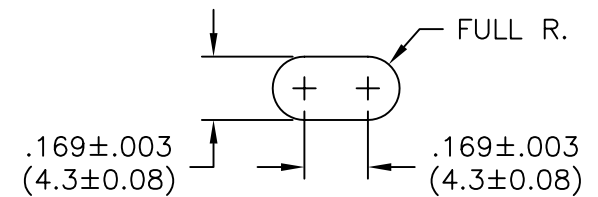
METRIC

| PART NO.    | "A" ± 0.4 |
|-------------|-----------|
| MSNE-4M-01  | 4.0       |
| MSNE-6M-01  | 6.0       |
| MSNE-8M-01  | 8.0       |
| MSNE-10M-01 | 10.0      |
| MSNE-12M-01 | 12.0      |

TYPICAL ASSEMBLY



OPTIONAL MOUNTING HOLE



NOTES:

1. MATERIAL: NYLON 6/6 (RMS-01).  
FLAME RETARDANT NYLON (RMS-19),  
AVAILABLE BY SPECIAL ORDER ONLY.
2. COLOR: NATURAL.
3. ACCEPTS NO. 4AB SELF TAPPING SCREW.

|                      |                                    |              |                      |  |      |                     |                  |
|----------------------|------------------------------------|--------------|----------------------|--|------|---------------------|------------------|
| TITLE: STAND-OFF NUT |                                    |              | DWG IN IN (MM) FINAL |  |      |                     |                  |
| E                    | SEE ECN #549 FOR CHANGES           | SM 12.20.02  | FILE # MSNE          | DWN: P.B.  | APP: | PART #<br>SEE TABLE | PRINT TYPE<br>CA |
| D                    | UPDATED PRINT AND CHANGED FILE NO. | SM 10.08.01  | MAT'L: SEE NOTES     | DT: 04-06-94   | DT:  |                     |                  |
| C                    | DIM "A" ON METRIC CHART CORRECTED  | J.L. 1.27.99 | RE: RICHCO, INC.     | RICHCO INC.<br>PO BOX 804238, CHICAGO, 60680<br>(773) 539-4060 |      |                     |                  |
| B                    | METRIC SERIES ADDED                | J.L. 7.17.98 |                      |  |      |                     |                  |
| A                    | MSNE-16-01 ADDED                   | J.L. 2.18.98 |                      |  |      |                     |                  |
| REV                  | DESCRIPTION                        | ENGR DATE    |                      |  |      |                     |                  |

TOLERANCES UNLESS NOTED  
.XX = ±.010  
.XXX = ±.005  
FRAC = ±1/64  
ANG = ±1°