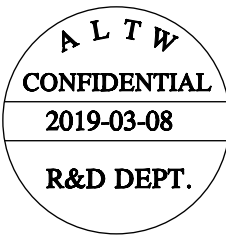
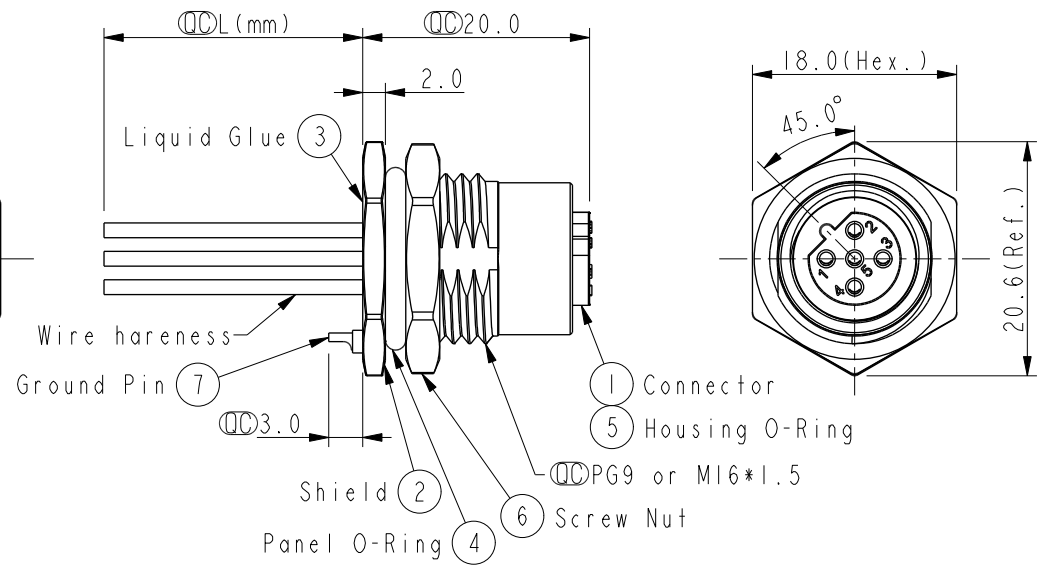
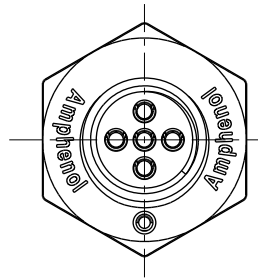
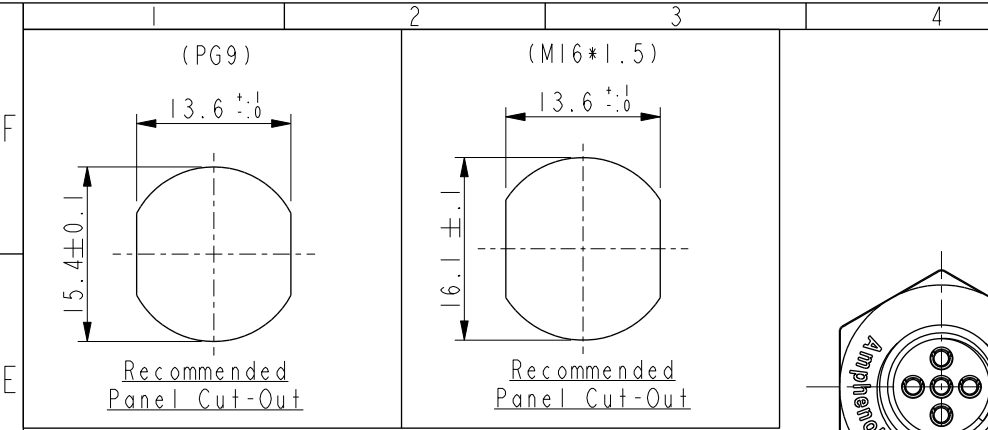
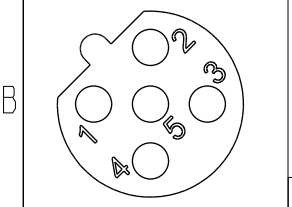


THIS DOCUMENT IS SUBJECT TO CHANGE WITHOUT NOTICE. IT IS CONFIDENTIAL AND A PROPERTY OF Amphenol LTW. DISCLOSURE TO THIRD PARTY HAS TO BE AUTHORIZED BY Amphenol LTW.

REV.	ECN NO.	DATE	SIGN	DESCRIPTION
A		2019-03-08	Allen Pan	



5	Gray	灰
4	Black	黑
3	Blue	藍
2	White	白
1	Brown	棕
Pin #	Wire	
	Pin Out	



M SBS - 05 P F F C - S F 8 X XX

SBS: B-Code  
 Shielded  
 05: 5 Pin  
 P: Panel (板端)  
 F: Female Connector (母座)  
 F: Female Pin (母Pin)  
 C: Crimp Type (打端式)  
 S: Screw (螺紋式)

15: 150mm  
 30: 300mm  
 50: 500mm  
 A0: 1000mm  
 A5: 1500mm  
 Wire Length (L): 150~1500mm

B: PG9  
 C: M16\*1.5

8: IP68 (防水等級68)

F: Front Fasten (前鎖式/Enclosure Rear Mount)

- Note:
- \*  $\varnothing$  Important Dimension.
  - \* Waterproof Rate: IP68.
  - \* Housing: Nylon+GF, Black.
  - \* Female Pin: Copper Alloy, Gold Plated.
  - \* Shield: Zinc Alloy, Nickel Plated.
  - \* Screw Nut: Zinc Alloy, Nickel Plated.
  - \* Panel O-Ring: Viton, Black.
  - \* Housing O-Ring: Viton, Green.
  - \* Wire harness: UL1061
  - \* Rated Voltage: 60V dc. or ac.
  - \* Rated Current: 4A
  - \* Operating Temperature: -25~85°C
  - \* For Panel Thickness Max 4.5mm.
  - \* Recommended Nut Torque: 4-6 Kgf.cm.
  - \* Wire harness Tolerance: 150~300 ±15mm  
 301~1000 ±20mm  
 Over 1000 ±40mm

5P	UL1061	22	MSBS-05PFFC-SF8BXX MSBS-05PFFC-SF8CXX
Contacts	Wire harness	AWG	Item No.

UNIT: mm		TITLE M12 B-Code Female Conn. Panel Front With Wire harness Shielded
TOLERANCE .X ±0.25 .XX ±0.1 .XXX ±0.05 ANGLES ±1°	SCALE 3:2	SIZE A4
	REV. A	WC-REV. A.1
		$\varnothing$ : Inspection item

**Amphenol LTW**  
 安費諾亮泰企業股份有限公司

ITEM NO.	DRAWN BY	DATE
	Allen Pan	2019-03-08
DWG NO.	CHECKED BY	DATE
MSBS-05PFFC-SF8XXX	Fred Lee	2019-03-08
CUSTOMER	APPROVED BY	DATE
ALTW	Fred Lee	2019-03-08